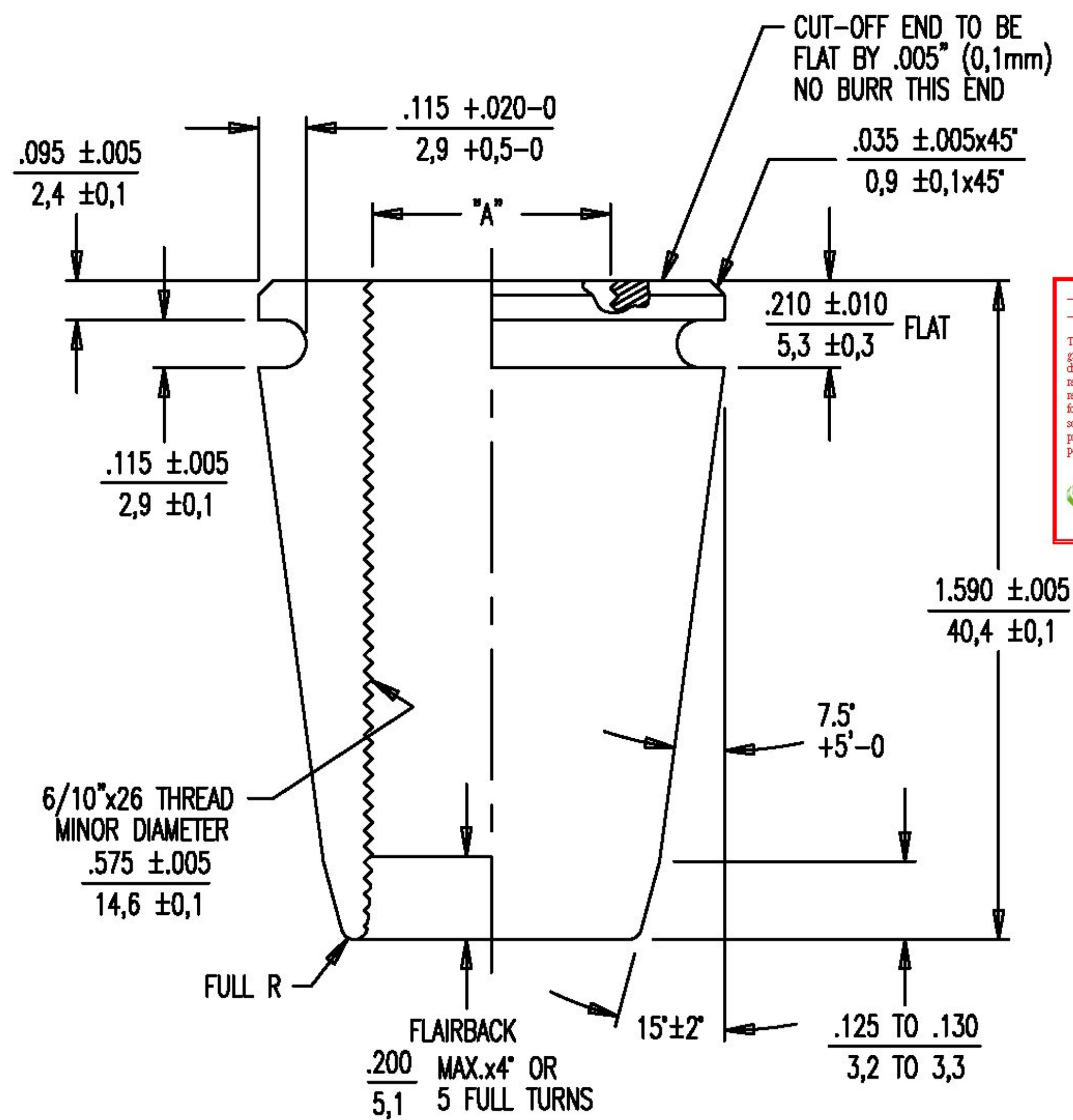


- NOTES:  
 1. PART TO BE PROTECTED FROM CORROSION BY USING APPROPRIATE TYPE OF OIL.  
 2. SURFACE FINISH  $R_a = 125 \mu\text{IN}$ .



Vermont Agency of Transportation  
**RECEIVED**  
 ON: June 12, 2014  
 and Checked for  
**CONFORMANCE**  
 BY: Rob Young DATE: 6/17/2014

Approved  Rejected   Approved As Noted

This review is only for general conformance with the design concept and the information given in the Construction Documents. Corrections or comments made on the shop drawings during the review do not relieve the Contractor from compliance with the requirements of the Plans and Specifications. Review of a specific item shall not include review of an assembly of which an item is a component. The Contractor is responsible for dimensions to be confirmed and corrected at the job site; information that pertains solely to the fabrication process or to the means, methods, techniques, sequences and procedures of construction, coordination of the Work with that of other trades and performing all Work in a safe and satisfactory manner.

Date: 6/13/2014  
 By: D. Kull

McFarland Johnson

PART NO.	DESCRIPTION
304606	UNCOATED
304609	ZINC PLATED

DYWIDAG POST-TENSIONING SYSTEMS		DIMENSIONS: INCH/mm mm FOR REFERENCE ONLY		Q.A.		QUALITY PLAN NUMBER: QS00072010S		PART NUMBER 304606 304609	
0.6" 2-PART WEDGE, 1.6" LONG WITH O-RING GROOVE FOR MONOSTRAND				WEIGHT .18 LBS.		REV. DATE NAME			
DATE: 03-05-97 DWG: G. MALECKI CHK: H.K. APP: K.S.				SCALE 2:1		1 08-29-97 A.W. PB-105			
This drawing, the pertinent enclosures, descriptions, calculations etc. and their contents are the property of DYWIDAG SYSTEMS INTERNATIONAL, USA, INC. They are not allowed to be duplicated without our permission. They are also not to be shown or explained for any reason to a third party other than for reasons expressly intended by the original receiver. They have to be returned on request.		MATERIAL: C12L14 1-1/8" ROUND						DRAWING NUMBER 304606	
DYWIDAG-SYSTEMS INTERNATIONAL, USA, INC.									