

DECK PLAN

1- EXTEND BOTTOM LONGITUDINAL BARS INTO BACKWALL 2'-9" (SIMILAR TO TOP LONGITUDINAL BARS)

2- PBU TRANSVERSE BARS DO NOT CONTINUE INTO ABUTMENT CLOSURE POUR SEE SHEET 25

Approved As Noted

Approved Rejected

This review is only for general conformance with the design concept and the information given in the Construction Documents. Corrections or comments made on the shop drawings during the review do not relieve the Contractor from compliance with the requirements of the Plans and Specifications. Review of a specific item shall not include review of an assembly of which an item is a component. The Contractor is responsible for dimensions to be confirmed and corrected at the job site; information that pertains solely to the fabrication process or to the means, methods, techniques, sequences and procedures of construction; coordination of the Work with that of other trades and performing all Work in a safe and satisfactory manner.

Date: 5/29/2014

McFarland Johnson

By: D. Kull

Vermont Agency of Transportation

RECEIVED

ON: May 23, 2014

and Checked for CONFORMANCE

BY: Rob Young DATE: 05/30/2014

ALL DUAL COATED REINF. DENOTED (Z)

LEGEND:

CONT.-CONTINUOUS
 TRANS.-TRANSVERSE
 DWLS.-DOWELS
 VERTS.-VERTICAL
 HORIZ.-HORIZONTAL
 T&B -TOP & BOTTOM
 I.F.-INNER FACE
 O.F.-OUTER FACE
 E.E.-EACH END
 F.F.-FRONT FACE
 R.F.-REAR FACE
 E.W.-EACH WAY
 O.C.-ON CENTER
 L.W.-LONG WAY
 S.W.-SHORT WAY

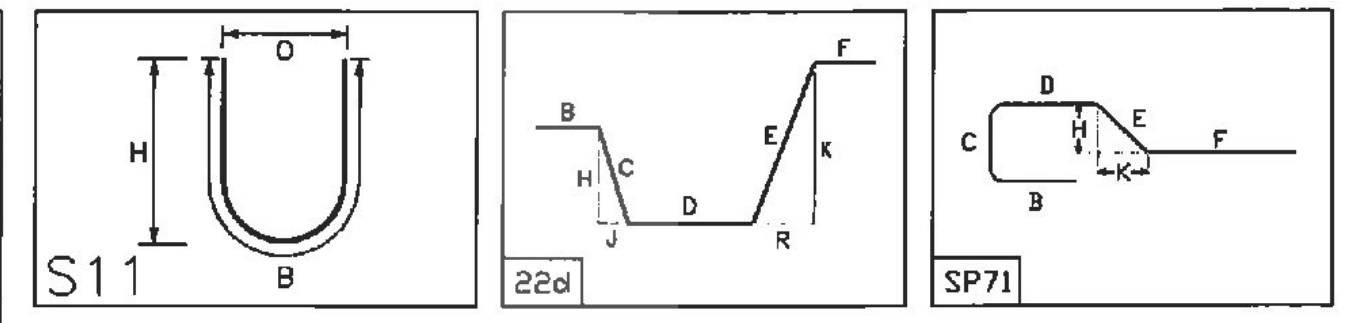
NOTES:

MIN. LAP FOR LONGITUDINAL #5 BARS = 1'-9"

FOR APPROVAL

Release Number: 006

BAR LIST																
Bar Mark	Qty	Size	Total Length	Type	'A'	'B'	'C'	'D'	'E'	'F'	'G'	'H'	'J'	'K'	'O'	'R'
4BZ01	1158	#4	6'-8 1/2"	S11		6'-8 1/2"						3'-3"			0'-4 1/2"	
5BZ01	72	#5	9'-0"	22D			2'-0"	5'-9"	1'-3"			1'-5"	1'-5"	0'-10 1/4"		0'-10 1/4"
6BZ01	386	#6	6'-7 1/2"	SP71		1'-3"	0'-7 1/2"	1'-2 1/4"	0'-4 1/4"	3'-2"		0'-3"		0'-3"		



ELEVATIONS & DIMENSIONS SHOWN ON THIS DWG ARE FOR REINF. DETAILING PURPOSES ONLY AND ARE NOT INTENDED FOR CONSTRUCTION

REINF. BARS ASTM A615 GRADE 60 DUAL COATED

VERIFICATION OF UNCLEAR INFORMATION MAY BE REQUESTED ON THIS DRAWING. SHOULD VERIFICATION BE LEFT UN-ADDRESSED IT WILL REMAIN AS SHOWN AND ASSUME TO BE CORRECT.

Vermont Agency of Transportation

RECEIVED

ON: April 11, 2014

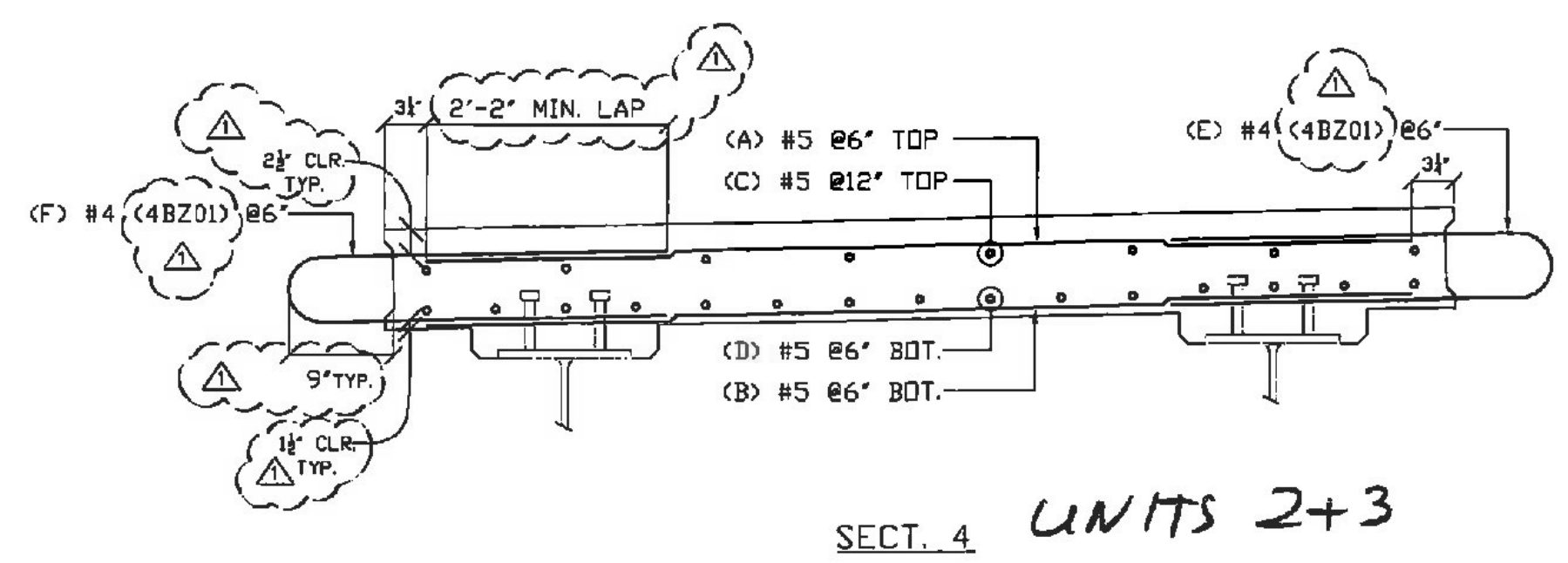
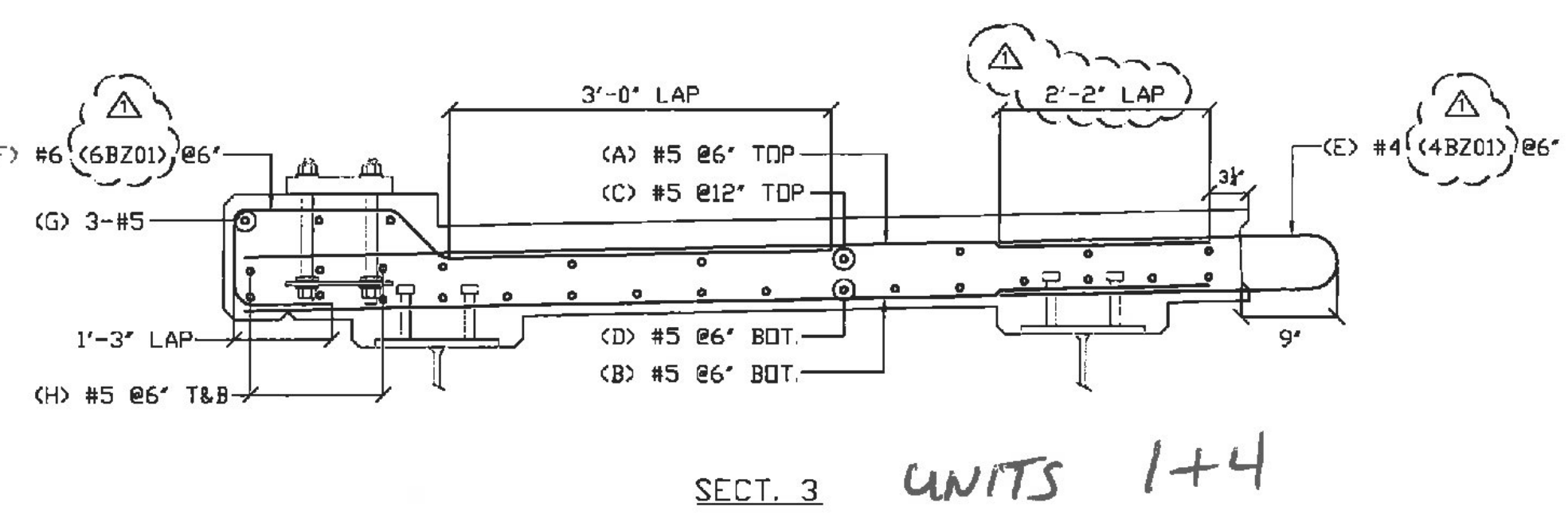
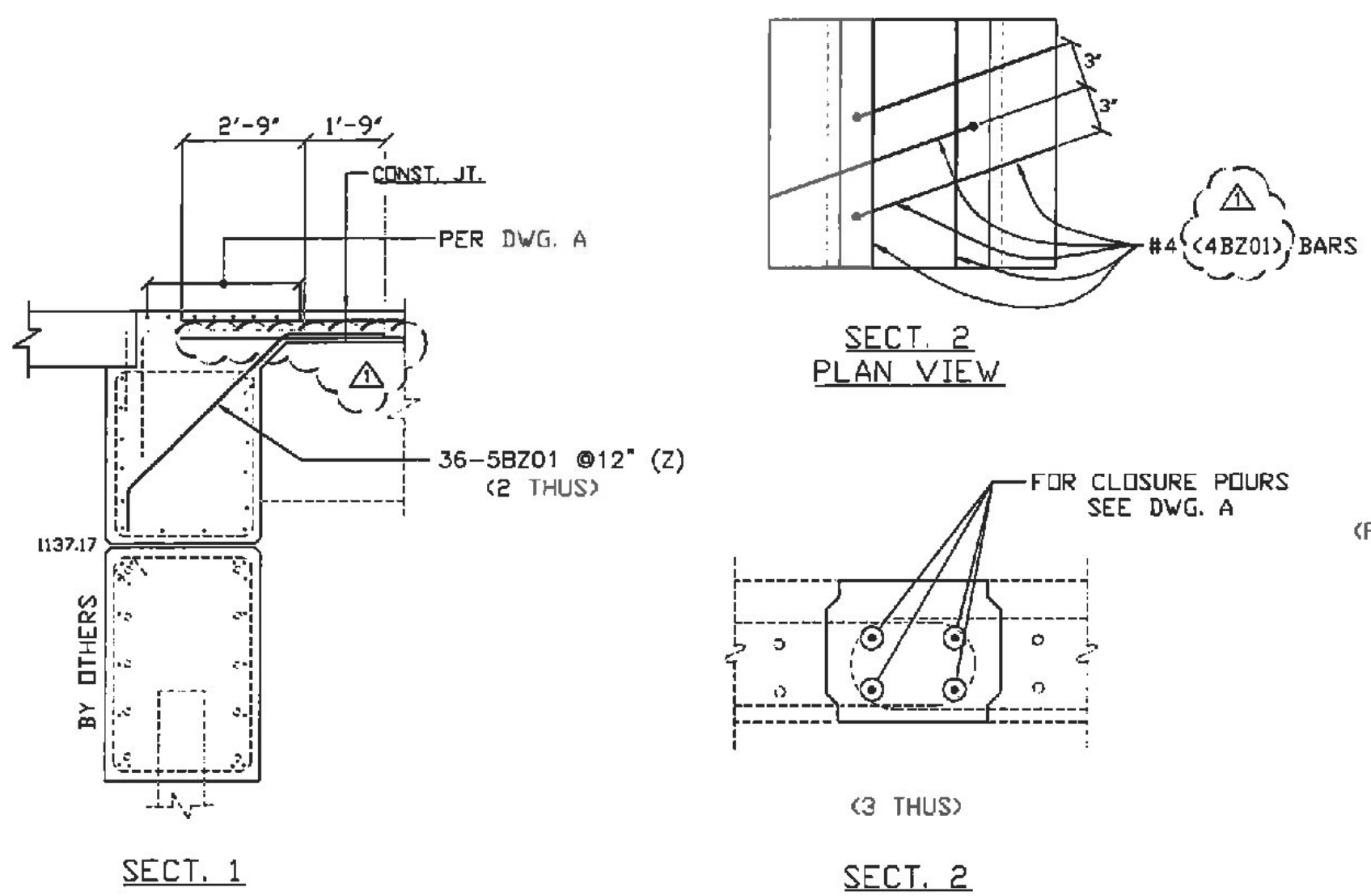
and Checked for CONFORMANCE

BY: Rob Young DATE: 04/15/2014

Date: 4/14/2014

McFarland Johnson

By: D. Kull



DATE	REV.#	SENT FOR
4-10-14	1	REVISED/ENG.COM/FDR APPROVAL
3-3-14	2	FDR APPROVAL

DIMENSION
 DIMENSION FABRICATORS INC.
 3000 PTH STREET
 BRUNSWICK, VT 05202
 TEL: (802) 254-1234
 FAX: (802) 254-1235
 WWW.DIMENSIONFABRICATORS.COM

STRUCTURE: VT/AOT WARREN BRIDGE 013-4(32)

LOCATION: BRIDGE 166 ROUTE 100 (MINOR ARTERIAL) WARREN, VT

DRAWN BY: LUCK BROTHERS INC.

DATE: 3/3/14

DT: 8747

PRE-FAB BRIDGE UNITS DUAL COATED REINFORCING

DRAWING # B