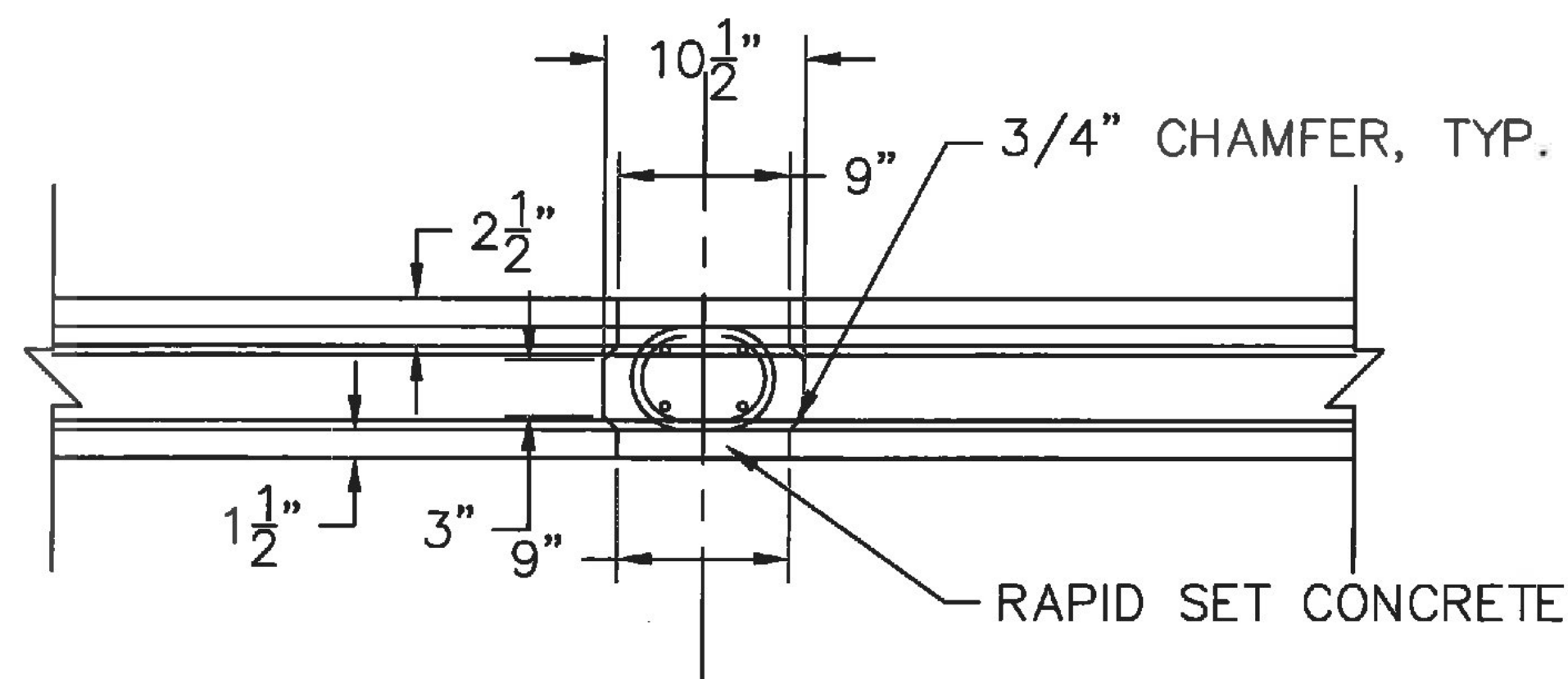
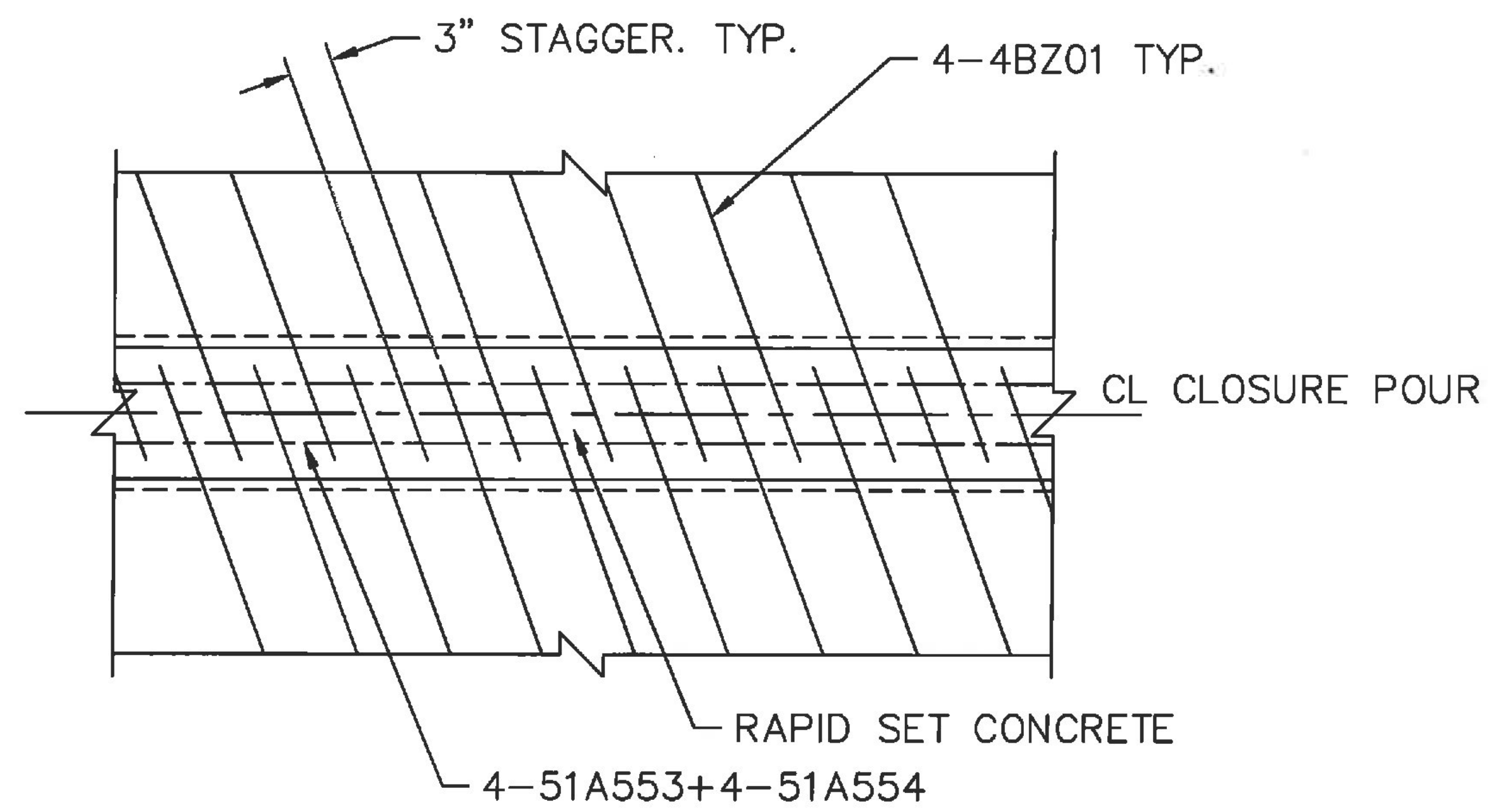


ROBERT M. SUTHERLAND, P
 ENGINEERS-SURVEYORS-MATERIAL TESTI
 PLATTSBURGH NEW YORK



CLOSURE POUR SECTION



CLOSURE POUR PLAN

REV	REVISION	DATE
1	PER REVIEWER COMMENTS	05/22/14

REVISIONS

PROJECT
 WARREN BRIDGE
 013-4(32)
 VT ROUTE 100
 WARREN, VT

CLIENT
 LUCK BROTHERS, INC.
 TRADE ROAD
 PLATTSBURGH, NY 12901

SHEET TITLE
 PRE-CAST BRIDGE UNIT
 CLOSURE POUR DETAILS

DRAWN BY: KTW
 CHECKED BY: TL
 DATE: 04/28/14
 SHEET NO: 4

Vermont Agency of Transportation
RECEIVED
 ON: May 23, 2014
 and Checked for
CONFORMANCE
 BY: Rob Young DATE: 05/30/2014

<input type="checkbox"/> Approved	<input checked="" type="checkbox"/> Approved As Noted
<input type="checkbox"/> Rejected	

This review is only for general conformance with the design concept and the information given in the Construction Documents. Corrections or comments made on the shop drawings during the review do not relieve the Contractor from compliance with the requirements of the Plans and Specifications. Review of a specific item shall not include review of an assembly of which an item is a component. The Contractor is responsible for dimensions to be confirmed and corrected at the job site; information that pertains solely to the fabrication process or to the means, methods, techniques, sequences and procedures of construction; coordination of the Work with that of other trades and performing all Work in a safe and satisfactory manner.

Date: 5/29/2014
 By: D. Kull

McFarland Johnson