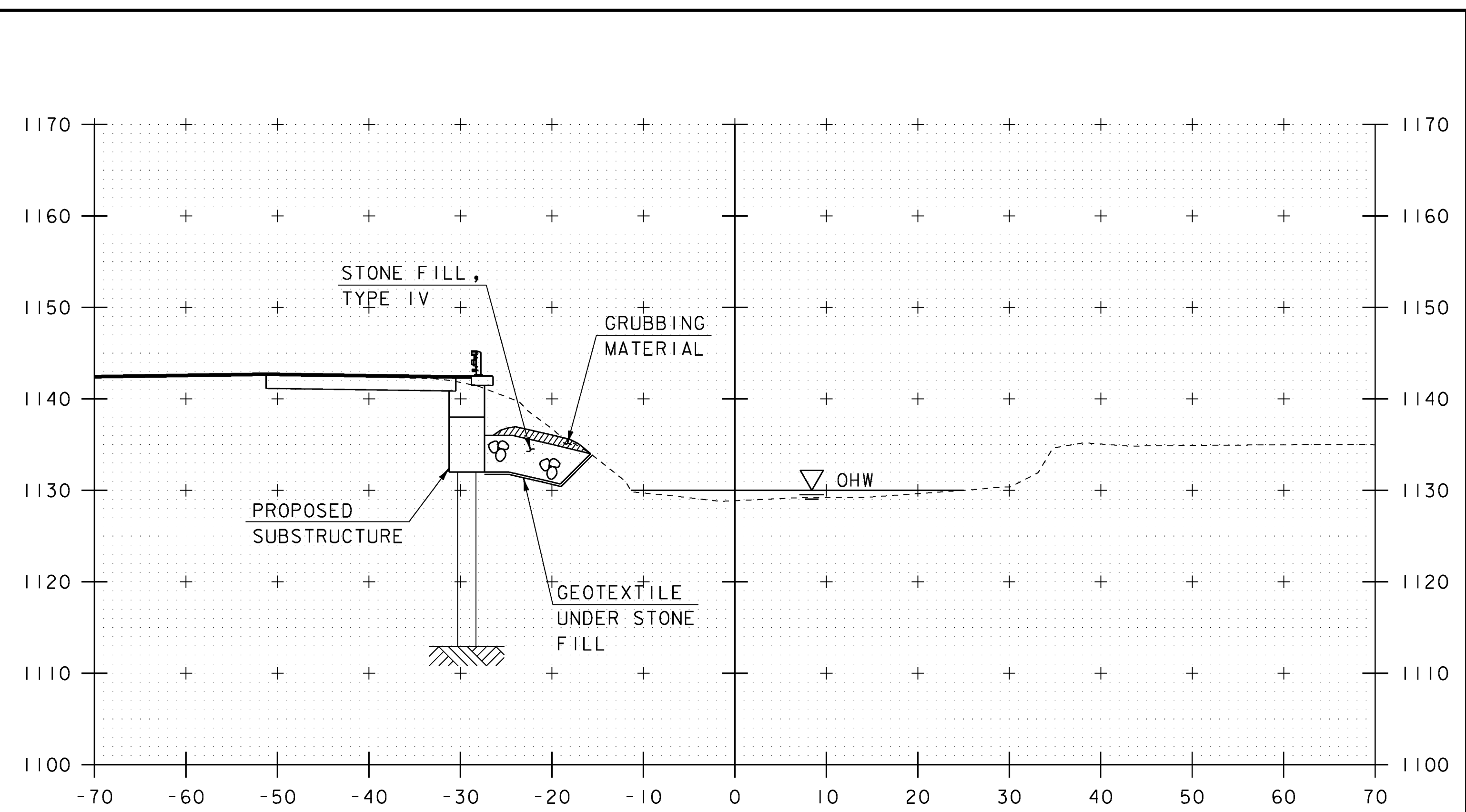
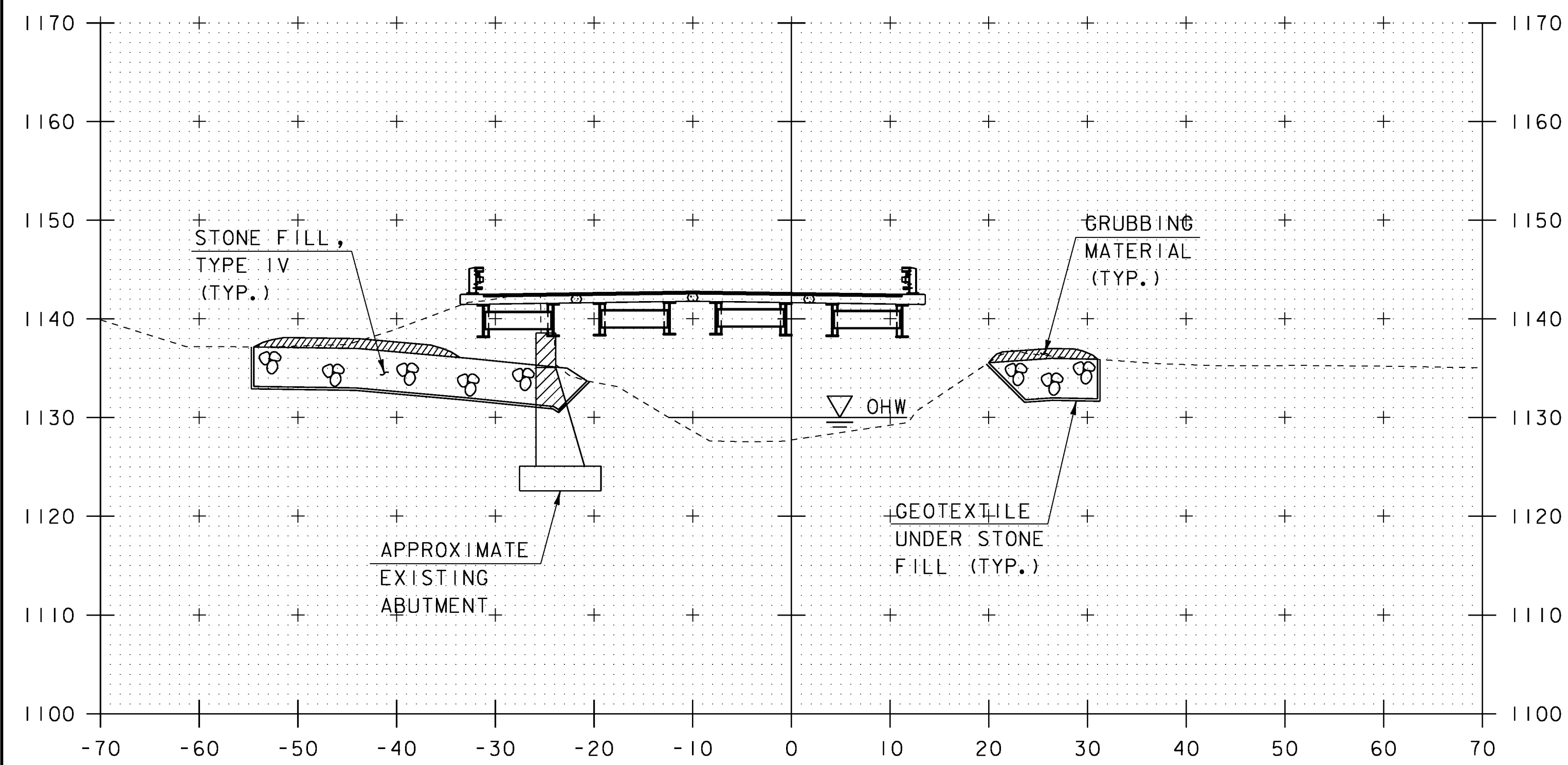


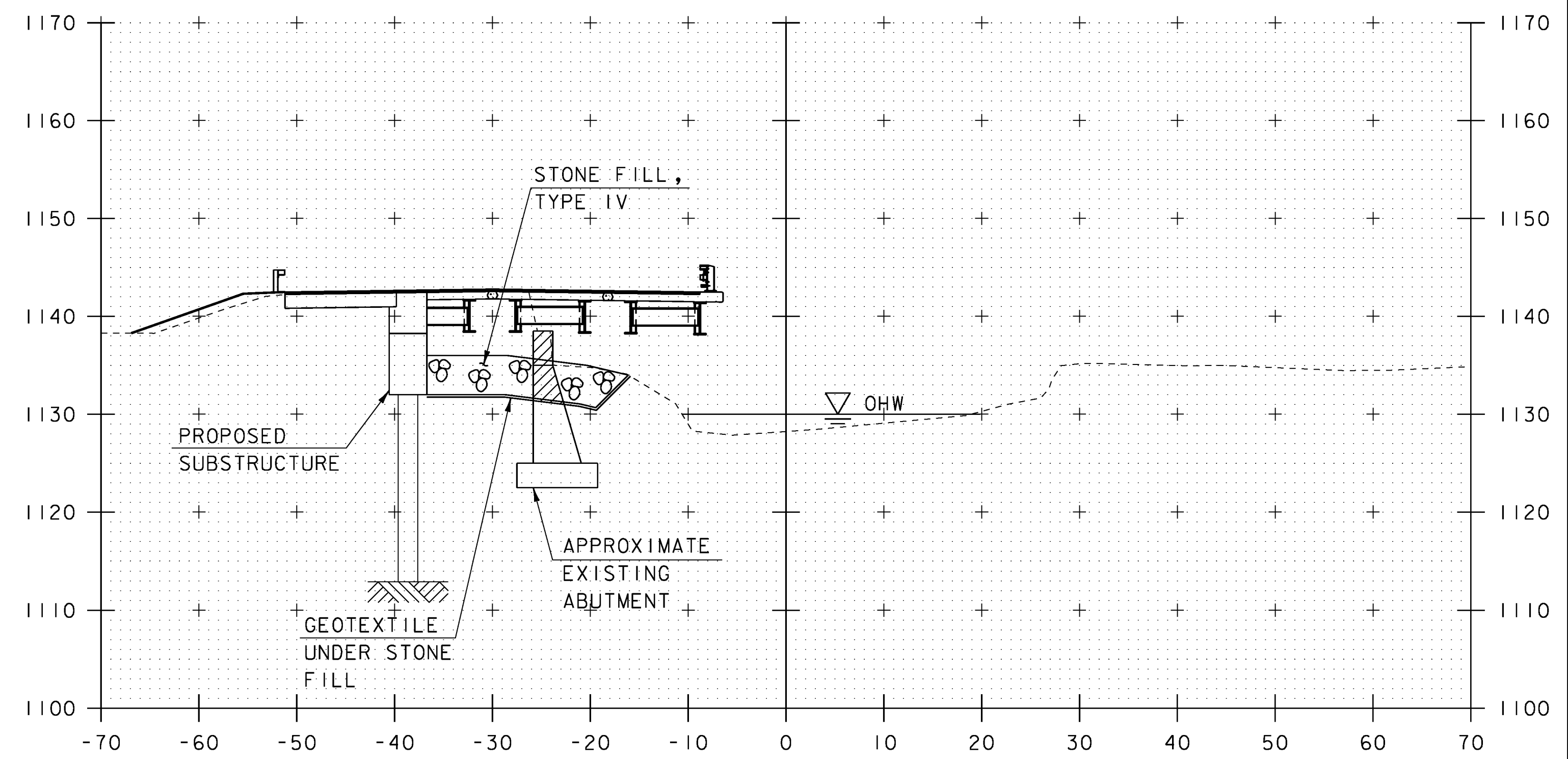
51+20



51+50



51+10



51+30

NOTE:
FOR STONE FILL AND
GRUBBING MATERIAL
LIMITS, SEE LAYOUT SHEET

SCALE 1" = 10'-0"
10 0 10



PROJECT NAME: WARREN
PROJECT NUMBER: BRF 013-4(32)

FILE NAME: z10b424xsl.dgn
PROJECT LEADER: R. YOUNG
DESIGNED BY: D. KULL
CHANNEL CROSS SECTIONS (3 OF 4)

PLOT DATE: 03-OCT-2013
DRAWN BY: S. MERKWAN
CHECKED BY: T. KENDRICK
SHEET 35 OF 42