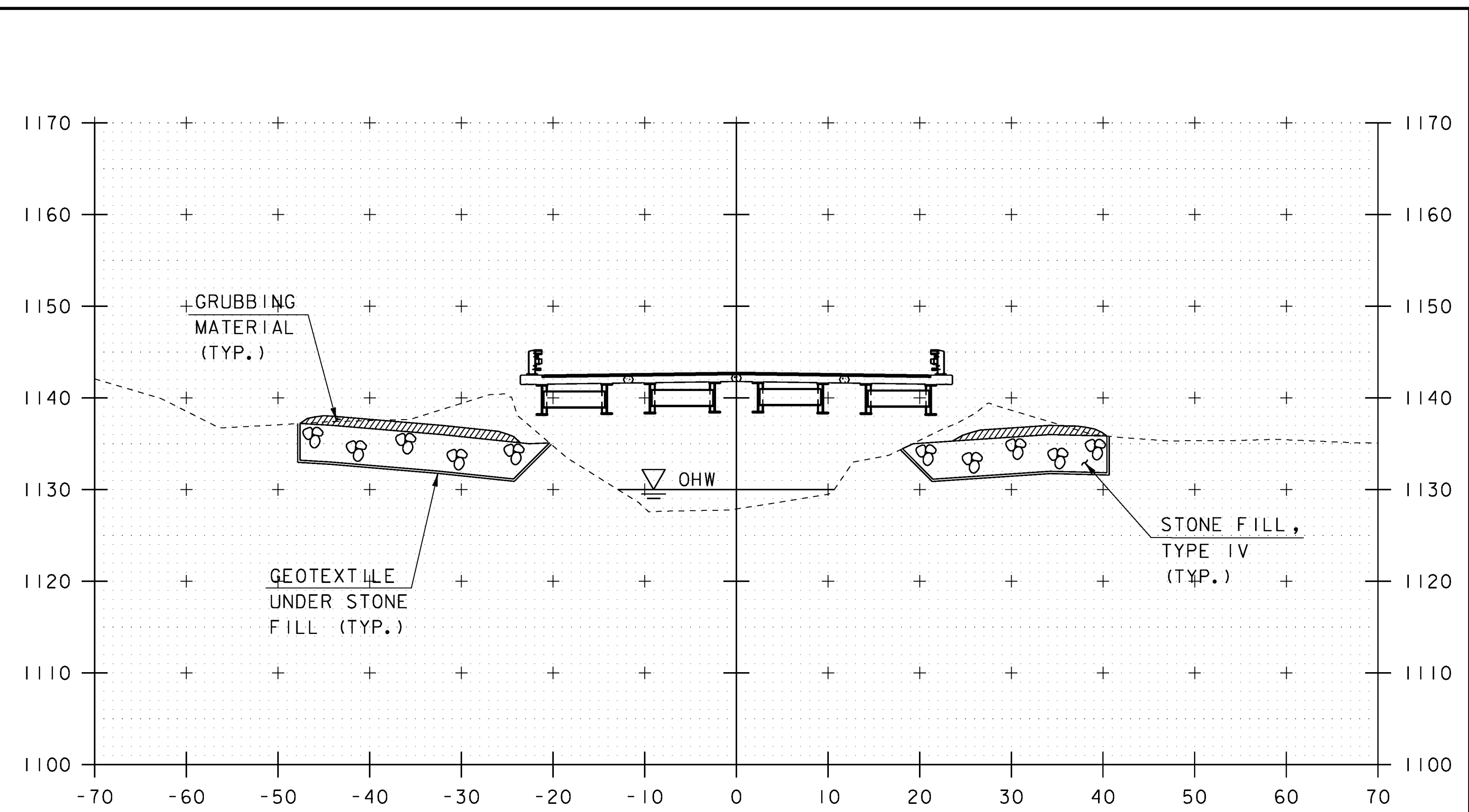
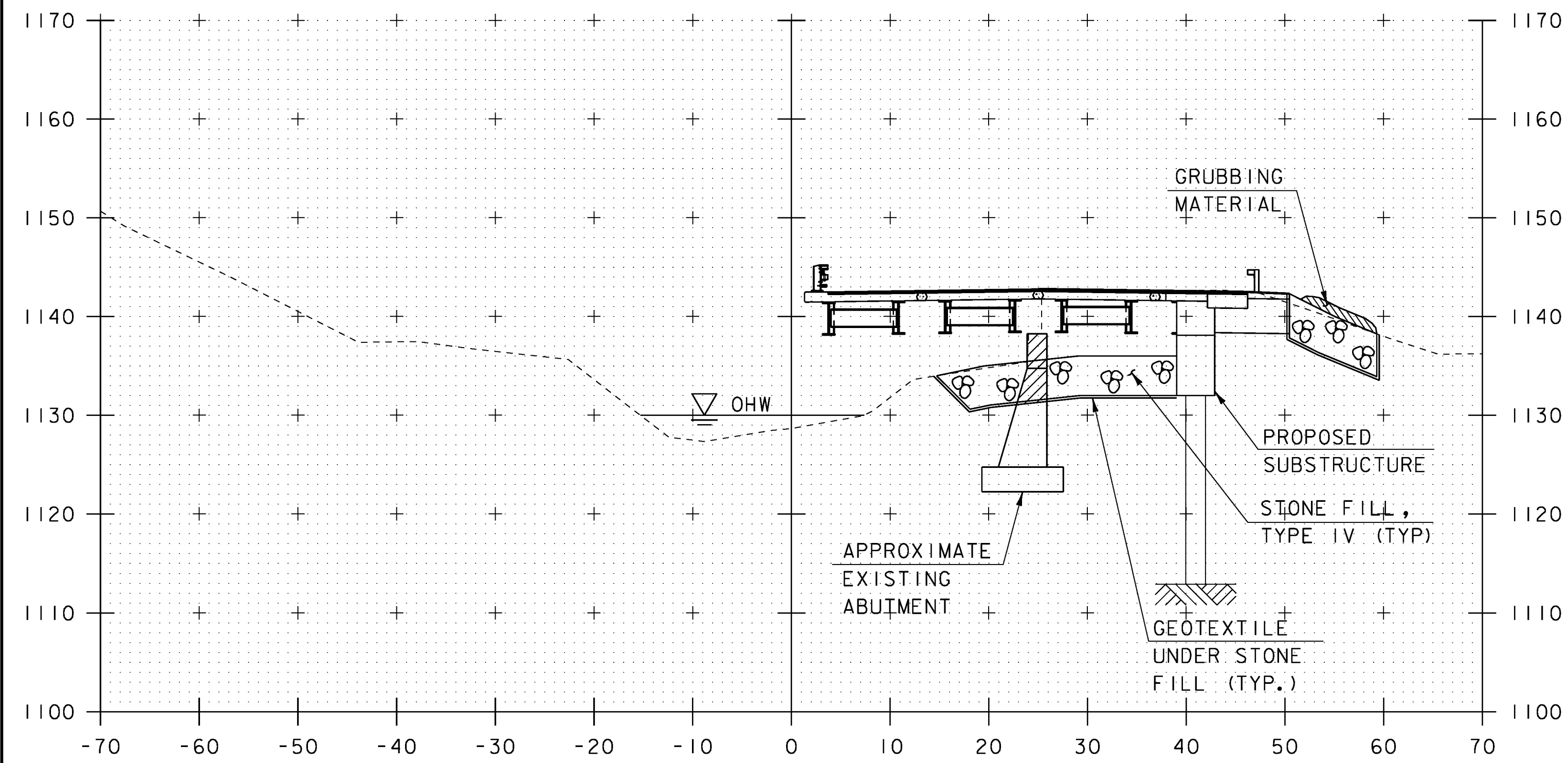


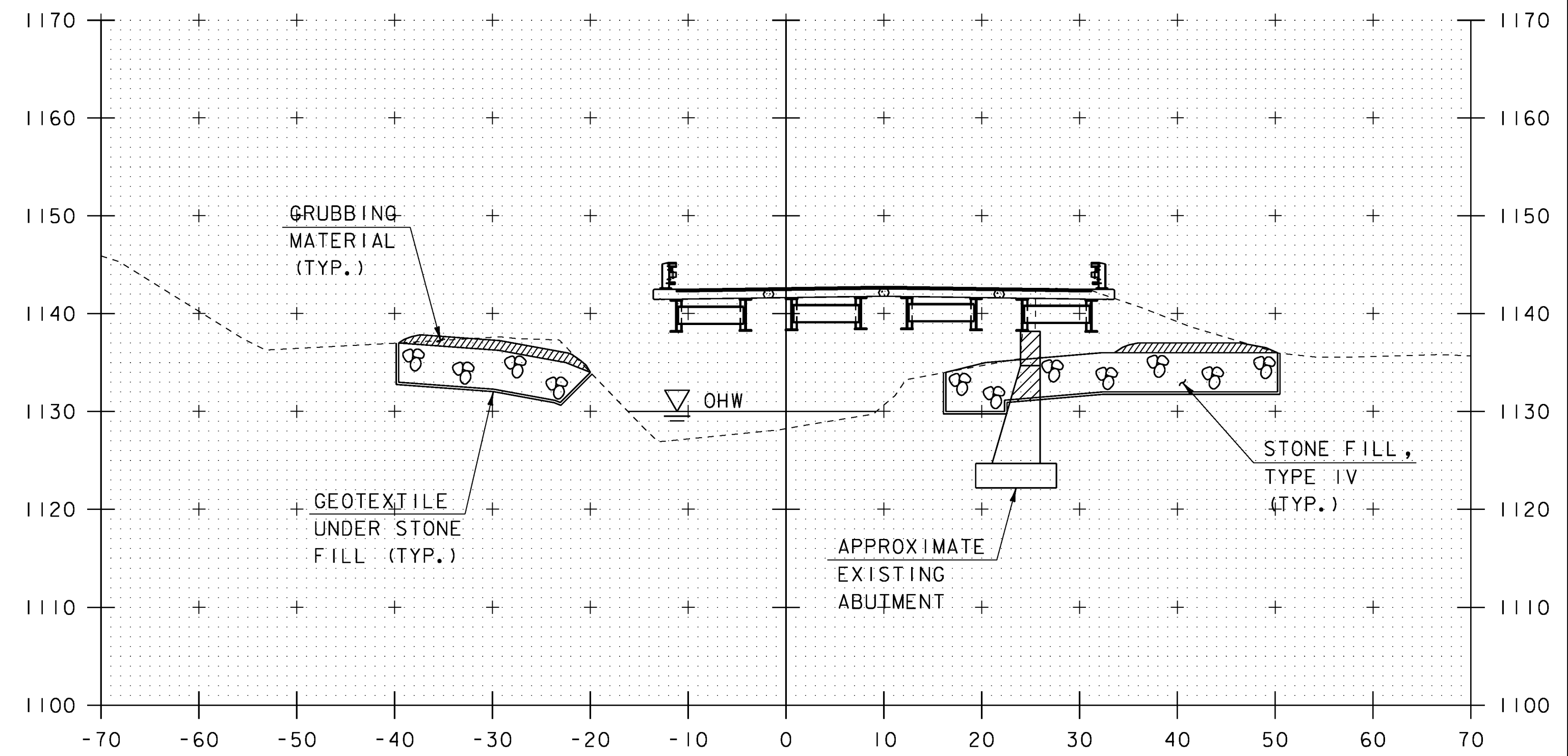
50+80



51+00



50+75



50+90

NOTE:
FOR STONE FILL AND
GRUBBING MATERIAL
LIMITS, SEE LAYOUT SHEET

SCALE 1" = 10'-0"
10 0 10



PROJECT NAME: WARREN
PROJECT NUMBER: BRF 013-4(32)

FILE NAME: z10b424xsl.dgn
PROJECT LEADER: R. YOUNG
DESIGNED BY: D. KULL
CHANNEL CROSS SECTIONS (2 OF 4)

PLOT DATE: 03-OCT-2013
DRAWN BY: S. MERKWAN
CHECKED BY: T. KENDRICK
SHEET 34 OF 42

STA. 50+75 TO STA. 51+00