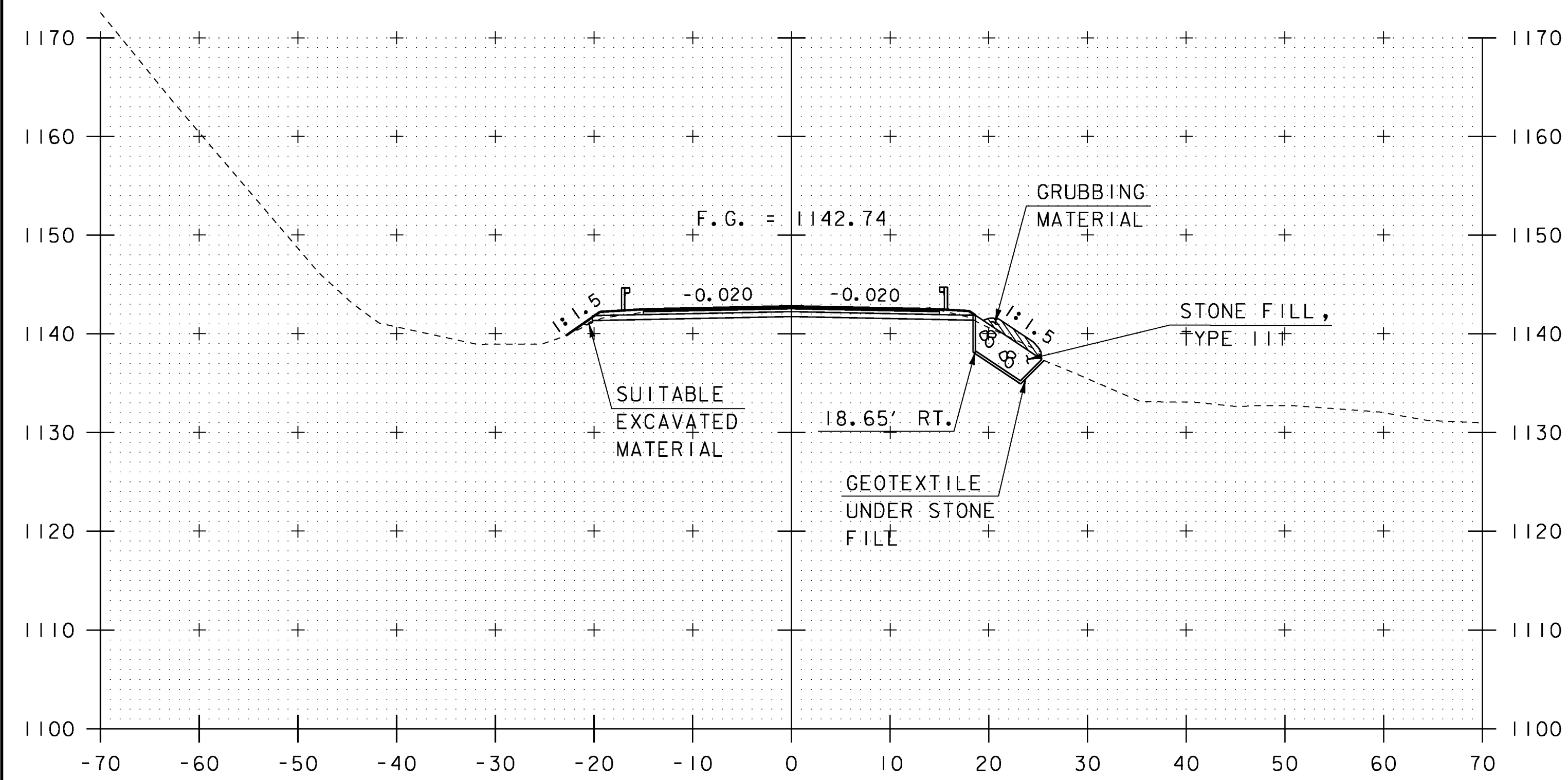
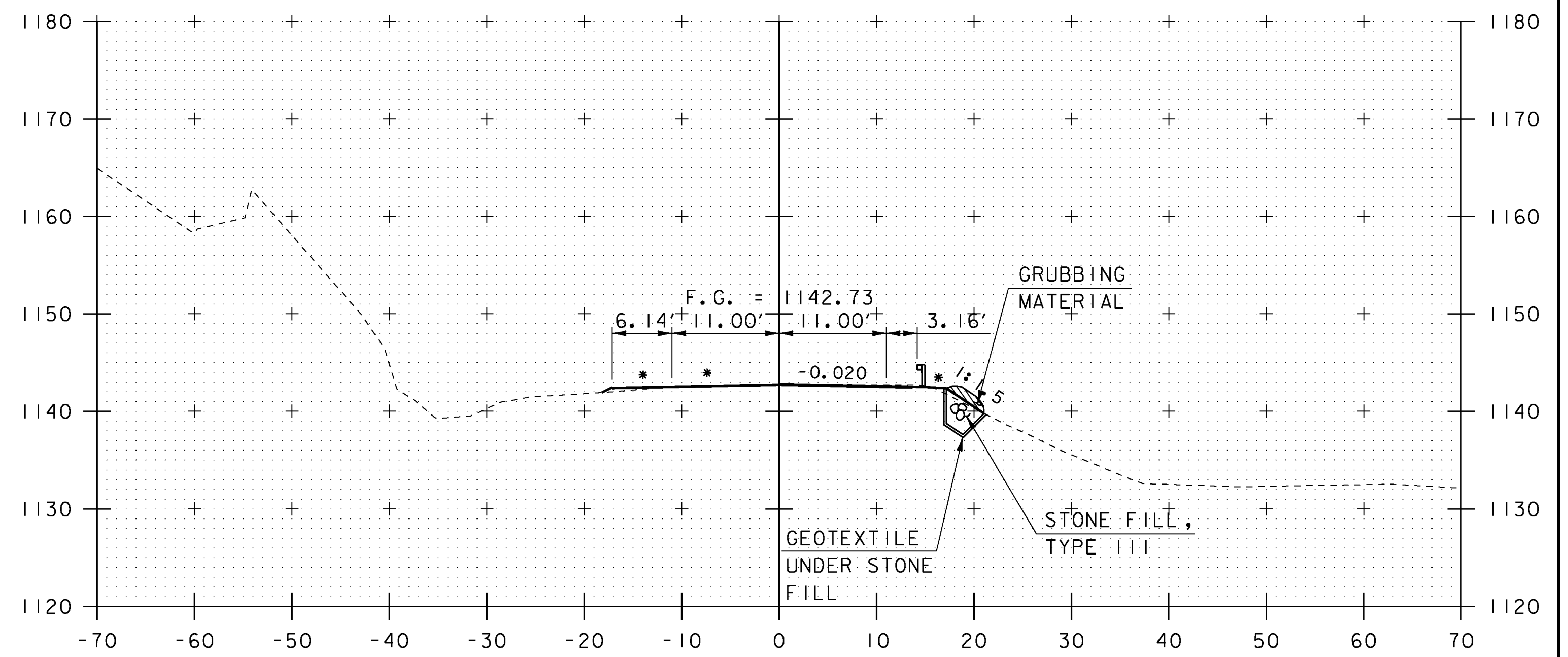


5+50



5+25
END PROJECT



5+75

END APPROACH
MATCH EXISTING

* MATCH EXISTING
CROSS SLOPE

SCALE 1" = 10' - 0"
10 0 10



PROJECT NAME: WARREN	PLOT DATE: 03-OCT-2013
PROJECT NUMBER: BRF 013-4(32)	DRAWN BY: S. MERKWAN
FILE NAME: z10b424xsl.dgn	CHECKED BY: T. KENDRICK
PROJECT LEADER: R. YOUNG	SHEET 32 OF 42
DESIGNED BY: D. KULL	
ROADWAY CROSS SECTIONS (4 OF 4)	

STA. 5+25 TO STA. 5+75