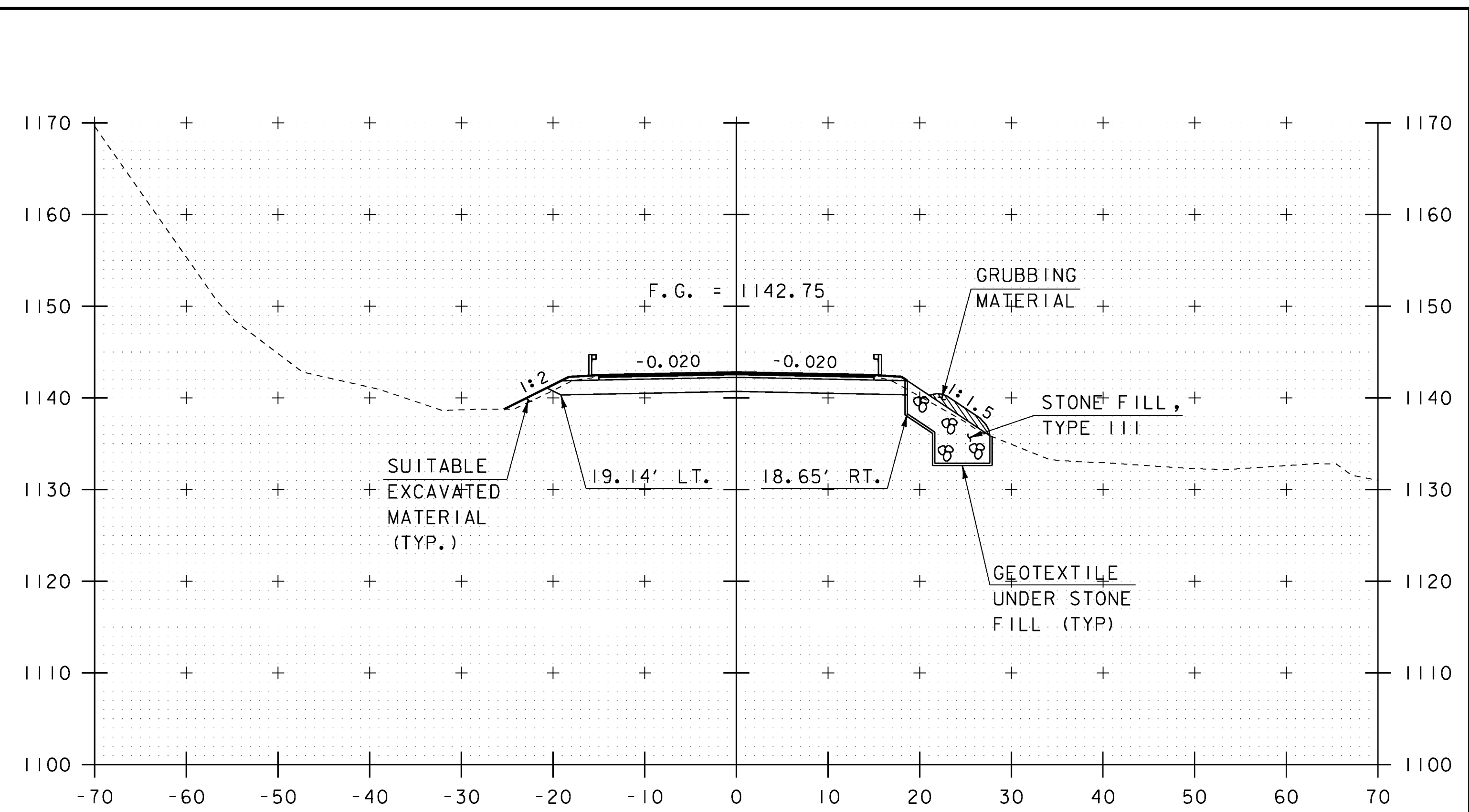
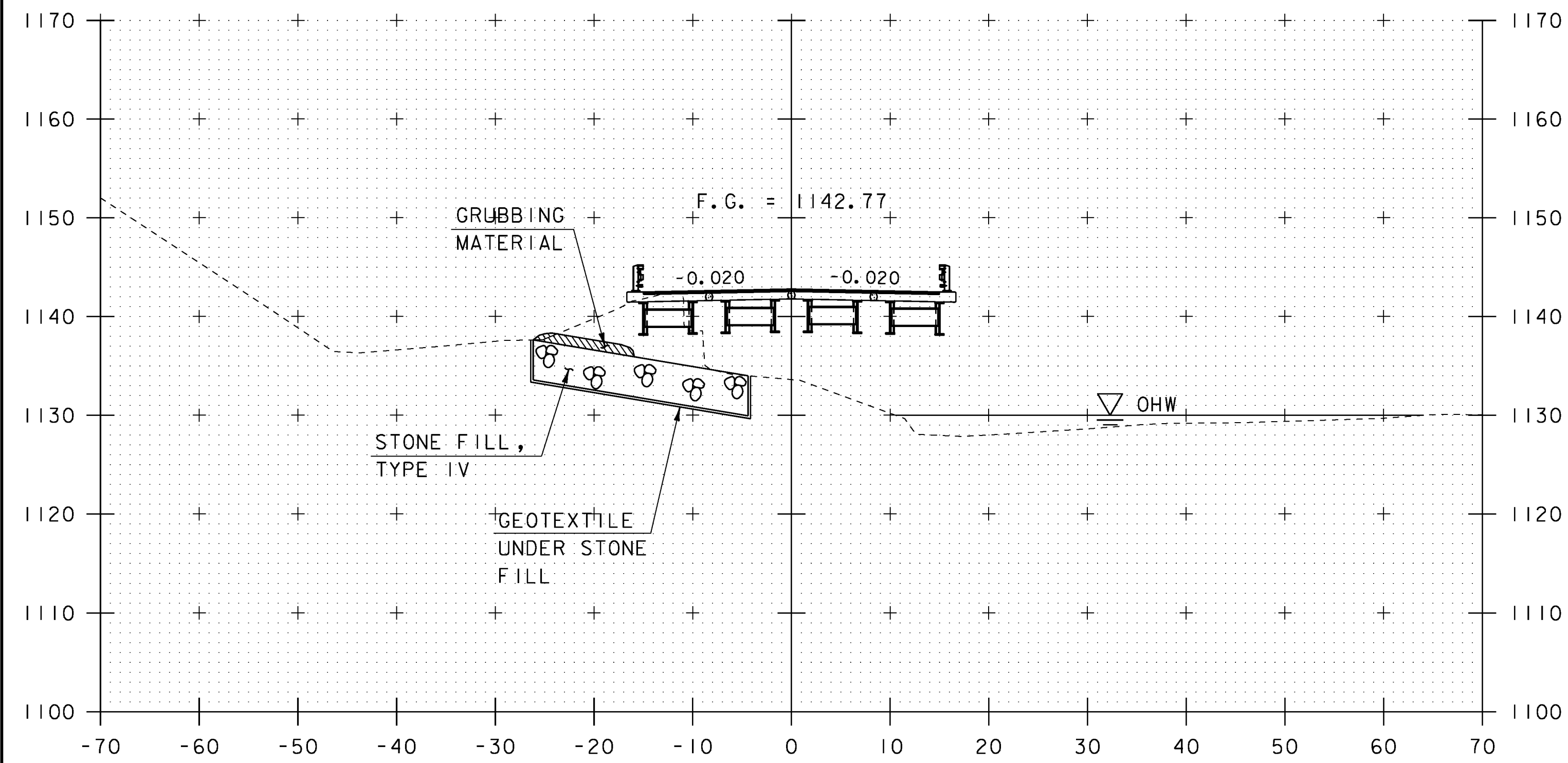


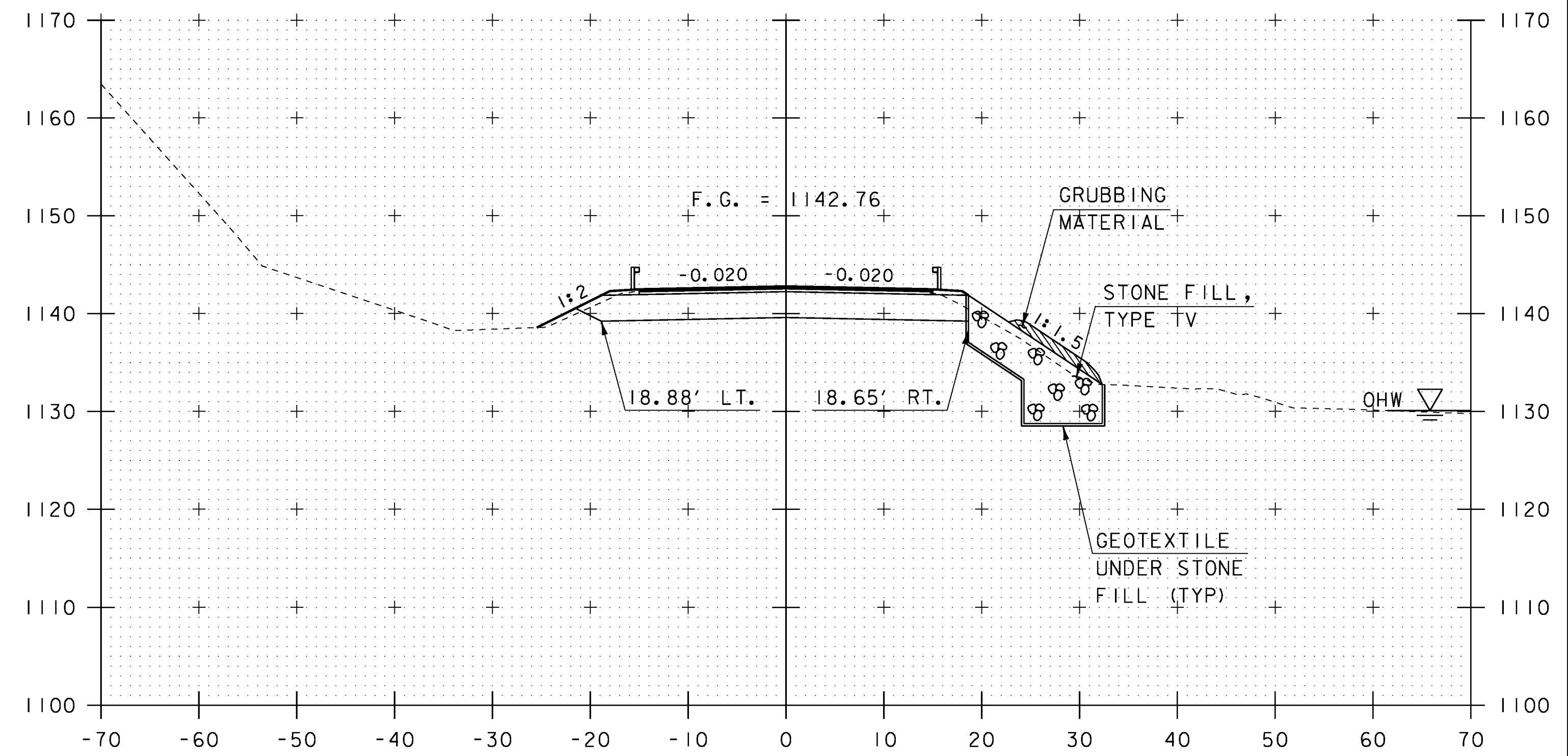
4+50



5+00



4+25



4+75

END BRIDGE - STA. 4+51.90

SCALE 1" = 10' - 0"



STA. 4+25 TO STA. 5+00



PROJECT NAME: WARREN	PLOT DATE: 03-OCT-2013
PROJECT NUMBER: BRF 013-4(32)	DRAWN BY: S. MERKWAN
FILE NAME: z10b424xsl.dgn	CHECKED BY: T. KENDRICK
PROJECT LEADER: R. YOUNG	SHEET 31 OF 42
DESIGNED BY: D. KULL	
ROADWAY CROSS SECTIONS (3 OF 4)	