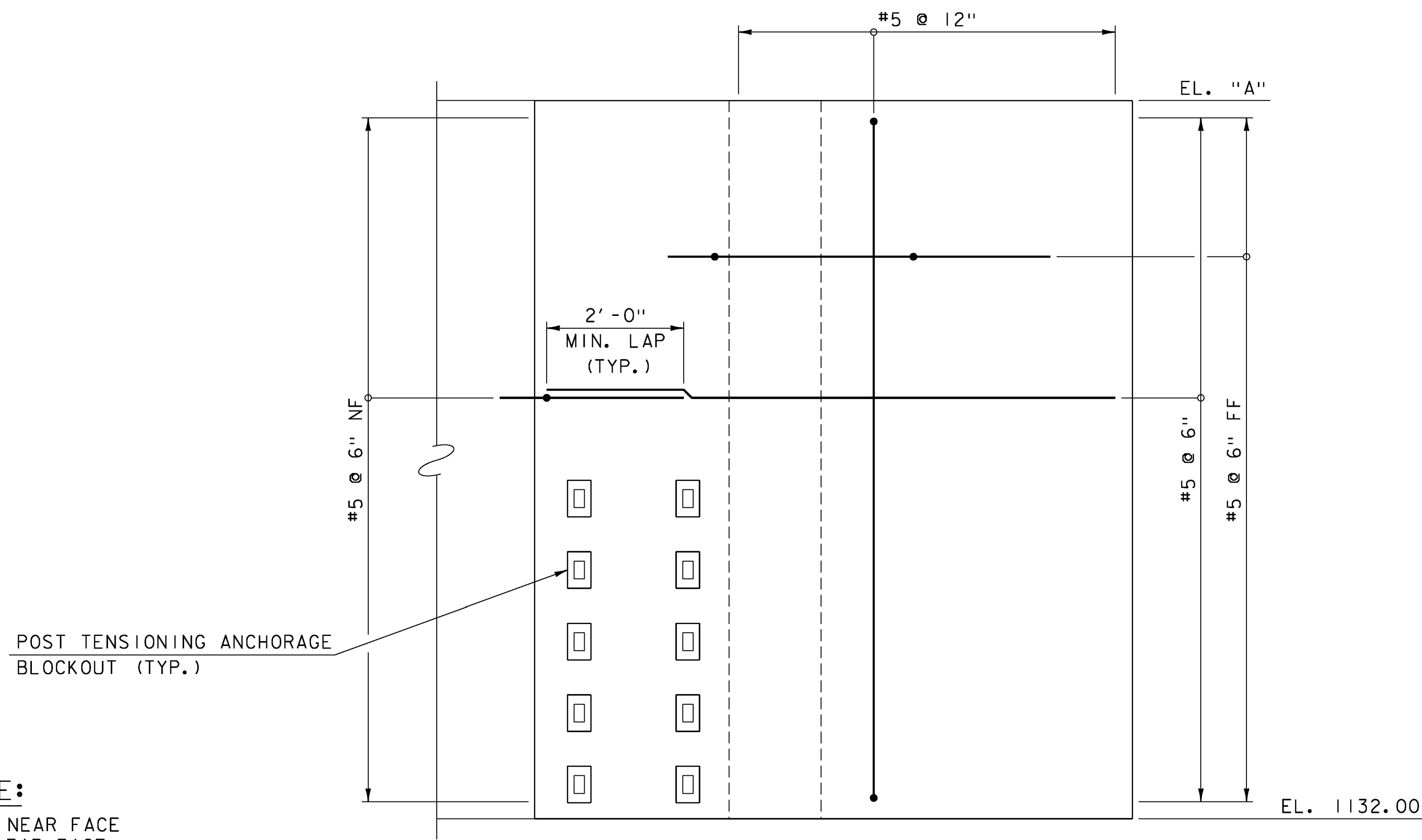
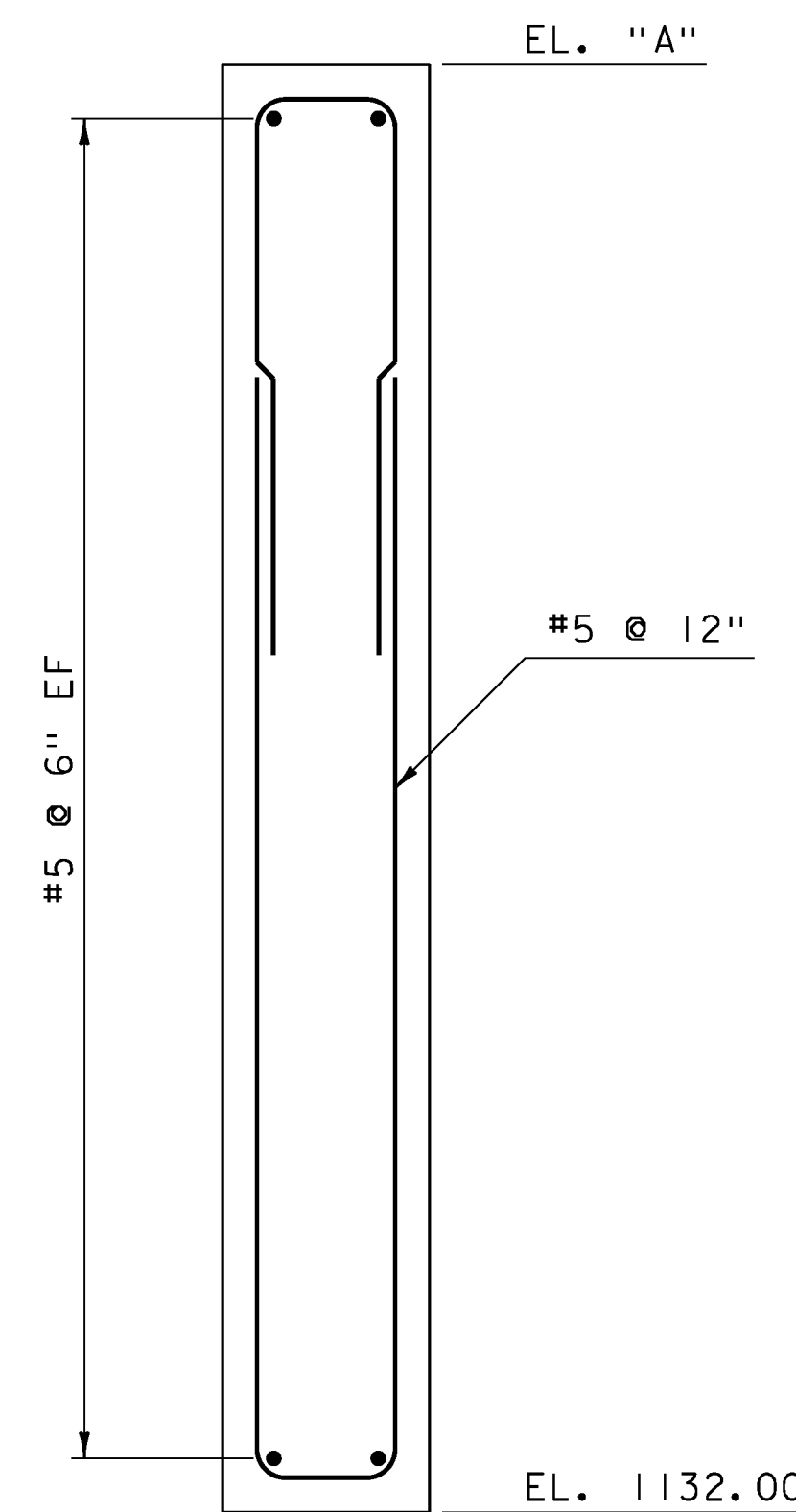


WINGWALL PLAN
(W. W. 1 SHOWN)
SCALE: 3/4" = 1'-0"

WINGWALL TABLE				
	W.W. 1	W.W. 2	W.W. 3	W.W. 4
EL. "A"	1142.42	1142.42	1142.42	1142.42
ANGLE "C"	70° 00' 00"	110° 00' 00"	110° 00' 00"	70° 00' 00"



WINGWALL ELEVATION
(W. W. 1 SHOWN)
SCALE: 3/4" = 1'-0"



SECTION A-A
(W. W. 1 SHOWN - CORNER BARS NOT SHOWN)
SCALE: 3/4" = 1'-0"

NOTE:
NF = NEAR FACE
FF = FAR FACE
EF = EACH FACE
▲ = CUT TO FIT IN FIELD
3" CLEAR, UNLESS OTHERWISE SPECIFIED ON THE PLANS.
2'-2" BAR LAP UNLESS OTHERWISE SPECIFIED ON THE PLANS.

NOTE

1. SEE SHEETS 23 AND 24 FOR REINFORCING DETAILS NOT SHOWN.

PROJECT NAME: WARREN
PROJECT NUMBER: BRF 013-4(32)

FILE NAME: z10b424wingd\1s.dgn
PROJECT LEADER: R. YOUNG
DESIGNED BY: D. KULL
WINGWALL DETAILS

PLOT DATE: 03-OCT-2013
DRAWN BY: P. DUSTIN
CHECKED BY: T. KENDRICK
SHEET 26 OF 42