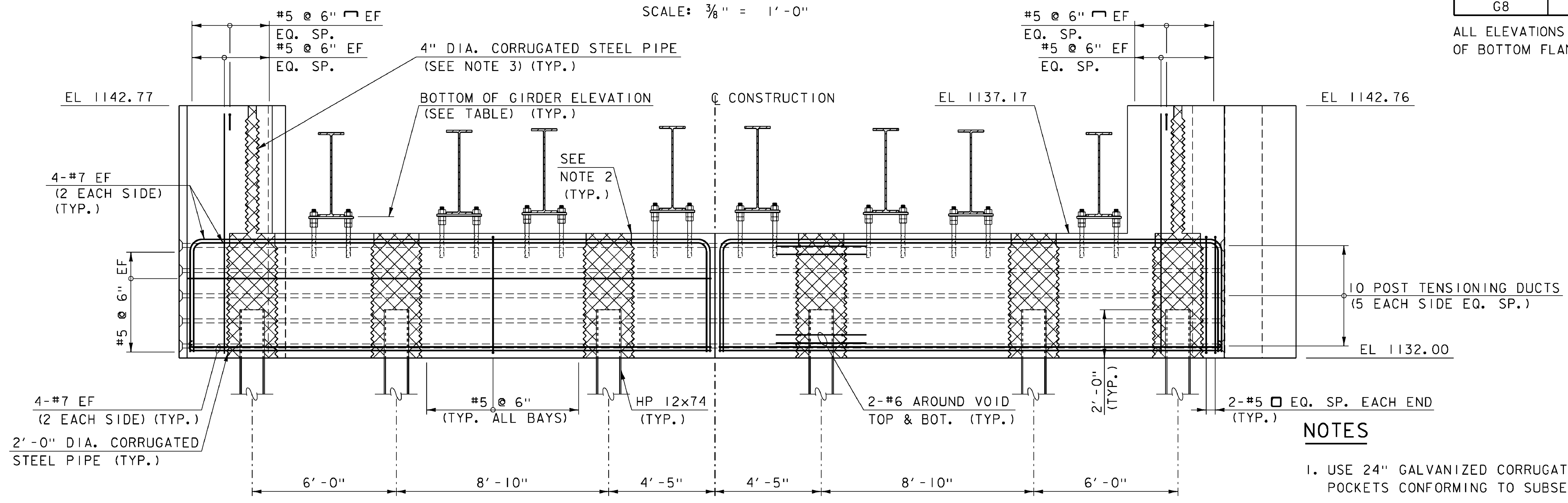


NOTE: ABUTMENT PLAN BELOW BRIDGE SEAT SHOWN.
FOR PLAN VIEW ABOVE BRIDGE SHEET, SEE SHEET 28.

PRECAST ABUTMENT NO. 2 PLAN
(ABUTMENT PLAN BELOW BRIDGE SEAT SHOWN)
SCALE: 3/8" = 1'-0"

GIRDER ELEVATION TABLE		
GIRDER	ELEVATION	REVISED ELEVATIONS
G1	1137.85	Abut 2 1137.70
G2	1137.95	1137.79
G3	1138.01	1137.87
G4	1138.11	1137.96
G5	1138.11	1137.94
G6	1138.00	1137.84
G7	1137.94	1137.77
G8	1137.84	1137.69

ALL ELEVATIONS ARE AT BOTTOM OF BOTTOM FLANGE



NOTE: WINGWALL REINFORCEMENT NOT SHOWN FOR CLARITY.
FOR WINGWALL REINFORCEMENT, SEE SHEET 26.

PRECAST ABUTMENT NO. 2 ELEVATION
SCALE: 3/8" = 1'-0"

NOTES

- USE 24" GALVANIZED CORRUGATED STEEL PIPE FOR PILE POCKETS CONFORMING TO SUBSECTION 711.01.
- FORM TOP 6" WITH REMOVABLE FORM TO ELIMINATE EXPOSED CORRUGATED STEEL ON THE TOP OF THE ABUTMENT.
- 4" GALVANIZED CORRUGATED STEEL PIPE TO CONFORM TO SUBSECTION 711.01.

NOTE:
NF = NEAR FACE
FF = FAR FACE
EF = EACH FACE
▲ = CUT TO FIT IN FIELD
3" CLEAR, UNLESS OTHERWISE SPECIFIED ON THE PLANS.
2'-2" BAR LAP UNLESS OTHERWISE SPECIFIED ON THE PLANS.

LEGEND

SPECIAL PROVISION (HIGH PERFORMANCE CONCRETE, RAPID SET) (FPQ)



PROJECT NAME: WARREN	PLOT DATE: 03-OCT-2013
PROJECT NUMBER: BRF 013-4(32)	DRAWN BY: S. MERKWAN
FILE NAME: z10b424abutdt1s.dgn	CHECKED BY: T. KENDRICK
PROJECT LEADER: R. YOUNG	SHEET 24 OF 42
DESIGNED BY: D. KULL	
ABUTMENT NO. 2 PRECAST DETAILS	