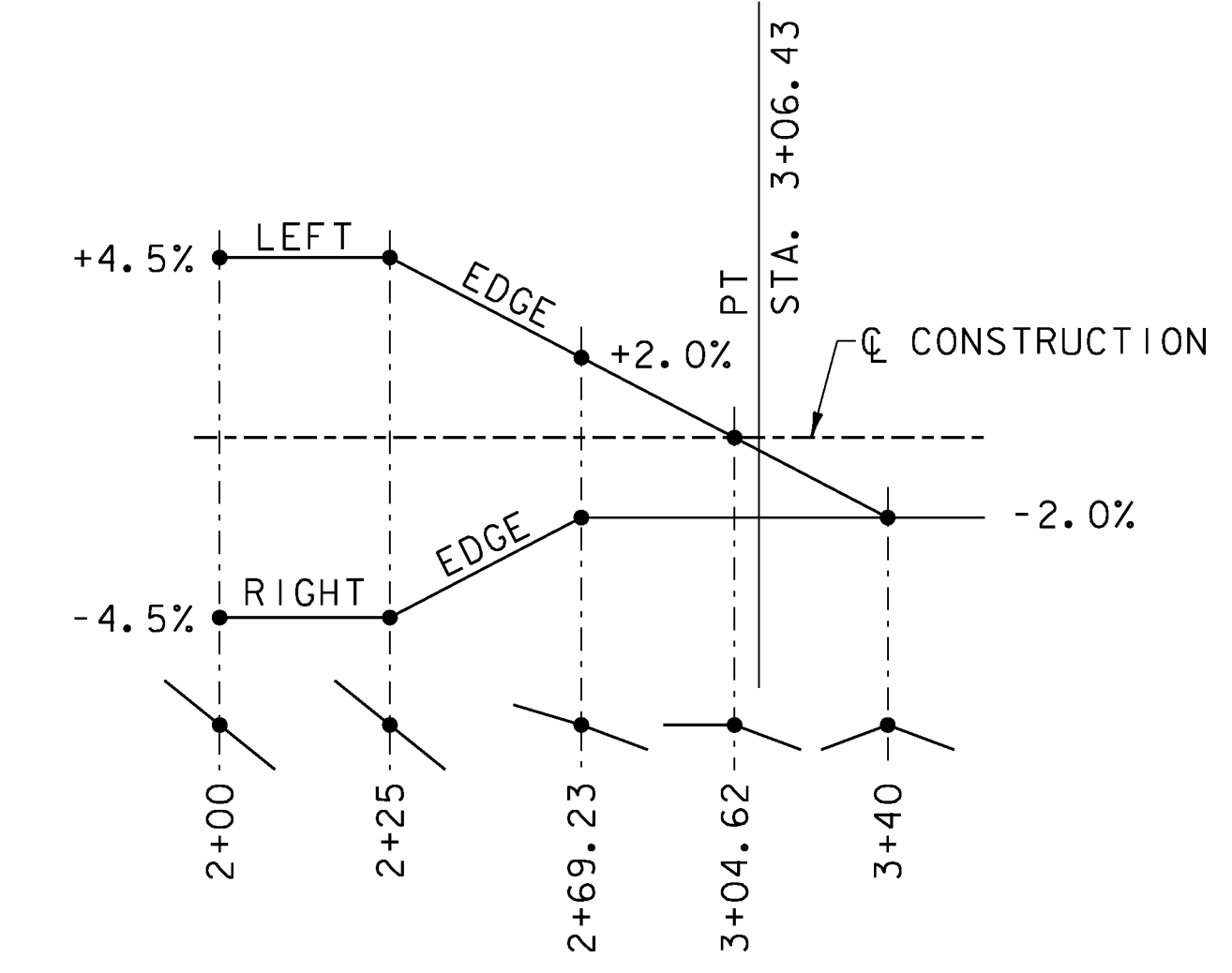


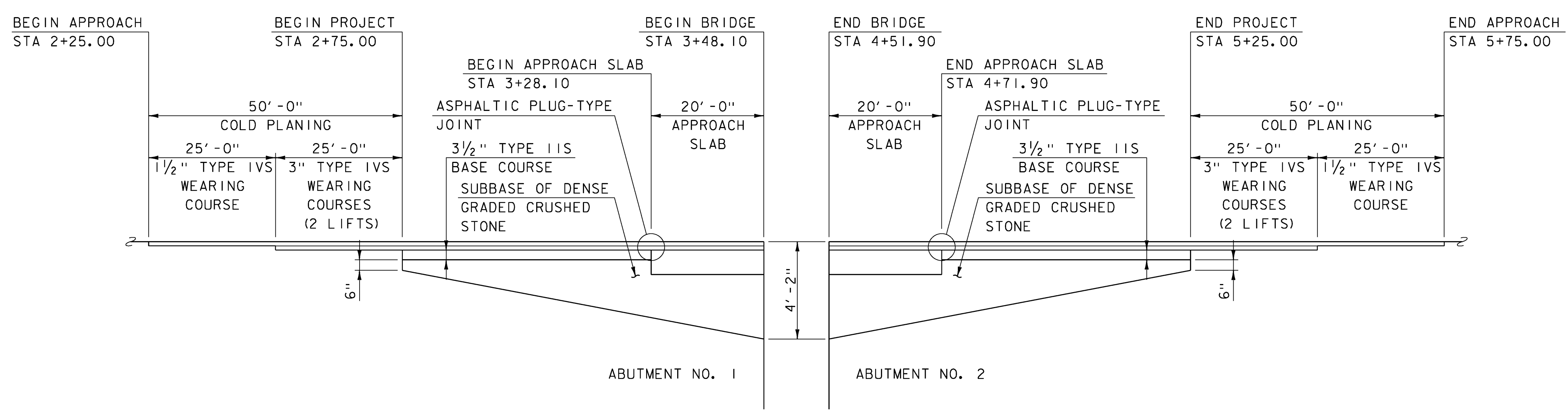
VT 100 PROFILE
 HORIZONTAL SCALE: 1" = 20'-0"
 VERTICAL SCALE: 1" = 10'-0"



PROPOSED BANKING DIAGRAM
 NOT TO SCALE

NOTES

1. ELEVATIONS SHOWN TO THE NEAREST TENTH ARE EXISTING GROUND ALONG PROPOSED CENTERLINE.
2. ELEVATIONS SHOWN TO THE NEAREST HUNDREDTH ARE FINISH GRADES ALONG PROPOSED CENTERLINE.



MATERIAL TRANSITION DETAIL
 NOT TO SCALE

PROJECT NAME: WARREN	PLOT DATE: 03-OCT-2013
PROJECT NUMBER: BRF 013-4(32)	DRAWN BY: P. DUSTIN
FILE NAME: z10b424pro.dgn	CHECKED BY: T. KENDRICK
PROJECT LEADER: R. YOUNG	SHEET 10 OF 42
DESIGNED BY: VTRANS/D. KULL	
PROFILE SHEET	

