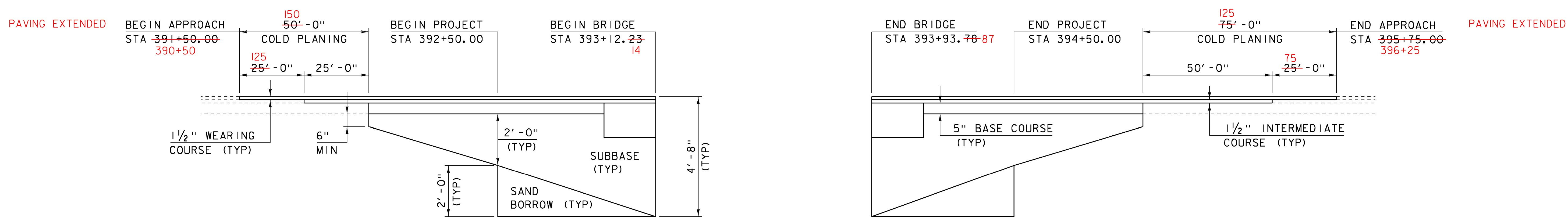


VT 9 BANKING DIAGRAM

HORIZONTAL SCALE: 1" = 20' - 0"
 VERTICAL SCALE: NOT TO SCALE



VT 9 MATERIAL TRANSITION DETAIL

HORIZONTAL SCALE: 1" = 20' - 0"
 VERTICAL SCALE: 1" = 2' - 0"

PROJECT NAME: MARLBORO	
PROJECT NUMBER: BRF 010-1(43)	
FILE NAME: sl0b414pro.dgn	PLOT DATE: 28-AUG-2013
PROJECT LEADER: K. HIGGINS	DRAWN BY: K. FRIEDLAND
DESIGNED BY: R. KLINEFELTER	CHECKED BY: G. LAROCHE
BANKING DIAGRAM AND MATERIAL TRANSITION SHEET 40 OF 50	