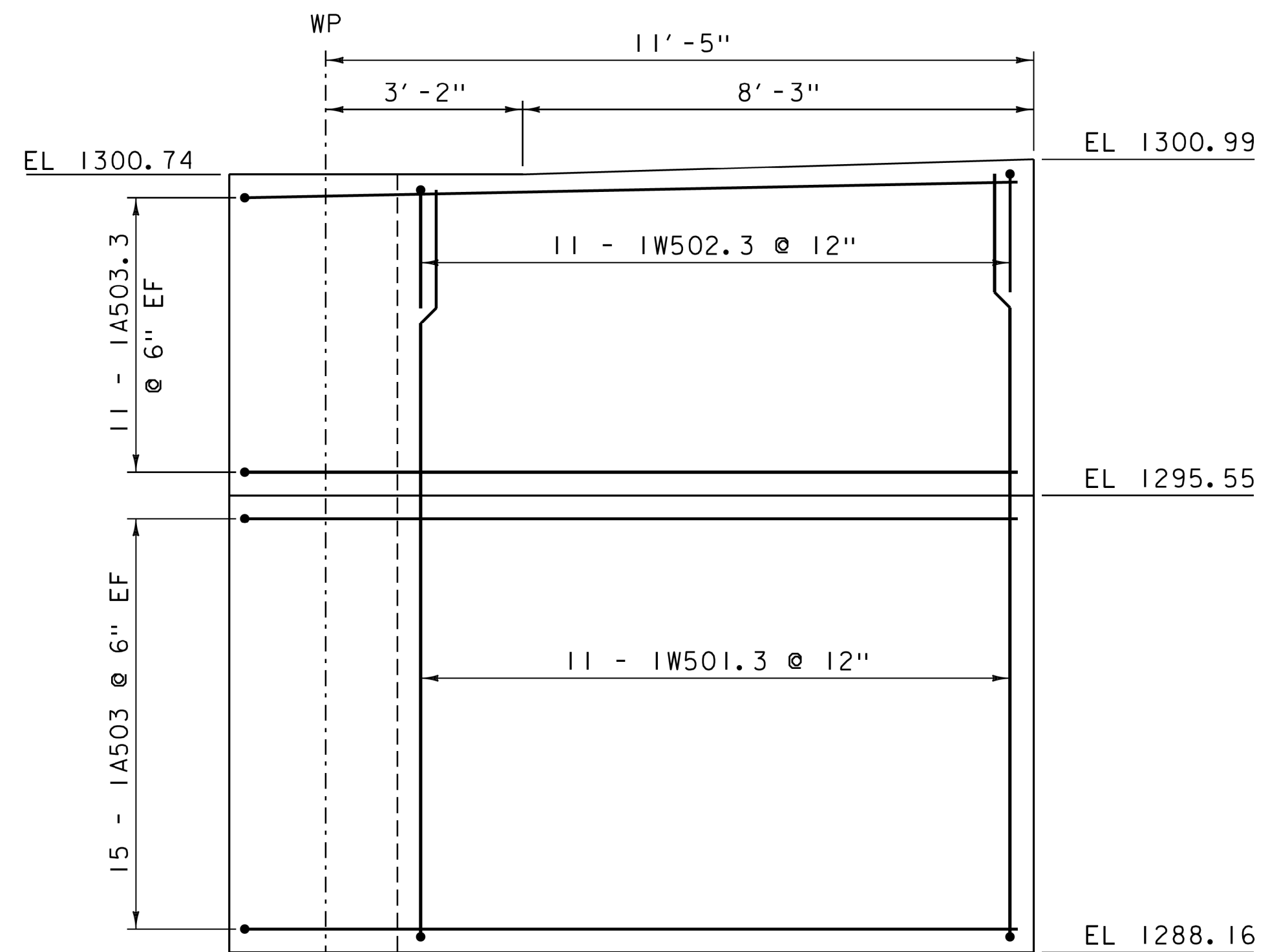


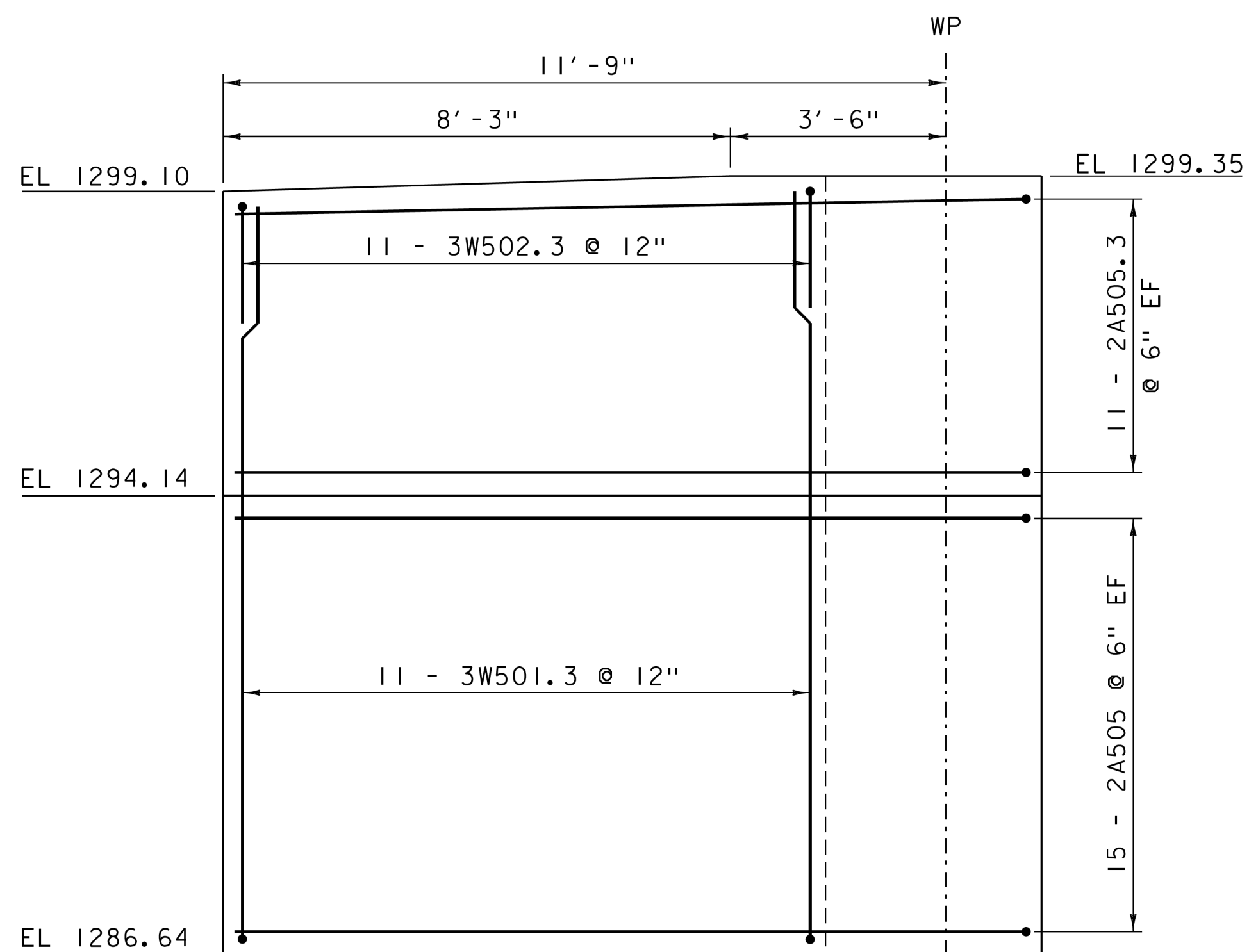
WINGWALL TYPICAL

SCALE 1/2" = 1'-0"



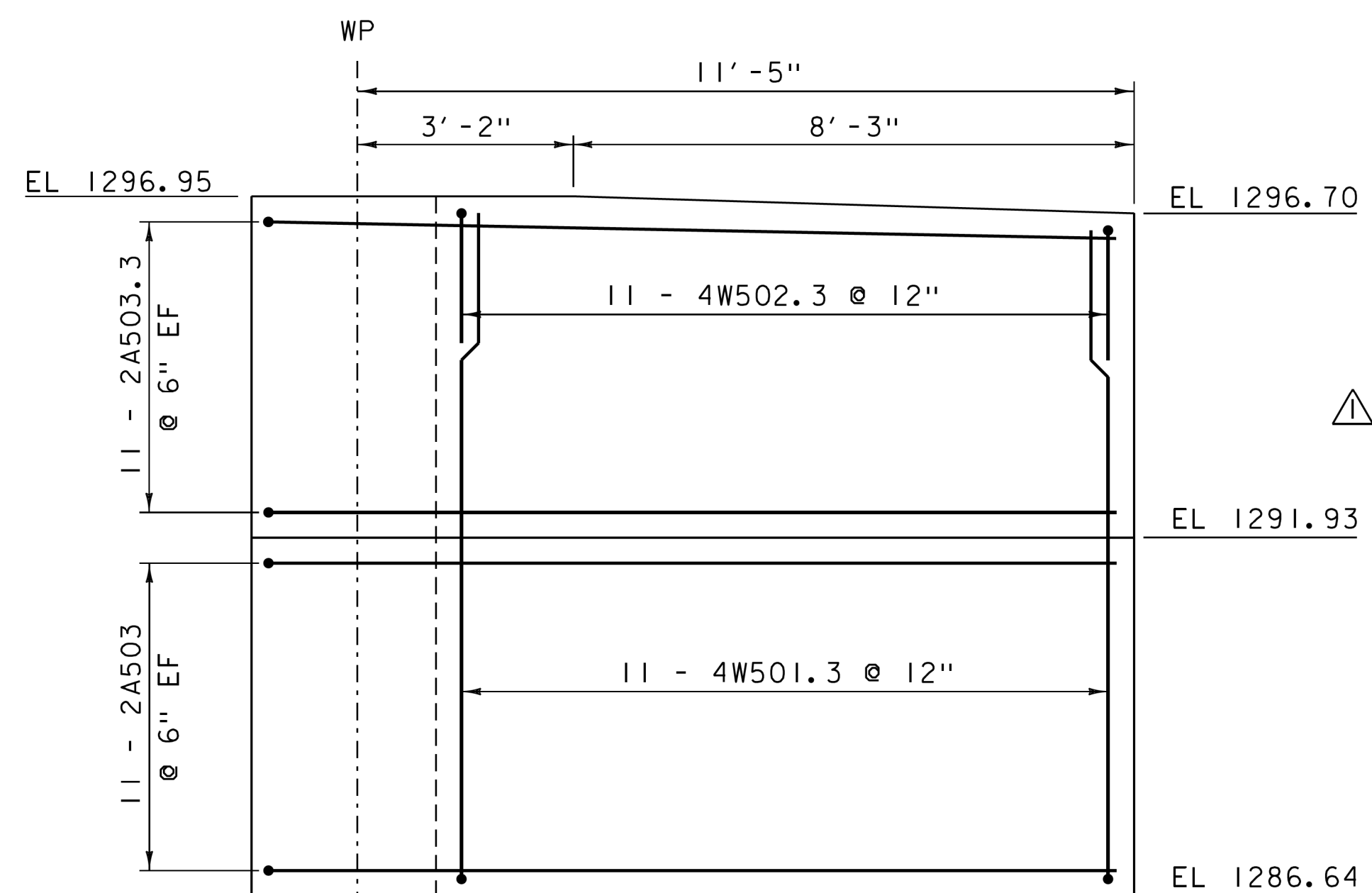
WINGWALL 1 ELEVATION

SCALE 1/2" = 1'-0"



WINGWALL 3 ELEVATION

SCALE 1/2" = 1'-0"



WINGWALL 4 ELEVATION

SCALE 1/2" = 1'-0"

△ - SHEET REVISED 5/6/2014.
REPLACES SHEET 34 IN CONTRACT PLANS.

NOTE:

NF = NEAR FACE
FF = FAR FACE
EF = EACH FACE
3" CLEAR, UNLESS OTHERWISE
SPECIFIED ON THE PLANS.
2'-2" BAR LAP UNLESS OTHERWISE
SPECIFIED ON THE PLANS.

PROJECT NAME: MARLBORO
PROJECT NUMBER: BRF 010-1(43)

FILE NAME: sl0414ww.dgn
PROJECT LEADER: K. HIGGINS
DESIGNED BY: R. KLINEFELTER
WINGWALL DETAILS

PLOT DATE: 06-MAY-2014
DRAWN BY: J. SALVATORI
CHECKED BY: R. KLINEFELTER
SHEET 34 OF 50

