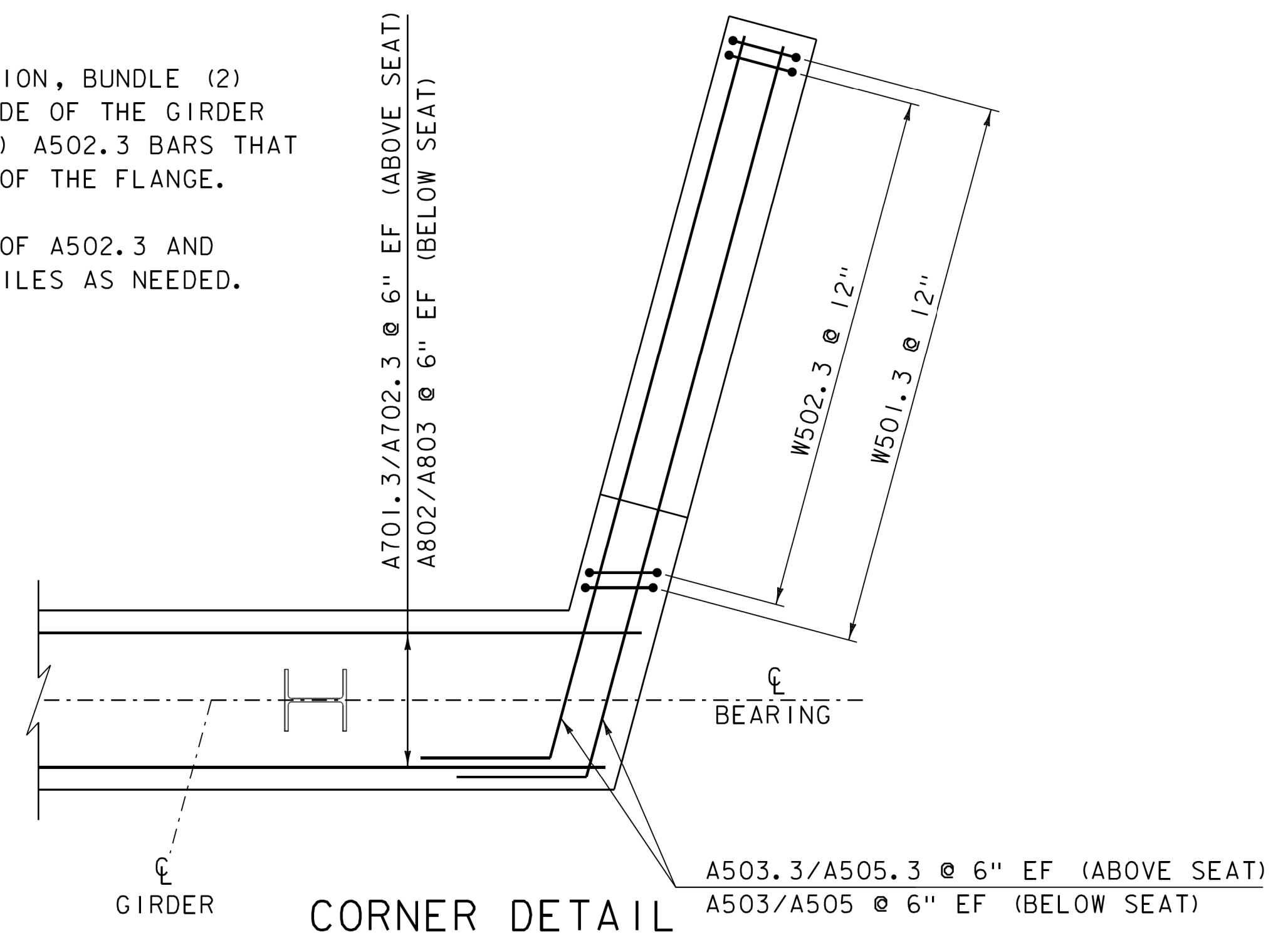


NOTES:

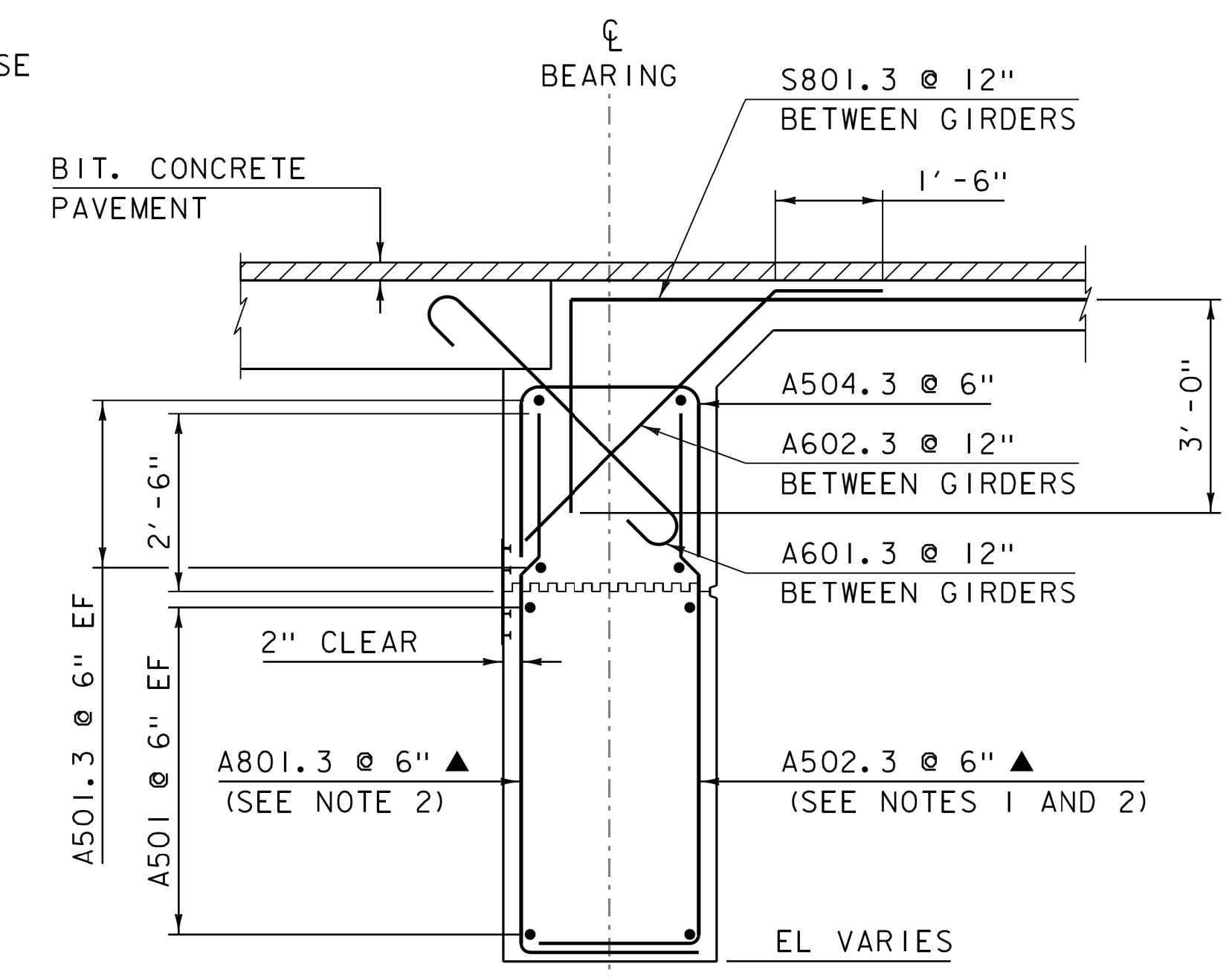
1. AT EACH GIRDER LOCATION, BUNDLE (2) A502.3 BARS ON EACH SIDE OF THE GIRDER FLANGE AND OMIT THE (2) A502.3 BARS THAT FALL WITHIN THE WIDTH OF THE FLANGE.
2. TURN THE BOTTOM LEG OF A502.3 AND A801.3 BARS TO CLEAR PILES AS NEEDED.

NOTE:

- NF = NEAR FACE
 FF = FAR FACE
 EF = EACH FACE
 ▲ = CUT TO FIT IN FIELD
 3" CLEAR, UNLESS OTHERWISE SPECIFIED ON THE PLANS.
 2'-2" BAR LAP UNLESS OTHERWISE SPECIFIED ON THE PLANS.



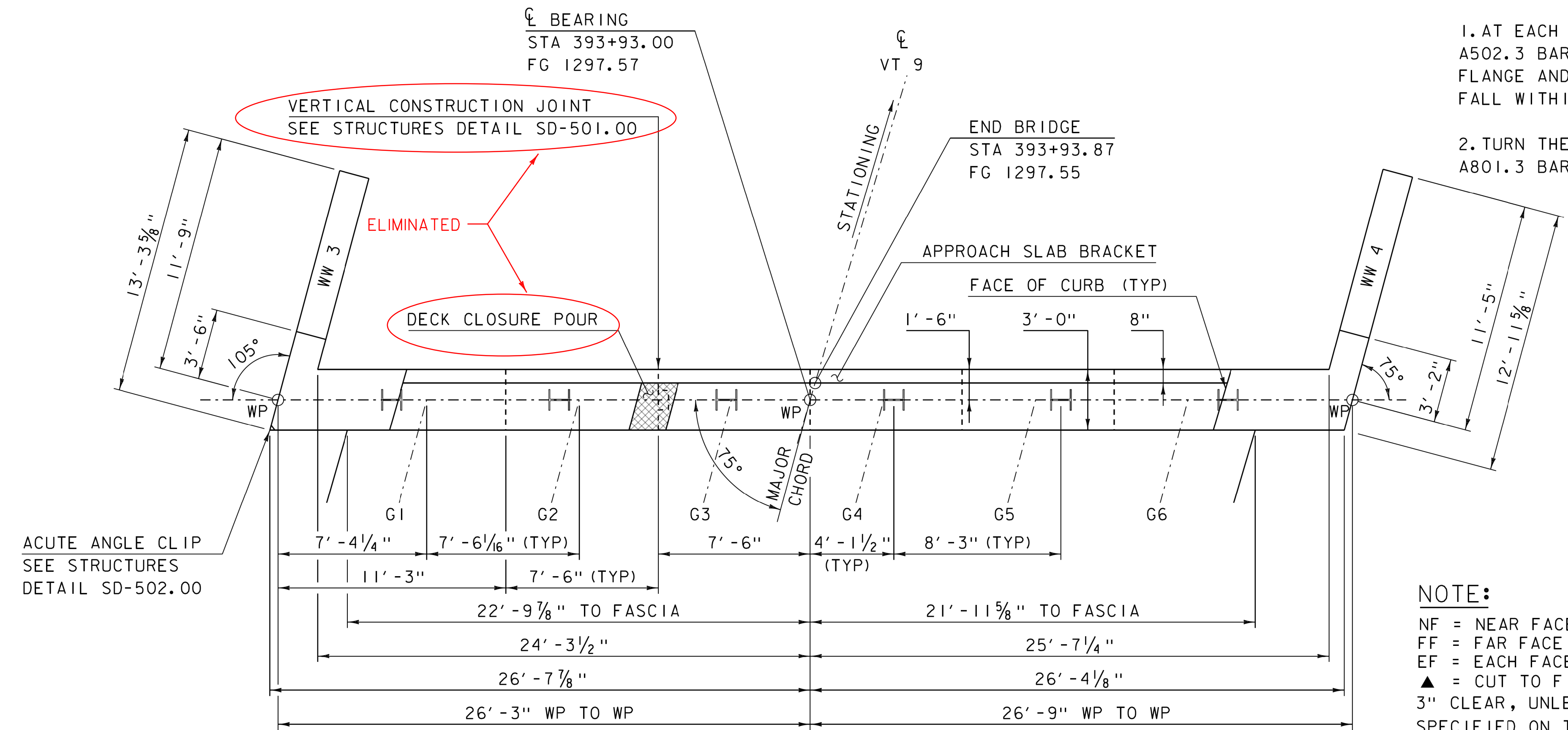
CORNER DETAIL
 SCALE 1/2" = 1'-0"



SECTION A-A
ABUTMENT REINFORCING TYPICAL
 SCALE 1/2" = 1'-0"

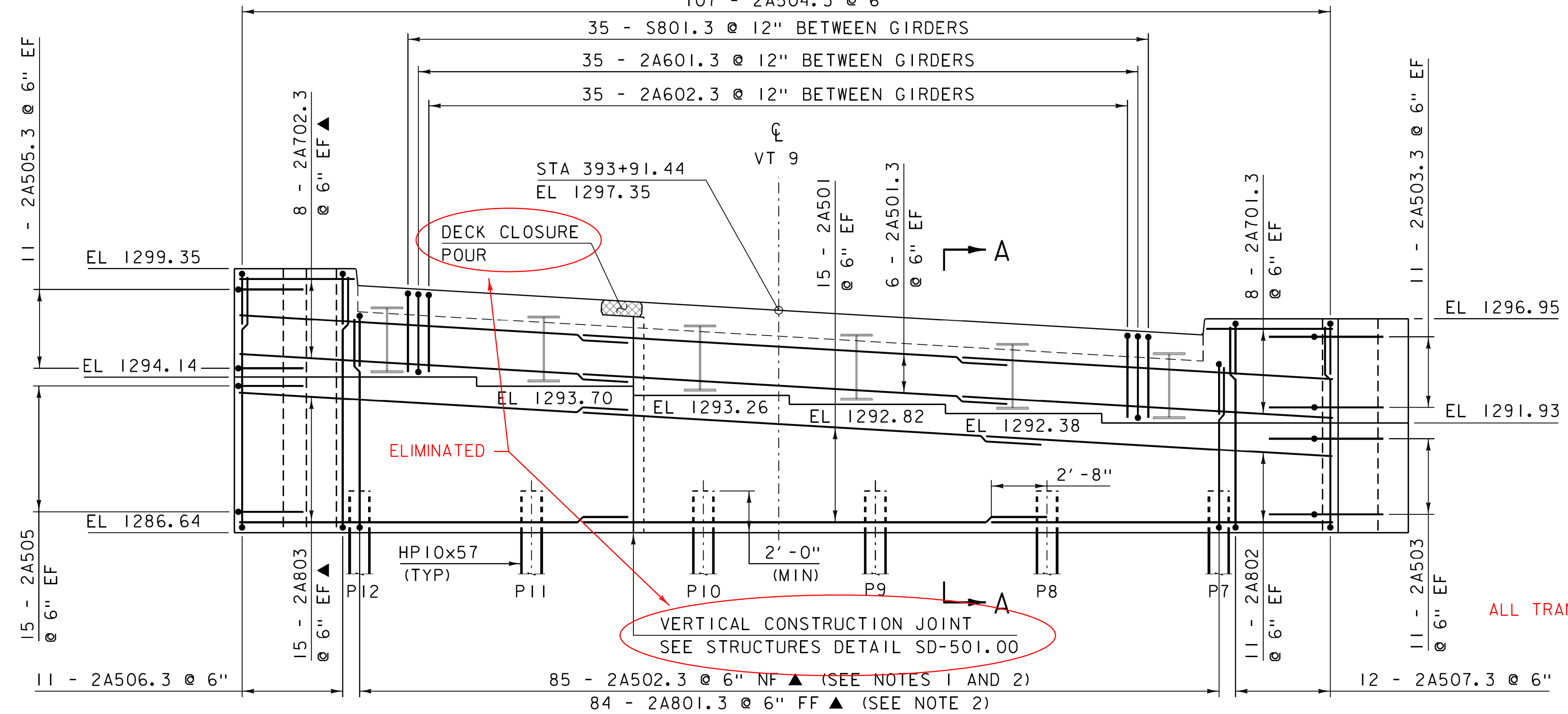
△ - SHEET REVISED 5/7/2014.
 REPLACES SHEET 32 IN CONTRACT PLANS.

PROJECT NAME:	MARLBORO	FILE NAME:	sl0414sub_2.dgn	PLOT DATE:	07-MAY-2014
PROJECT NUMBER:	BRF 010-1(43)	PROJECT LEADER:	K. HIGGINS	DRAWN BY:	R. KLINEFELTER
		DESIGNED BY:	R. KLINEFELTER	CHECKED BY:	J. SALVATORI
		ABUTMENT 2		SHEET	32 OF 50



ABUTMENT 2 PLAN

SCALE 1/4" = 1'-0"
 107 - 2A504.3 @ 6"



ABUTMENT 2 ELEVATION

SCALE 1/4" = 1'-0"

ALL TRANSVERSE REBARS WERE STAGGERED

VERTICAL CONSTRUCTION JOINT
 SEE STRUCTURES DETAIL SD-501.00

ELIMINATED

DECK CLOSURE POUR

DECK CLOSURE POUR

ELIMINATED

VERTICAL CONSTRUCTION JOINT
 SEE STRUCTURES DETAIL SD-501.00

ACUTE ANGLE CLIP
 SEE STRUCTURES
 DETAIL SD-502.00

FLOW

BEARING
 STA 393+93.00
 FG 1297.57

END BRIDGE
 STA 393+93.87
 FG 1297.55

STATIONING
 VT 9

APPROACH SLAB BRACKET
 FACE OF CURB (TYP)

MAJOR CHORD

11 - 2A505.3 @ 6" EF
 EL 1299.35
 EL 1294.14
 EL 1286.64
 15 - 2A505 @ 6" EF

11 - 2A503.3 @ 6" EF
 EL 1296.95
 EL 1291.93
 11 - 2A503 @ 6" EF