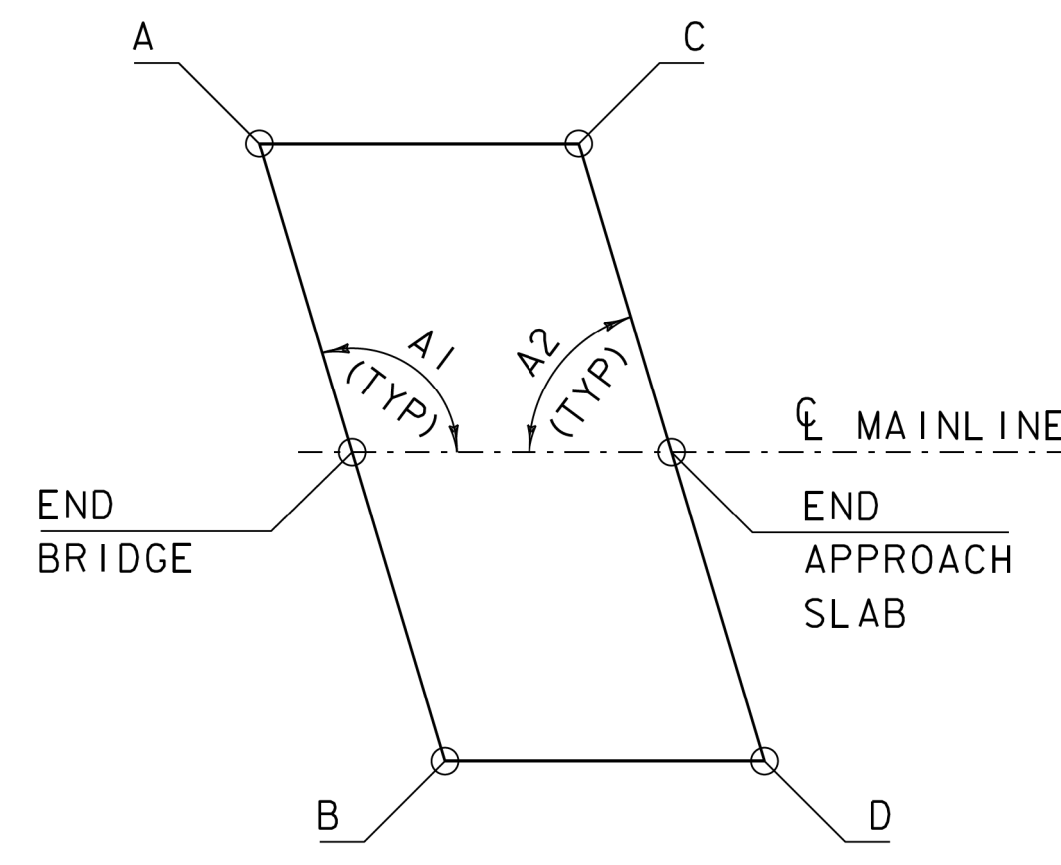
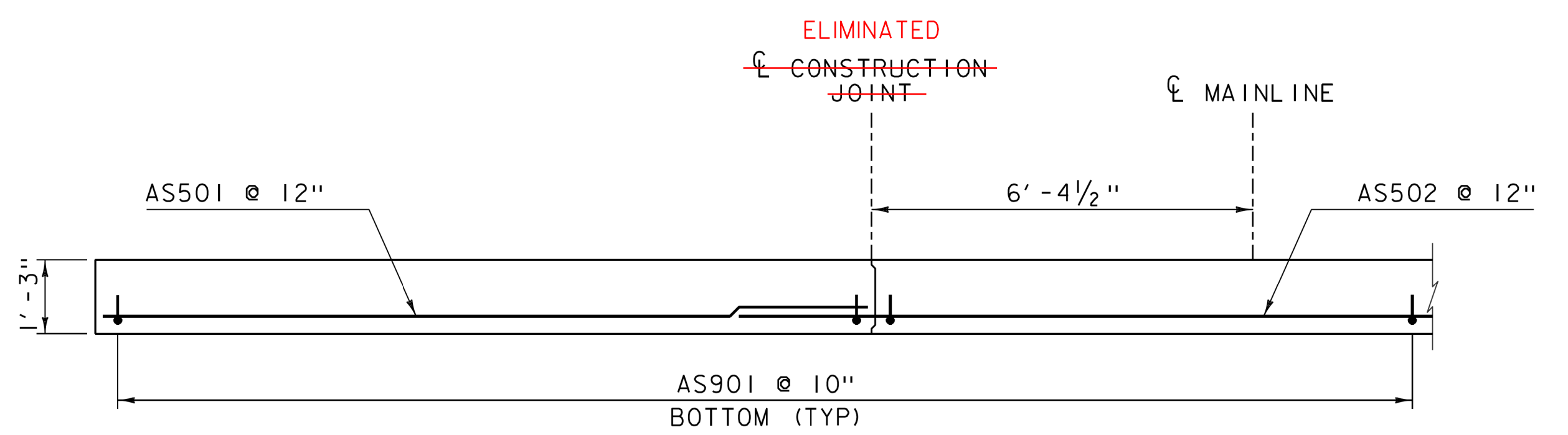


APPROACH SLAB #1 PLAN VIEW
SCALE 1/4" = 1'-0"

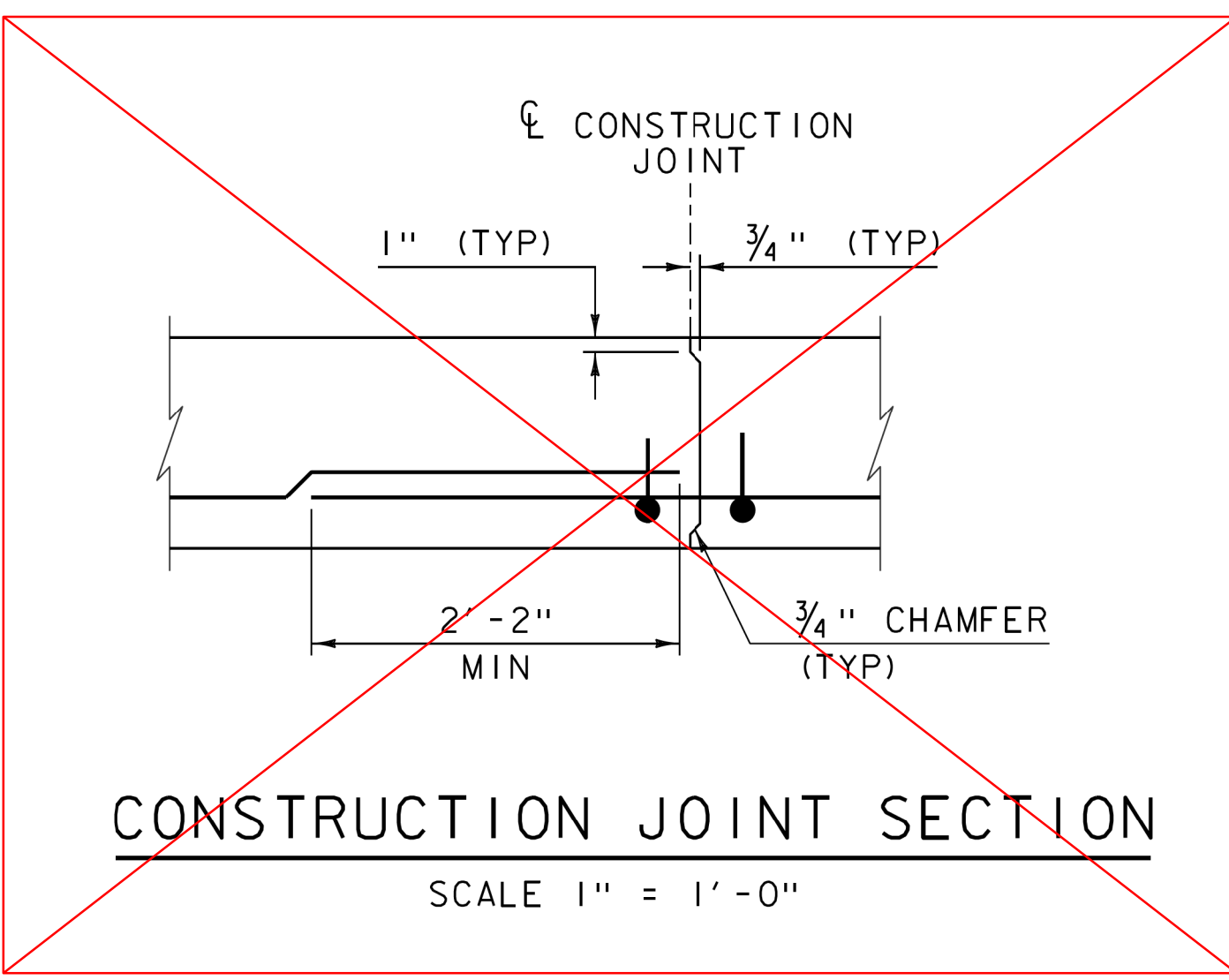


APPROACH SLAB #2 PLAN VIEW
NOT TO SCALE



SECTION A-A
SCALE 1/2" = 1'-0"

APPROACH SLABS WERE PLACED FULL WIDTH,
TRANSVERSE REBAR - 1AS501 & 1AS502 WERE
STAGGERED



CONSTRUCTION JOINT SECTION
SCALE 1" = 1'-0"

APPROACH SLAB #1			
	STATION	OFFSET	ELEVATION
1A	392+87.68	-19.50	1300.19
BEGIN AS #1	392+92.14	CL	1299.06
1B	392+96.70	19.50	1297.93
1C	393+07.45	-19.50	1299.92
END AS #1	393+12.14	CL	1298.78
1D	393+16.94	19.50	1297.63

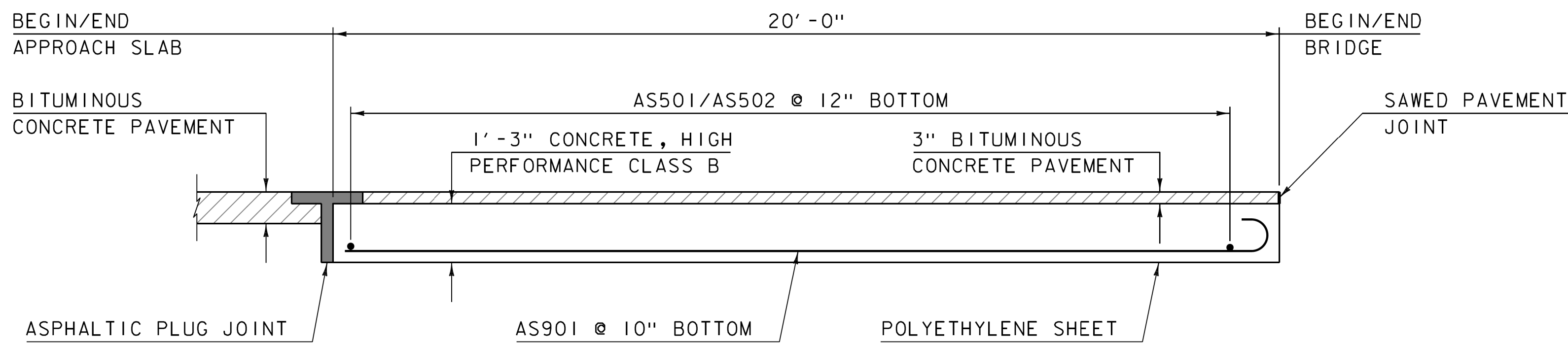
APPROACH SLAB #2			
	STATION	OFFSET	ELEVATION
2A	393+88.22	-19.50	1298.49
BEGIN AS #1	393+93.87	CL	1297.30
2B	393+99.65	19.50	1296.11
2C	394+07.98	-19.50	1298.06
END AS #2	394+13.87	CL	1296.86
2D	394+19.89	19.50	1295.65

APPROACH SLAB ELEVATIONS
ALL ELEVATIONS ARE TOP OF SLAB

APPROACH SLAB #1	A1	103°
	A2	77°

APPROACH SLAB #2	A1	107°
	A2	73°

NOTE:
1. REINFORCING STEEL FOR APPROACH SLAB #1 SHALL BE SIMILAR TO APPROACH SLAB #2.



APPROACH SLAB ELEVATION VIEW
SCALE 1/2" = 1'-0"

NOTE:
NF = NEAR FACE
FF = FAR FACE
EF = EACH FACE
3" CLEAR, UNLESS OTHERWISE SPECIFIED ON THE PLANS.
2'-2" BAR LAP UNLESS OTHERWISE SPECIFIED ON THE PLANS.

△ SHEET REVISED 5/2/2014.
REPLACES SHEET 28 IN CONTRACT PLANS.

PROJECT NAME:	MARLBORO	FILE NAME:	s10b414opslab.dgn	PLOT DATE:	02-MAY-2014
PROJECT NUMBER:	BRF 010-1(43)	PROJECT LEADER:	K. HIGGINS	DRAWN BY:	R. KLINFELTER
		DESIGNED BY:	R. KLINFELTER	CHECKED BY:	J. SALVATORI
		APPROACH SLAB DETAILS			SHEET 28 OF 50