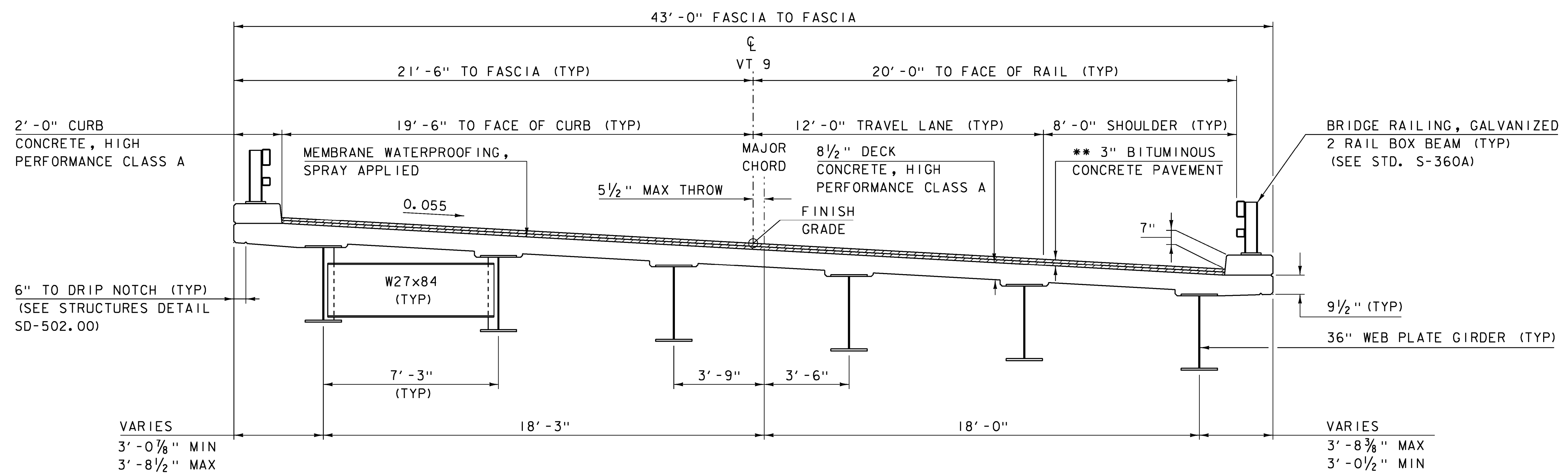


ROADWAY TYPICAL SECTION

SCALE: $\frac{3}{8}$ " = 1'-0"



** 2 LIFTS OF 1 1/2" SUPERPAVE BITUMINOUS CONCRETE PAVEMENT, TYPE IVS

BRIDGE TYPICAL SECTION

SCALE: $\frac{3}{8}$ " = 1'-0"

△ - REVISED 4/8/2014.
REPLACES SHEET 6 IN CONTRACT PLANS.

MATERIAL TOLERANCES
(IF USED ON PROJECT)

SURFACE	
- PAVEMENT (TOTAL THICKNESS)	+/- 1/4"
- AGGREGATE SURFACE COURSE	+/- 1/2"
SUBBASE	
	+/- 1"
SAND BORROW	
	+/- 1"

PROJECT NAME: MARLBORO
PROJECT NUMBER: BRF 010-1(43)

FILE NAME: sl0b414typ.dgn
PROJECT LEADER: K. HIGGINS
DESIGNED BY: R. KLINEFELTER
TYPICAL SECTIONS I

PLOT DATE: 08-APR-2014
DRAWN BY: K. FRIEDLAND
CHECKED BY: J. SALVATORI
SHEET 6 OF 50