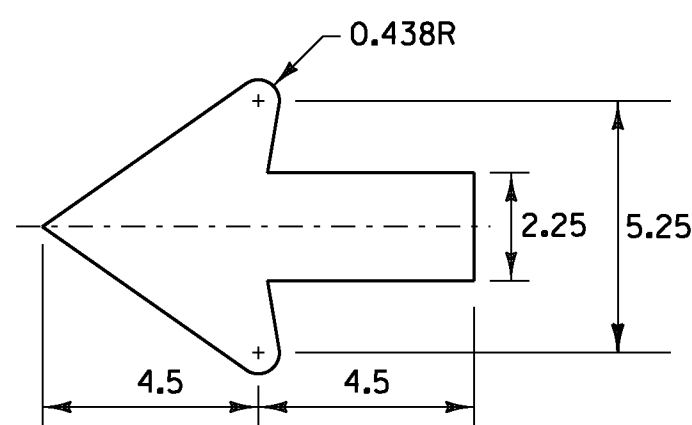
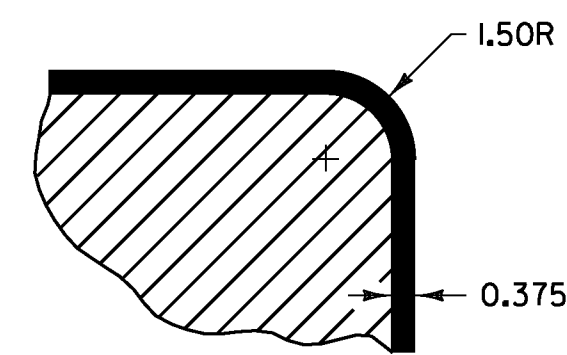


DESTINATION SIGN (VD1-1, VD1-1A, VD1-2, VD2-1) ASSEMBLY:

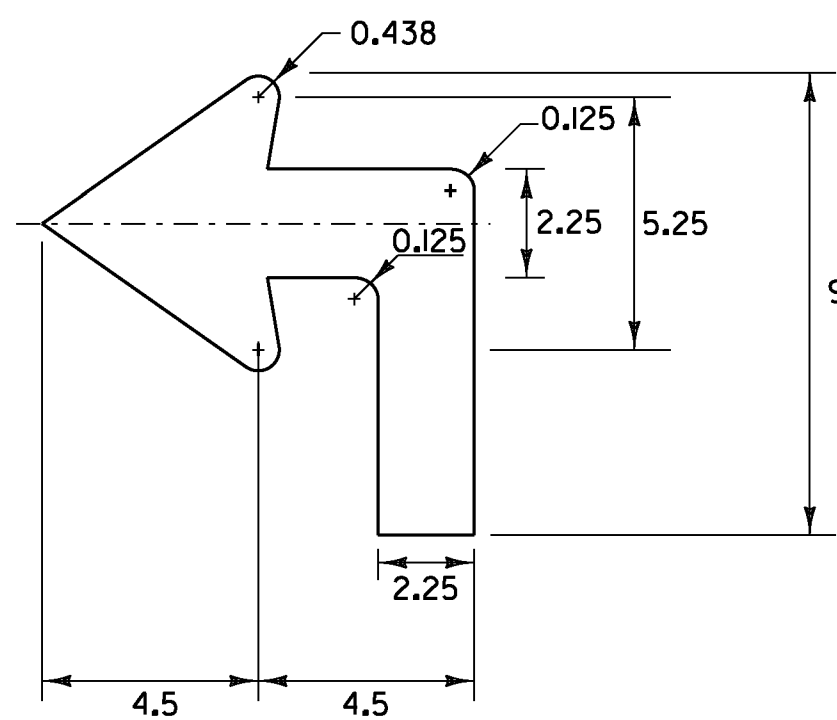
1. THE DESTINATION SIGN DETAILS SHOWN ON SHEETS 6 AND 7 SHALL HAVE WHITE RETROREFLECTIVE ASTM TYPE III OR IV TEXT, ARROWS AND BORDERS ON A GREEN RETROREFLECTIVE ASTM TYPE III OR IV BACKGROUND.
2. FONT SPACING SHOWN ON AN INDIVIDUAL SIGN DETAIL MAY BE ADJUSTED SLIGHTLY TO MEET DIMENSION REQUIREMENT(S).
3. DIMENSIONS SHOWN ON THE INDIVIDUAL SIGN DETAILS MAY BE ADJUSTED SLIGHTLY TO ACCOMMODATE VARIOUS MANUFACTURER'S LETTER WIDTHS.



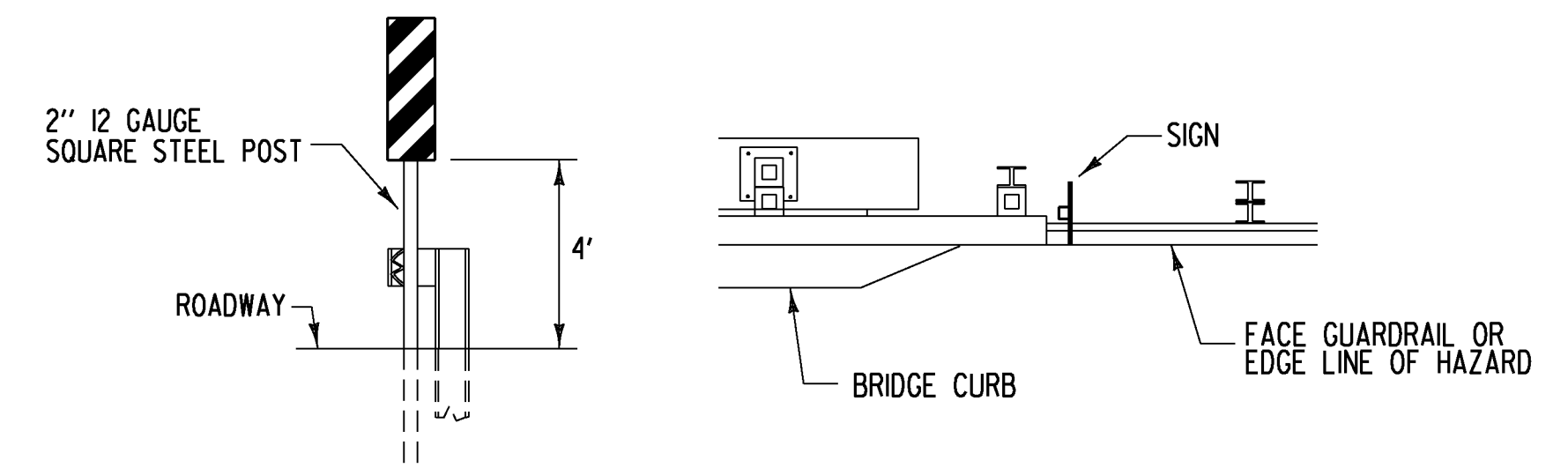
STANDARD SHS 2.25" ARROW



BORDER DETAIL



ADVANCE 2.25" ARROW

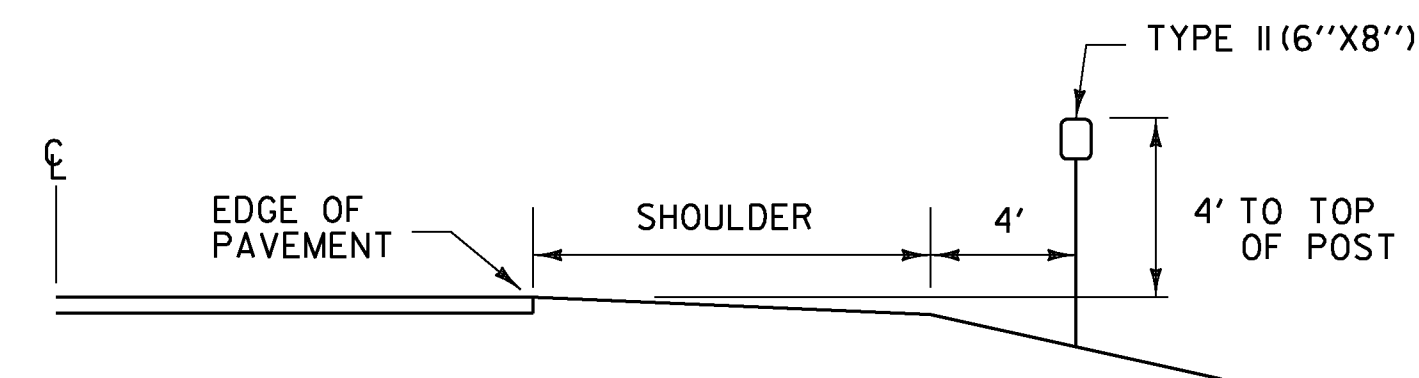


ELEVATION

PLAN VIEW

OBJECT MARKER (OM3-L or OM3-R) INSTALLATION:

1. OBJECT MARKER SHOULD BE INSTALLED SO THAT THE INSIDE EDGE OF THE SIGN IS AS CLOSE AS POSSIBLE TO THE FACE OF GUARDRAIL OR INSIDE EDGE OF THE HAZARD.
2. THE SIGN SHALL BE MOUNTED SO THE DIAGONAL STRIPES SLOPE DOWNWARDS TOWARD THE ROAD CENTERLINE.
3. ASSEMBLY HARDWARE SHALL CONFORM TO SUBSECTION 750.12 (c). RIVETS SHALL NOT BE USED.
4. SIGN BASE MATERIAL SHALL BE 0.100" FLAT SHEET ALUMINUM.
5. MOUNTING HARDWARE FOR SIGNS ATTACHED TO ABUTMENTS OR HAZARDS SHALL BE APPROVED BY THE ENGINEER.
6. PAYMENT FOR ALL MATERIALS AND LABOR NECESSARY TO ATTACH AN OM3(L/R) SIGN TO ANYTHING OTHER THAN A SIGN POST WILL BE PAID FOR AS ONE 2" SQUARE STEEL SIGN POST 15 FEET LONG.



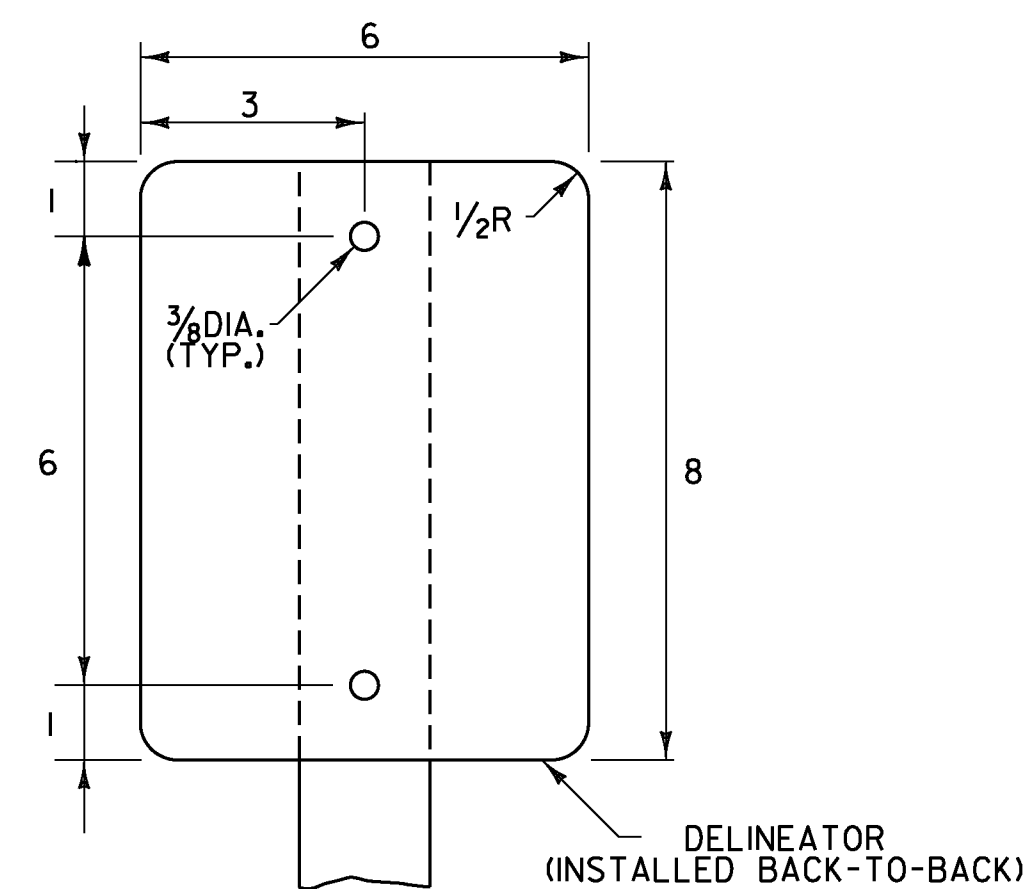
DELINEATOR LOCATIONS:

TOWN:	DIRECTION:	MILE POINT:	NO. OF NEW TYPE II (POSTS):	NO. OF REMOVALS:	POST SPACING:	SHEET:
WOODFORD	EB	4.856-4.996	30 (15)		50 FT	14

DELINEATORS WITH RETROREFLECTIVE SHEETING:

1. MATERIAL FOR A TYPE II (6"x8") DELINEATOR SHALL BE A 0.063" ALUMINUM BACKING WITH WHITE ASTM TYPE III OR IV RETROREFLECTIVE SHEETING APPLIED TO ONE SIDE.
2. ALL TYPE II (6"x8") DELINEATOR POSTS SHALL BE 1.75" SQUARE STEEL, 1.88 LB/FT (14 GAUGE) WITH A 12 GAUGE ANCHOR. ANCHOR REVEAL OF 2" MAXIMUM.
3. DELINEATOR POSTS SHALL HAVE A MINIMUM EMBEDMENT OF 2'-6" IN THE GROUND.
4. ALL WORK ASSOCIATED WITH INSTALLING NEW TYPE II (6"x8") DELINEATORS SHALL BE PAID FOR UNDER ITEM 676.10 DELINEATOR WITH STEEL POST.

DELINEATOR PLACEMENT



TYPE II (6"x8") DELINEATOR

ALL DIMENSIONS SHOWN IN INCHES, EXCEPT WHERE NOTED.

PROJECT NAME:	WOODFORD - MARLBORO	PLOT DATE:	10-APR-2012
PROJECT NUMBER:	STPG SIGN (35)	DRAWN BY:	J. KELLY
FILE NAME:	IOC332.SD_I	DESIGNED BY:	J. KELLY
PROJECT LEADER:	A. GAMBLE	CHECKED BY:	A. GAMBLE
SIGN DETAILS I		SHEET	5 OF 80

NOT TO SCALE