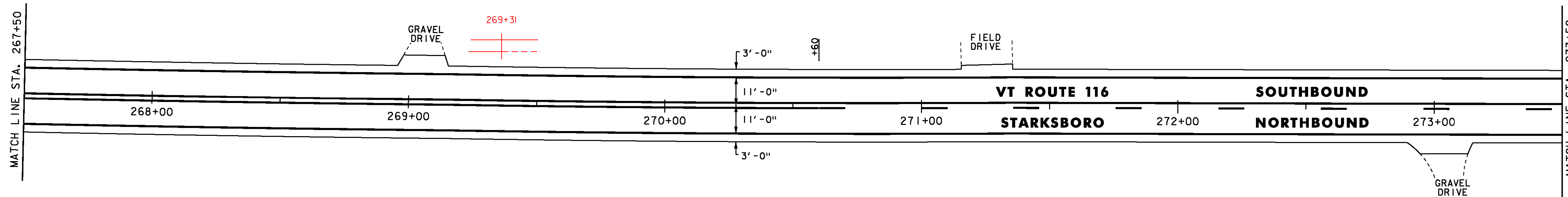


DURABLE 4 INCH WHITE LINE
 (ALL LINES WILL INCLUDE EDGE LINE BREAKS AND
 RADII FOR SIDE ROADS)
 STA. 267+50 TO 273+50, SOLID LT & RT

TEMPORARY 4 INCH WHITE LINE, PAINT
 (ALL LINES WILL INCLUDE EDGE LINE BREAKS AND
 RADII FOR SIDE ROADS)
 STA. 267+50 TO 273+50, SOLID LT & RT

DURABLE 4 INCH YELLOW LINE
 (ALL LINES WILL INCLUDE ϕ BREAKS FOR SIDE ROADS)
 STA. 267+50 TO 270+60, SOLID LT & RT
 STA. 270+60 TO 273+50, SOLID LT, DASHED RT

TEMPORARY 4 INCH YELLOW LINE, PAINT
 (ALL LINES WILL INCLUDE ϕ BREAKS FOR SIDE ROADS)
 STA. 267+50 TO 270+60, SOLID LT & RT
 STA. 270+60 TO 273+50, SOLID LT, DASHED RT



STEEL BEAM GUARDRAIL, GALVANIZED
 STA. 279+05 TO 279+50, LT

DURABLE 4 INCH WHITE LINE
 (ALL LINES WILL INCLUDE EDGE LINE BREAKS AND
 RADII FOR SIDE ROADS)
 STA. 273+50 TO 279+50, SOLID LT & RT

TEMPORARY 4 INCH WHITE LINE, PAINT
 (ALL LINES WILL INCLUDE EDGE LINE BREAKS AND
 RADII FOR SIDE ROADS)
 STA. 273+50 TO 279+50, SOLID LT & RT

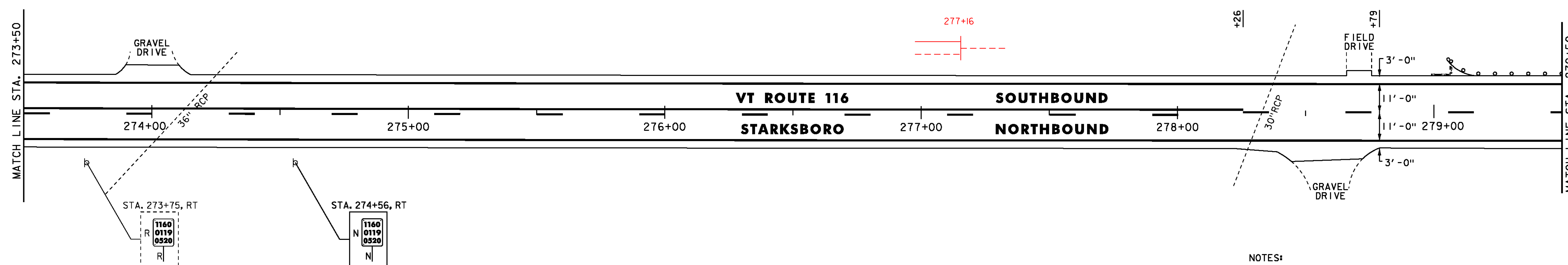
REMOVING SIGNS
 AS SHOWN - 1

ANCHOR FOR STEEL BEAM RAIL
 STA. 279+05, LT

DURABLE 4 INCH YELLOW LINE
 (ALL LINES WILL INCLUDE ϕ BREAKS FOR SIDE ROADS)
 STA. 273+50 TO 278+26, SOLID LT, DASHED RT
 STA. 278+26 TO 279+50, DASHED ϕ

TEMPORARY 4 INCH YELLOW LINE, PAINT
 (ALL LINES WILL INCLUDE ϕ BREAKS FOR SIDE ROADS)
 STA. 273+50 TO 278+26, SOLID LT, DASHED RT
 STA. 278+26 TO 279+50, DASHED ϕ

REMOVAL AND DISPOSAL OF GUARDRAIL
 STA. 279+07 TO 279+50, LT



- NOTES:
 1. FOR LEGENDS, SEE SHEET 21.
 2. ALL EXISTING SIGNS NOT SHOWN SHALL BE RETAINED.
 3. SEE QUANTITY SHEETS FOR DURABLE PAVEMENT MARKING OPTIONS.

NOT TO SCALE

**PROJECT
 LAYOUT
 SHEET #19**



PROJECT NAME: STARKSBORO-HINESBURG
 PROJECT NUMBER: STP 2930(I)

FILE NAME: p10b266.dgn
 PROJECT LEADER: JLL
 DESIGNED BY: STANTEC
 IPARM FILE: p10b266119.i

PLOT DATE: 28-NOV-2012
 DRAWN BY: STANTEC
 CHECKED BY: MCF
 SHEET 39 OF 119