

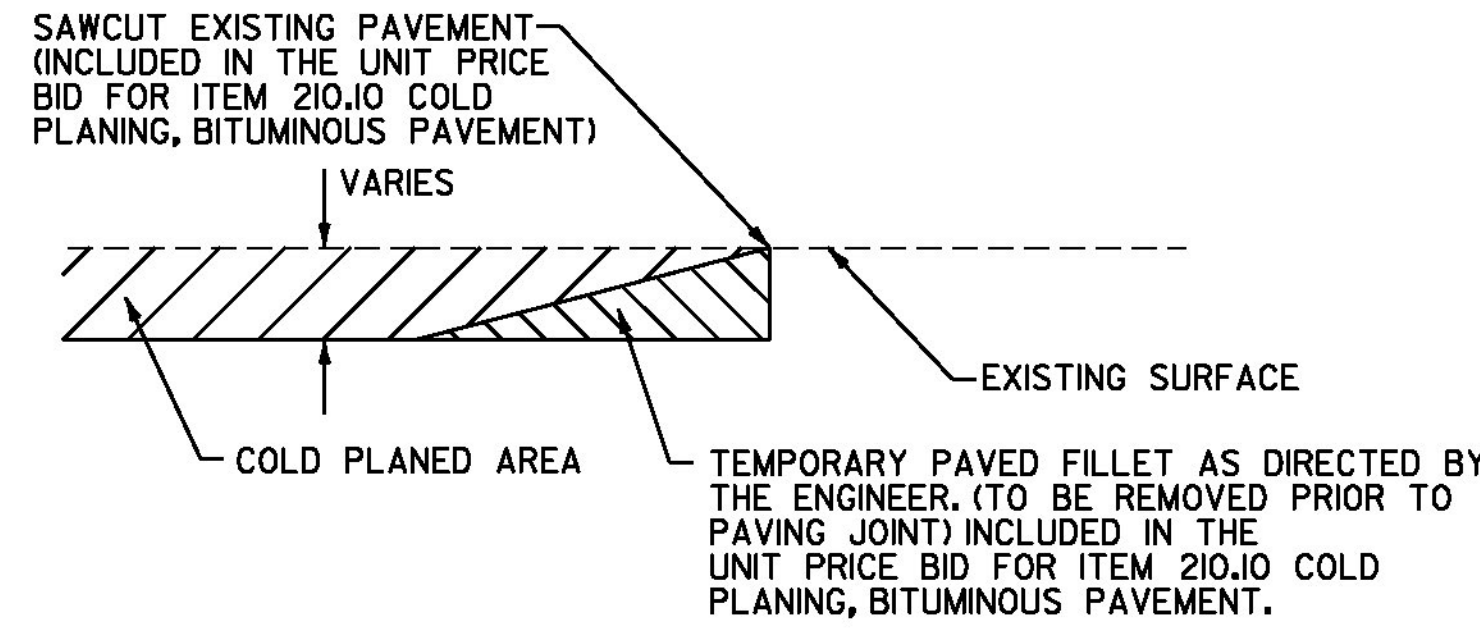
AREA TO BE COLD PLANED (PAVED SIDE ROADS) PAYMENT SHALL BE INCLUDED IN THE UNIT PRICE BID FOR ITEM 210.10 COLD PLANING, BITUMINOUS PAVEMENT.
 AREA TO BE EXCAVATED (GRAVEL SIDE ROADS) PAYMENT SHALL BE INCLUDED IN THE UNIT PRICE BID FOR ITEM 608.15 POWER GRADER RENTAL.
 TEMPORARY PAVED FILLET AS DIRECTED BY THE ENGINEER. (TO BE REMOVED PRIOR TO PAVING JOINT) INCLUDED IN THE UNIT PRICE BID FOR ITEM 210.10 COLD PLANING, BITUMINOUS PAVEMENT.

OVERLAY APPROACH AREA DETAIL - SIDE ROADS

NOTE: THIS DETAIL SHALL BE USED AT THE LOCATIONS LISTED BELOW AS DIRECTED BY THE ENGINEER.

FULL ROADWAY WIDTH

- STARKSBORO:**
 STA. 111+80, LT (TATRO ROAD)
 STA. 155+75, RT (BIG HOLLOW ROAD)
 STA. 216+94, LT (STATES PRISON HOLLOW ROAD)
 STA. 244+43, LT (CEMETERY ROAD)
 STA. 257+78, RT (VARNEY HILL ROAD)
HINESBURG:
 STA. 14+87, LT (TYLER BRIDGE ROAD)
 STA. 44+79, RT (HOLLOW ROAD)
 STA. 56+28, LT (HINES ROAD)
 STA. 66+11, RT (OLD ROUTE 116)
 STA. 88+32, RT (OLD ROUTE 116)
 STA. 121+12, RT (NORTH ROAD)
 STA. 164+31, LT (GILMAN ROAD)
 STA. 164+38, RT (BEECHER HILL ROAD)
 STA. 176+33, RT (LAVIGNE HILL ROAD)
 STA. 205+56, RT (BUCK HILL ROAD WEST)
 STA. 287+47, LT (SHELBURNE FALLS ROAD)
 STA. 287+54, RT (CVU ROAD)
 STA. 315+58, RT (PLACE ROAD WEST)



DETAIL AT VERTICAL COLD PLANE JOINTS

NOTE: THIS DETAIL SHALL BE USED AT THE LOCATIONS LISTED BELOW AS DIRECTED BY THE ENGINEER.

FULL ROADWAY WIDTH

- STARKSBORO:**
 STA. 144+98, LT (PARSONAGE ROAD)
HINESBURG:
 STA. 231+47, LT (SILVER STREET)
 STA. 240+02, LT (CHARLOTTE ROAD)
 STA. 240+07, RT (LANTMAN'S EXIT)
 STA. 250+58, RT (MECHANICSVILLE ROAD)
 STA. 260+68, LT (FARMALL DRIVE)
 STA. 260+74, RT (COMMERCE STREET)

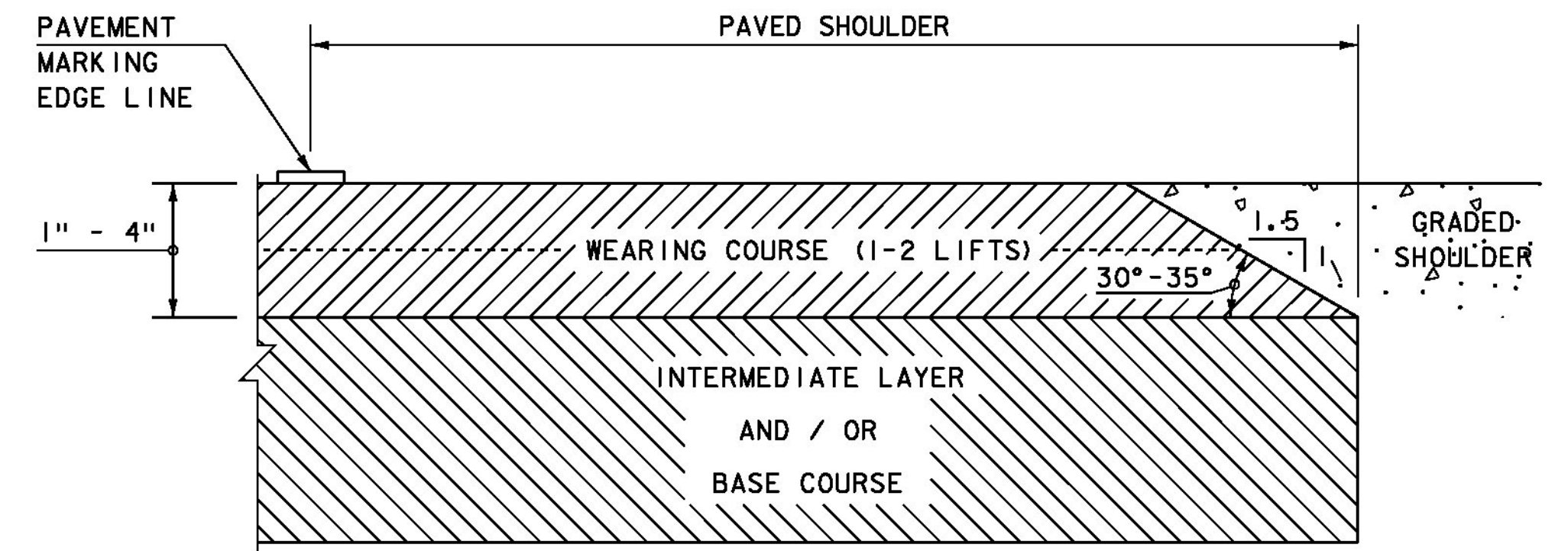
SEEDING FORMULA

RATE: DOUBLE IF HYDROSEEDING

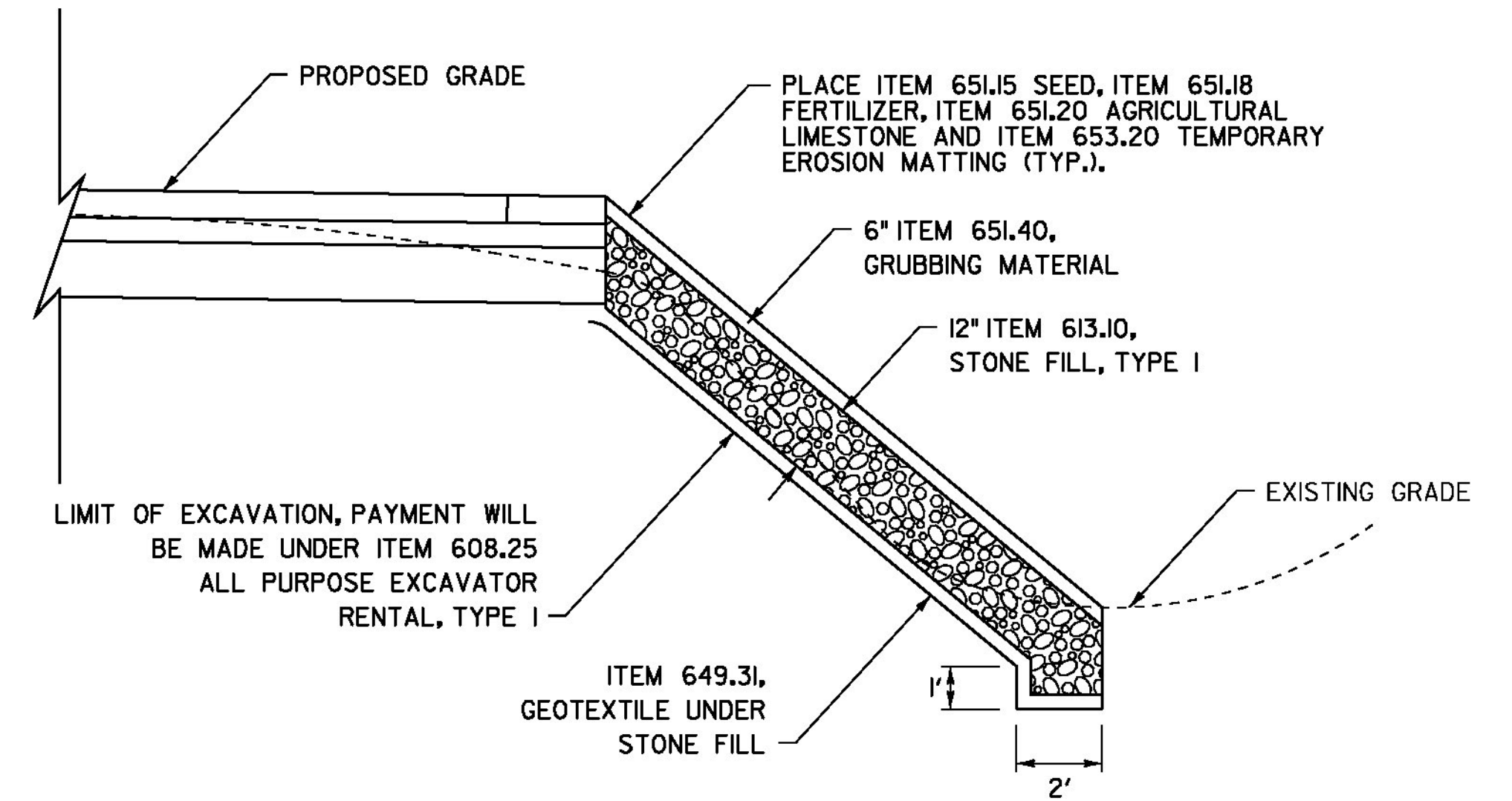
% WT.	LBS./A.	NAME	PUR %	GERM %
38	32	CREEPING RED FESCUE	98	90
29	24	SPARTAN HARD FESCUE	95	85
15	12	AZAY SHEEP'S FESCUE	95	87
15	12	ANNUAL RYE GRASS	95	90
3	--	INERTS	--	--
100.0	80 LB/A			

NOTES

- SEED MIXTURE: SHALL NOT HAVE A WEED CONTENT EXCEEDING 0.40% BY WEIGHT AND SHALL BE FREE OF ALL NOXIOUS SEED.
 SEED ITEM 651.15: TO BE APPLIED PER SEEDING FORMULAS OR AS DIRECTED BY THE ENGINEER.
 FERTILIZER ITEM 651.18: FORMULA 10-20-10, TO BE USED WITH SEED, APPLIED AT THE RATE OF 500 LBS./ACRE. (HYDRO SEEDERS MAY USE 19-19-19 FORMULA)
 AGRICULTURAL LIMESTONE ITEM 651.20: TO BE APPLIED AT THE RATE OF 2 TONS/ACRE, OR AS DIRECTED BY THE ENGINEER.
 HAY MULCH ITEM 651.25: TO BE PLACED ON THE EARTH SLOPES AT THE RATE OF 2 TONS/ACRE, OR AS DIRECTED BY THE ENGINEER.
 TOPSOIL ITEM 651.35: TO BE USED WITH SEED AS INDICATED ON THE PLANS, OR AS DIRECTED BY THE ENGINEER.



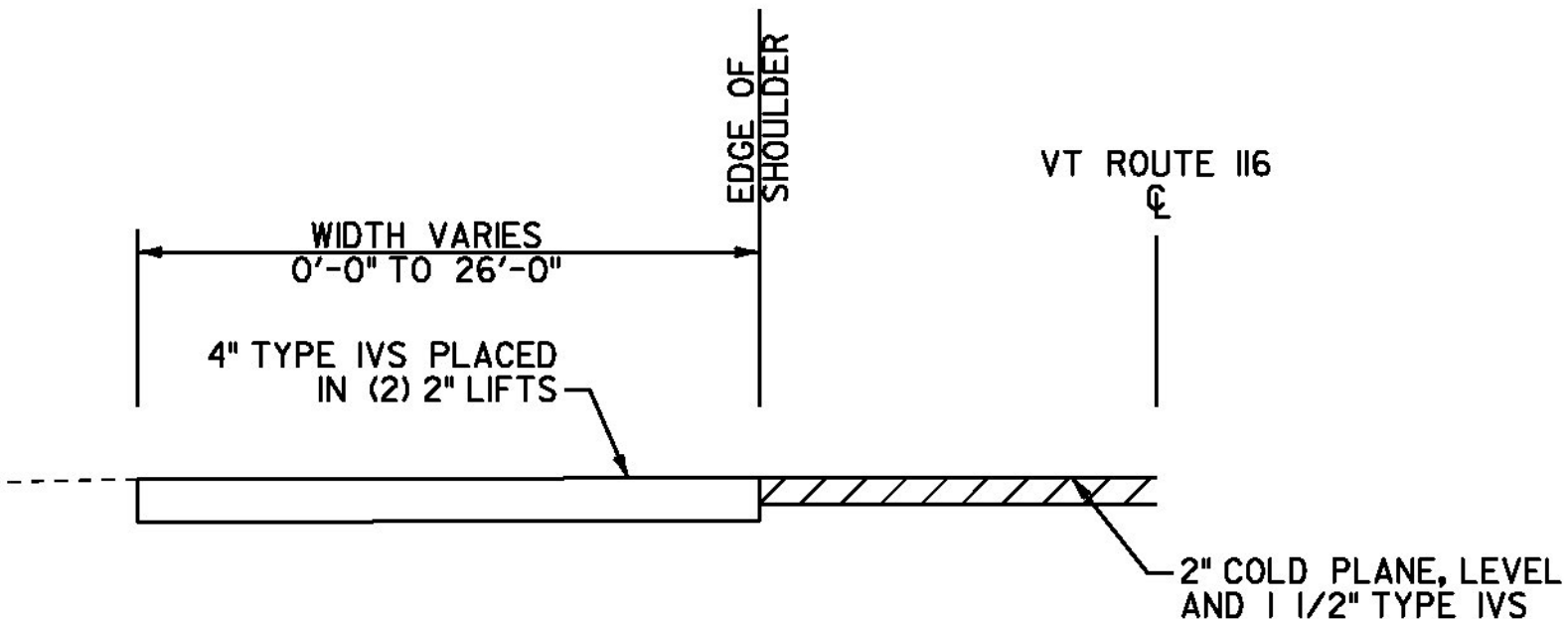
SAFETY EDGE DETAIL
 NOT TO SCALE



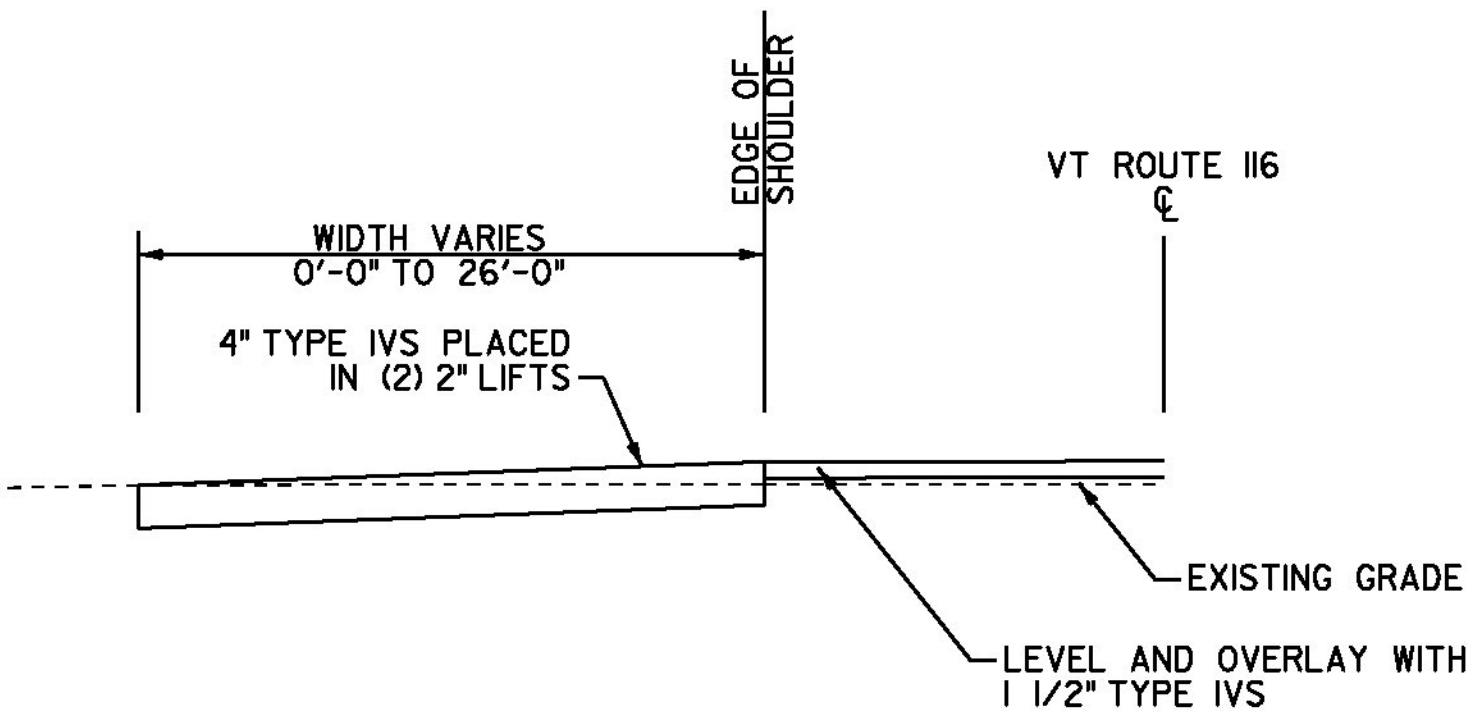
SLOPE EROSION PREVENTION DETAIL

- STARKSBORO:**
 STA. 114+29 TO 114+35, LT
 STA. 114+52 TO 114+85, LT
 STA. 115+33 TO 116+17, LT
HINESBURG:
 STA. 76+75 TO 76+81, LT
 STA. 105+86 TO 105+92, LT
 STA. 107+46 TO 107+52, LT
 STA. 107+73 TO 107+79, LT
 STA. 107+85 TO 107+98, LT
 STA. 108+45 TO 108+55, LT
 STA. 109+49 TO 109+58, LT
 STA. 109+88 TO 109+97, LT
 STA. 110+26 TO 110+32, LT
 STA. 127+79 TO 127+87, LT
 STA. 143+74 TO 143+80, RT
 STA. 144+37 TO 144+43, RT
 STA. 288+74 TO 288+80, LT
 STA. 289+21 TO 289+27, LT
 STA. 327+37 TO 327+43, LT
 STA. 327+69 TO 327+75, LT
 STA. 327+77 TO 327+83, LT
 STA. 327+92 TO 328+10, LT
 STA. 329+16 TO 329+22, RT

NOT TO SCALE



PAVED PULL-OFF DETAIL IN COLD PLANE AREAS
 STARKSBORO STA. 168+80, LT.



PAVED PULL-OFF DETAIL IN OVERLAY AREAS
 STARKSBORO STA. 201+75, RT
 STARKSBORO STA. 300+60, LT

PAVED PULL-OFF

NOTES:

- GRADE EXISTING GRAVEL PULL-OFF AS NECESSARY TO PROVIDE A SMOOTH SURFACE OR AS DIRECTED BY THE ENGINEER. PAYMENT SHALL BE PAID BY ITEM 608.15 POWER GRADER RENTAL. ANY EXCAVATION REQUIRED, SHALL BE PAID AS ITEM 203.15 COMMON EXCAVATION.
- AN ESTIMATED QUANTITY OF ITEM 900.675 SPECIAL PROVISION (HAND-PLACED BITUMINOUS CONCRETE MATERIAL, DRIVES) FOR WORK AT BOTH ENDS OF THE PULL-OFF HAS BEEN INCLUDED FOR USE AS DIRECTED BY THE ENGINEER.



**PROJECT
 TYPICAL
 SHEET #3**

PROJECT NAME: STARKSBORO-HINESBURG
 PROJECT NUMBER: STP 2930(1)

FILE NAME: p10b266.dgn PLOT DATE: 28-NOV-2012
 PROJECT LEADER: JLL DRAWN BY: STANTEC
 DESIGNED BY: STANTEC CHECKED BY: MCF
 IPARM FILE: p10b266pts03.i SHEET 4 OF 119