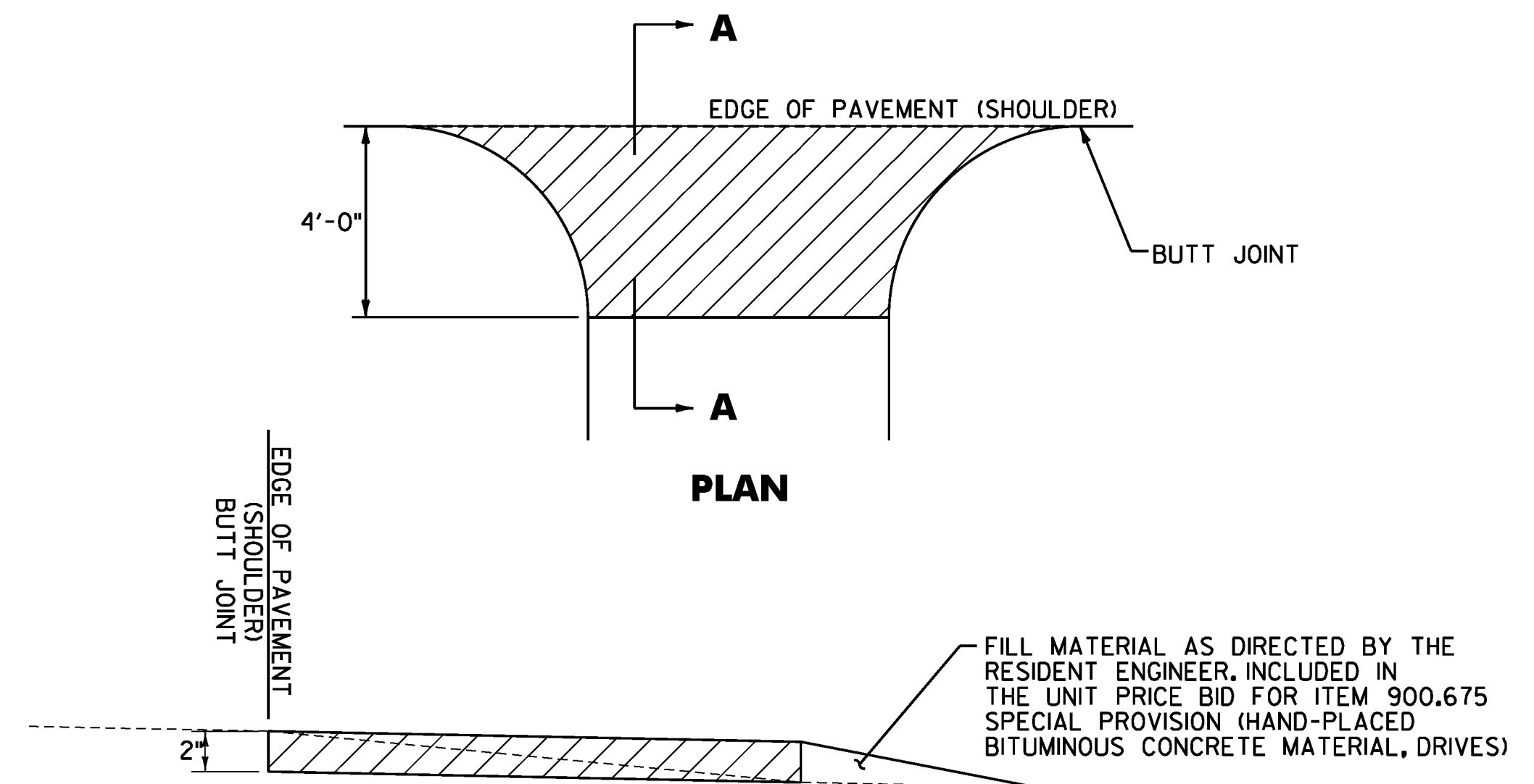
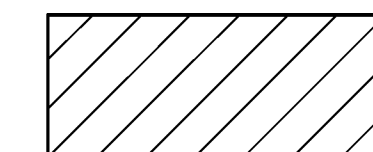


SAFETY EDGE DETAIL
NOT TO SCALE



SECTION A-A

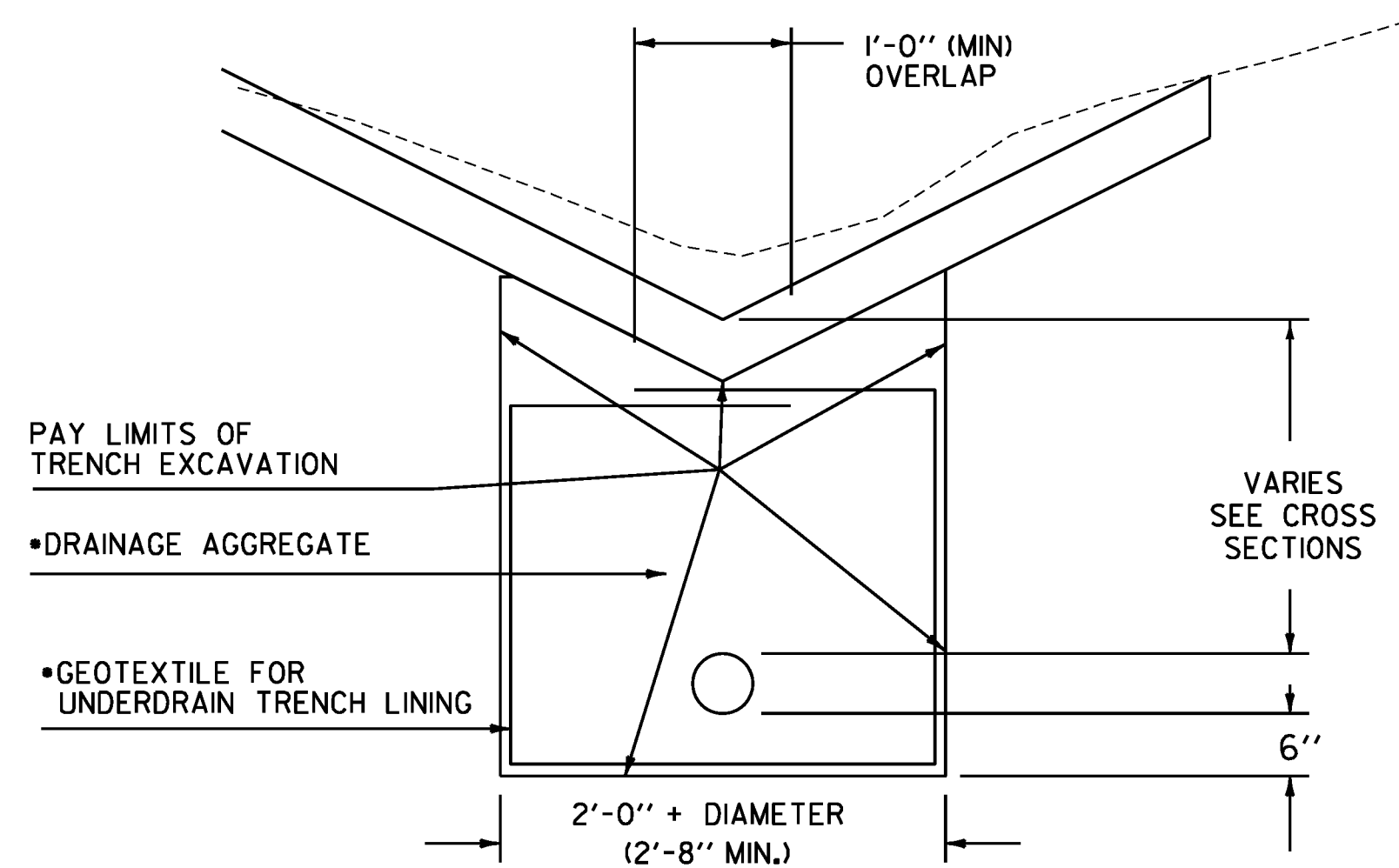
LEGEND



ITEM 900.675 SPECIAL PROVISION (HAND-PLACED BITUMINOUS CONCRETE MATERIAL, DRIVES)

HANDWORK DETAILS FOR GRAVEL DRIVES

- NOTES:
1. PAVING LIFT SHALL BE A MINIMUM OF 1 1/2 " AND A MAXIMUM OF 2".
 2. THE COST OF PROVIDING AND PLACING SUBBASE MATERIAL, CLEANING EXISTING PAVED SURFACES, INCLUDING POWER EQUIPMENT, AND FOR FILLING JOINTS, CRACKS AND HOLES WILL NOT BE PAID DIRECTLY BUT WILL BE INCLUDED IN THE UNIT PRICE BID FOR ITEM 900.675 SPECIAL PROVISION (HAND-PLACED BITUMINOUS CONCRETE MATERIAL, DRIVES).
 3. EXCAVATION NEEDED TO ACHIEVE PROPER DRIVE SLOPES WILL NOT BE PAID DIRECTLY BUT WILL BE INCLUDED IN THE UNIT PRICE BID FOR ITEM 900.675 SPECIAL PROVISION (HAND-PLACED BITUMINOUS CONCRETE MATERIAL, DRIVES).



DRAINAGE AGGREGATE SHALL MEET THE REQUIREMENTS OF SUBSECTION 704.16
 • ITEMS ARE INCLUDED IN THE UNIT PRICE BID FOR PAY ITEM 605.10 6 INCH UNDERDRAIN PIPE

UNDERDRAIN DETAIL
NOT TO SCALE

- NOTES:
1. GEOTEXTILE FOR UNDERDRAIN TRENCH LINING SHALL NOT BE PLACED AROUND UNDERDRAIN WHEN COVER ABOVE UNDERDRAIN IS LESS THAN 1 FOOT.
 2. THE END OF THE UNDERDRAIN PIPE AT THE BEGINNING OF ALL UNDERDRAIN RUNS SHALL BE WRAPPED IN GEOTEXTILE FABRIC. PAYMENT FOR THIS WORK IS INCLUDED IN THE UNIT PRICE BID FOR ITEM 605.10 6 INCH UNDERDRAIN PIPE.

NOT TO SCALE



**PROJECT
TYPICAL
SHEET 2**

PROJECT NAME: FLETCHER
 PROJECT NUMBER: STP 027-1(22)

FILE NAME: ...\\p11b064 Plot Boundary.dgn PLOT DATE: 11/16/2012
 PROJECT LEADER: GAE DRAWN BY: STANTEC
 DESIGNED BY: ISM CHECKED BY: MCF
PROJECT TYPICAL SHEET 2 SHEET 351 OF 387