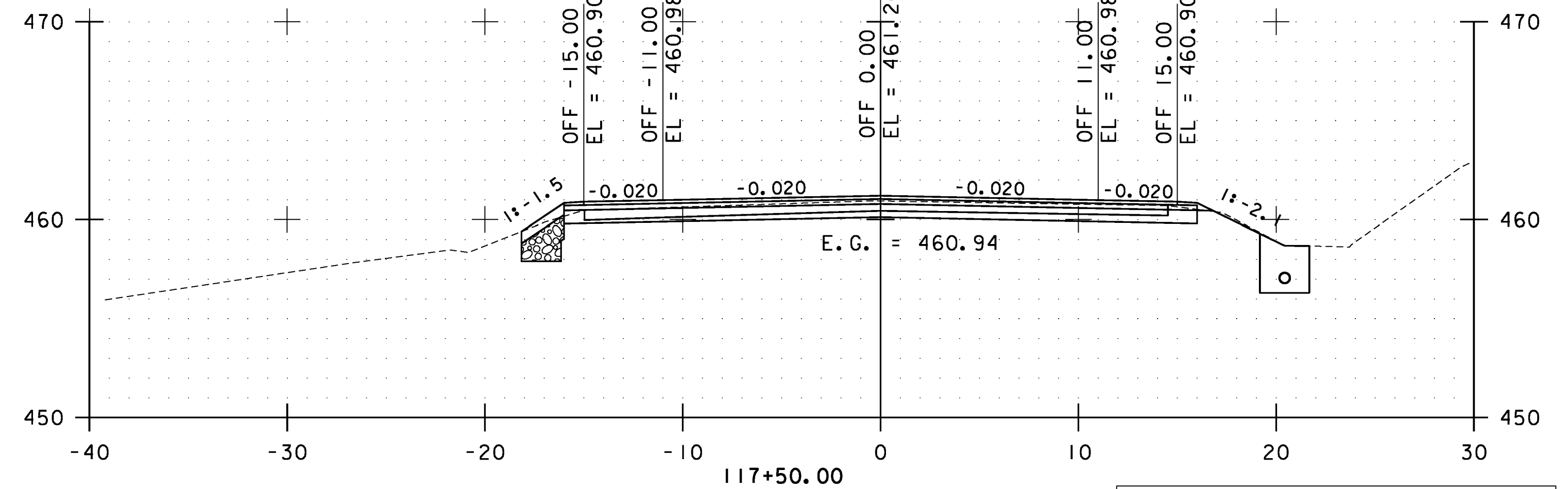
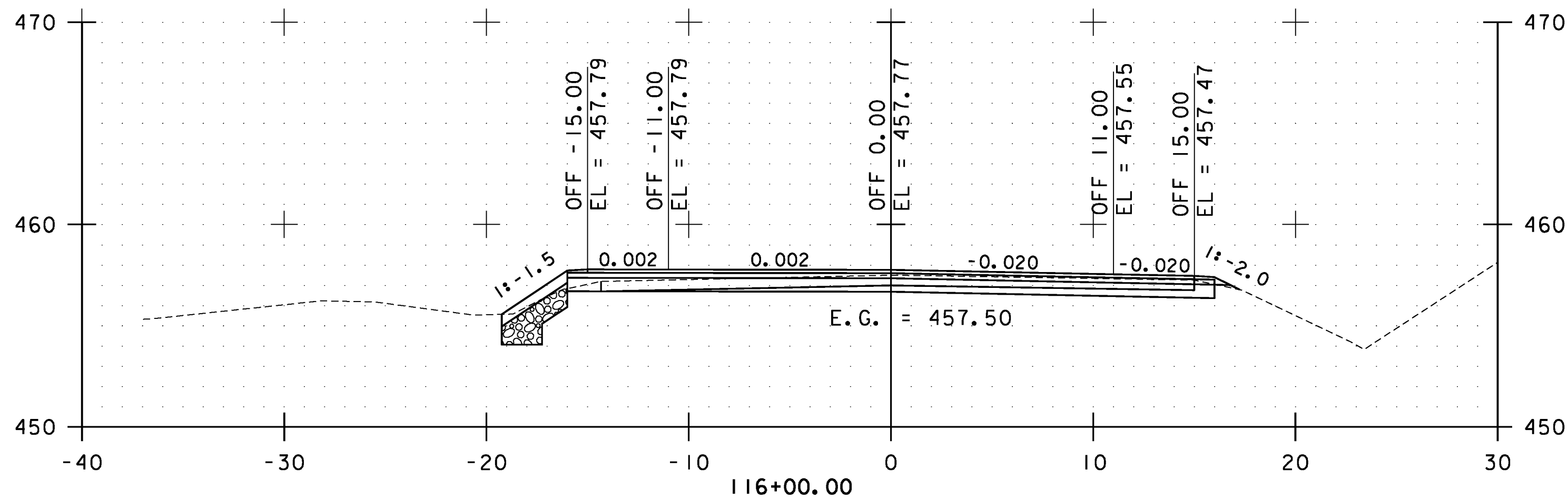
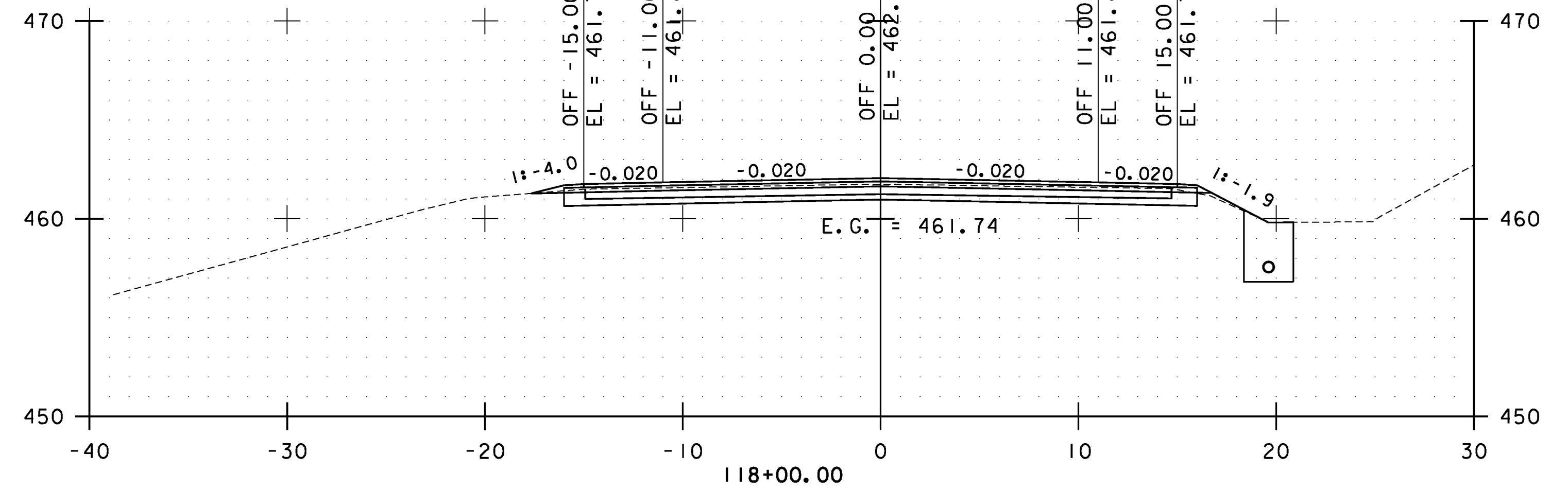
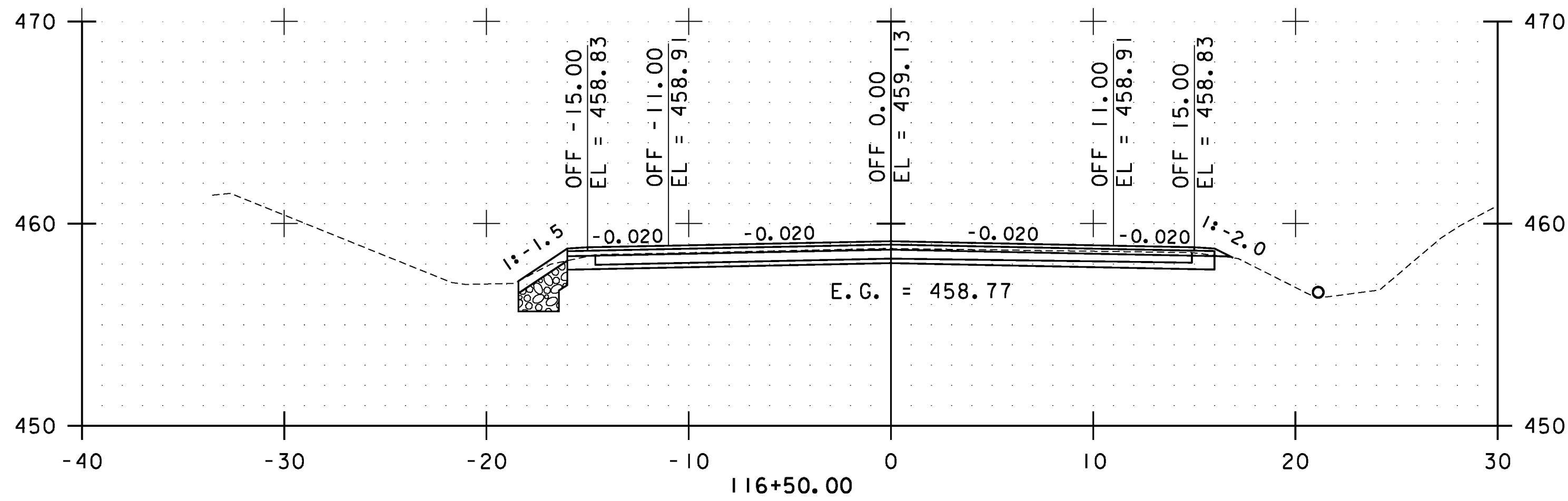
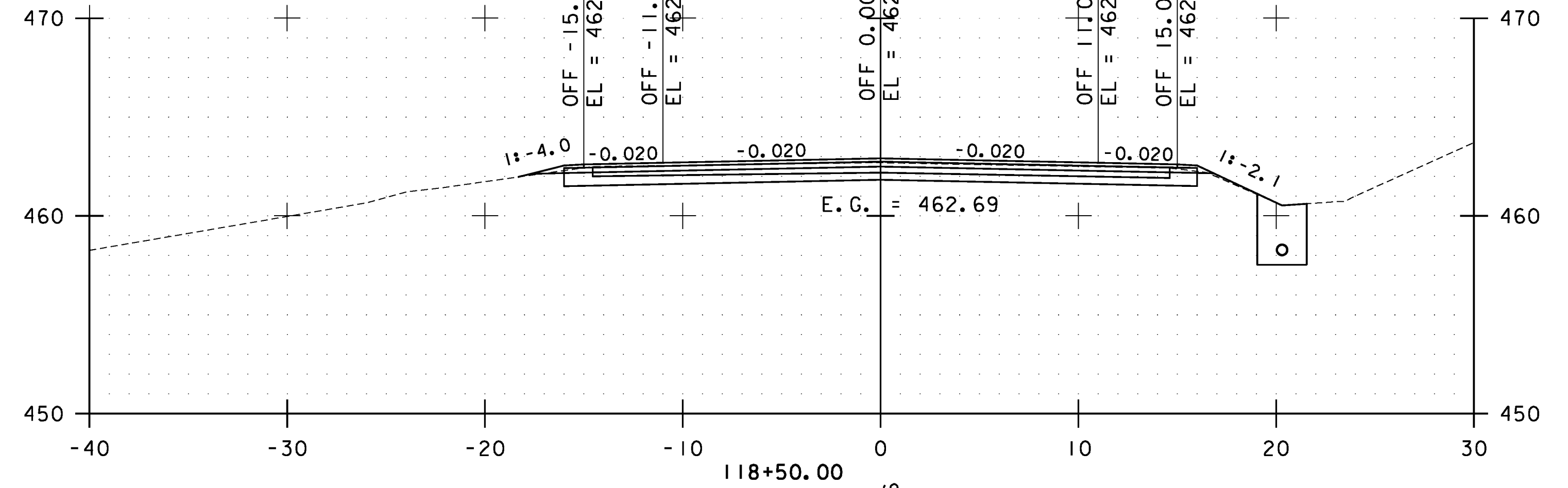
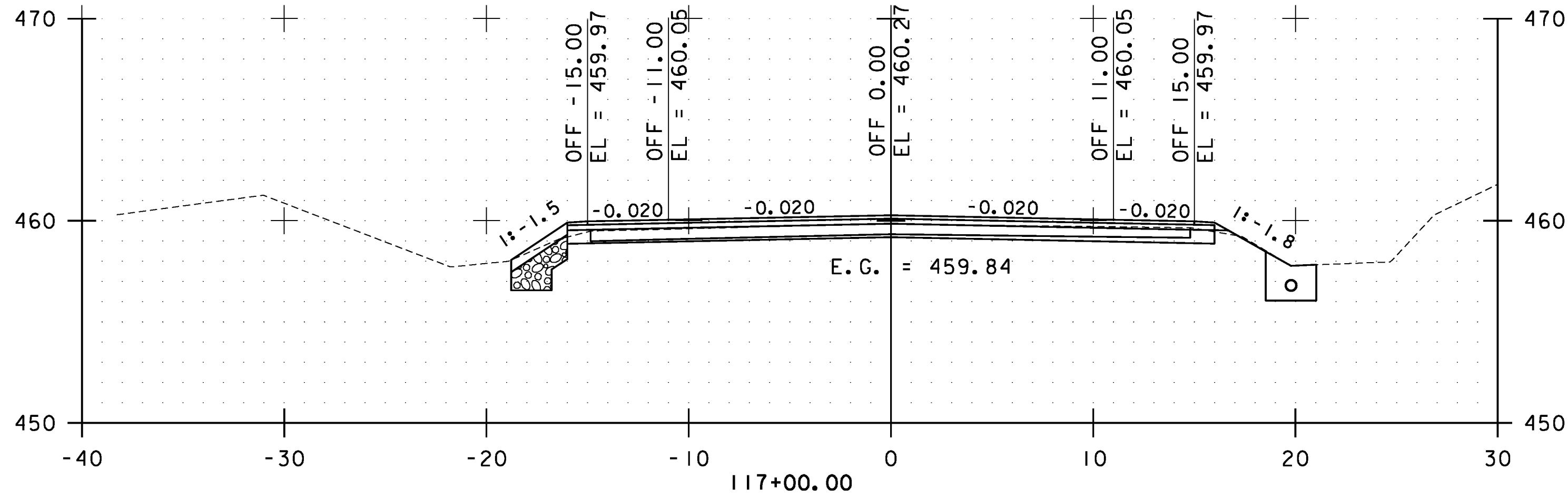
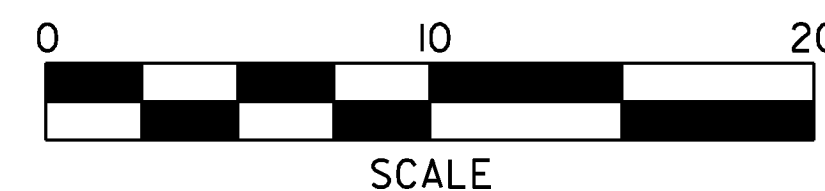


FLETCHER STA. 118+86.00
 STOP STP 2926 (1)
 RESUME FLETCHER STP 027-1 (22)



STA. 116+00.00 TO STA. 118+50.00



**FLETCHER
 CROSS
 SECTIONS
 SHEET #47**

PROJECT NAME: CAMBRIDGE-BAKERSFIELD
 PROJECT NUMBER: STP 2926(1)

FILE NAME: p10b258.dgn
 PROJECT LEADER: JLL
 DESIGNED BY: STANTEC
 IPARM FILE: p10b258xs47.i

PLOT DATE: 11/15/2012
 DRAWN BY: STANTEC
 CHECKED BY: STANTEC
 SHEET 269 OF 387