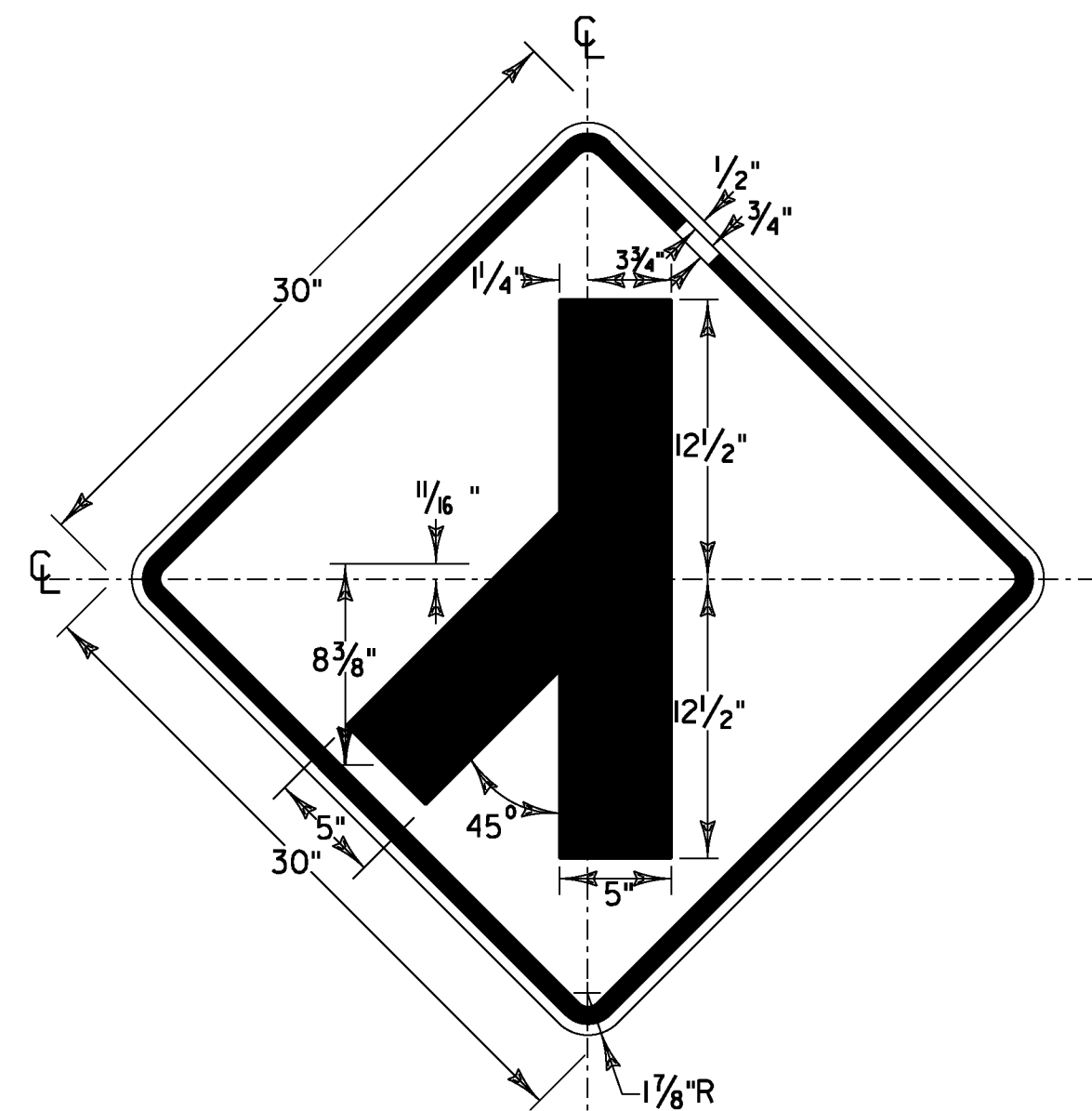


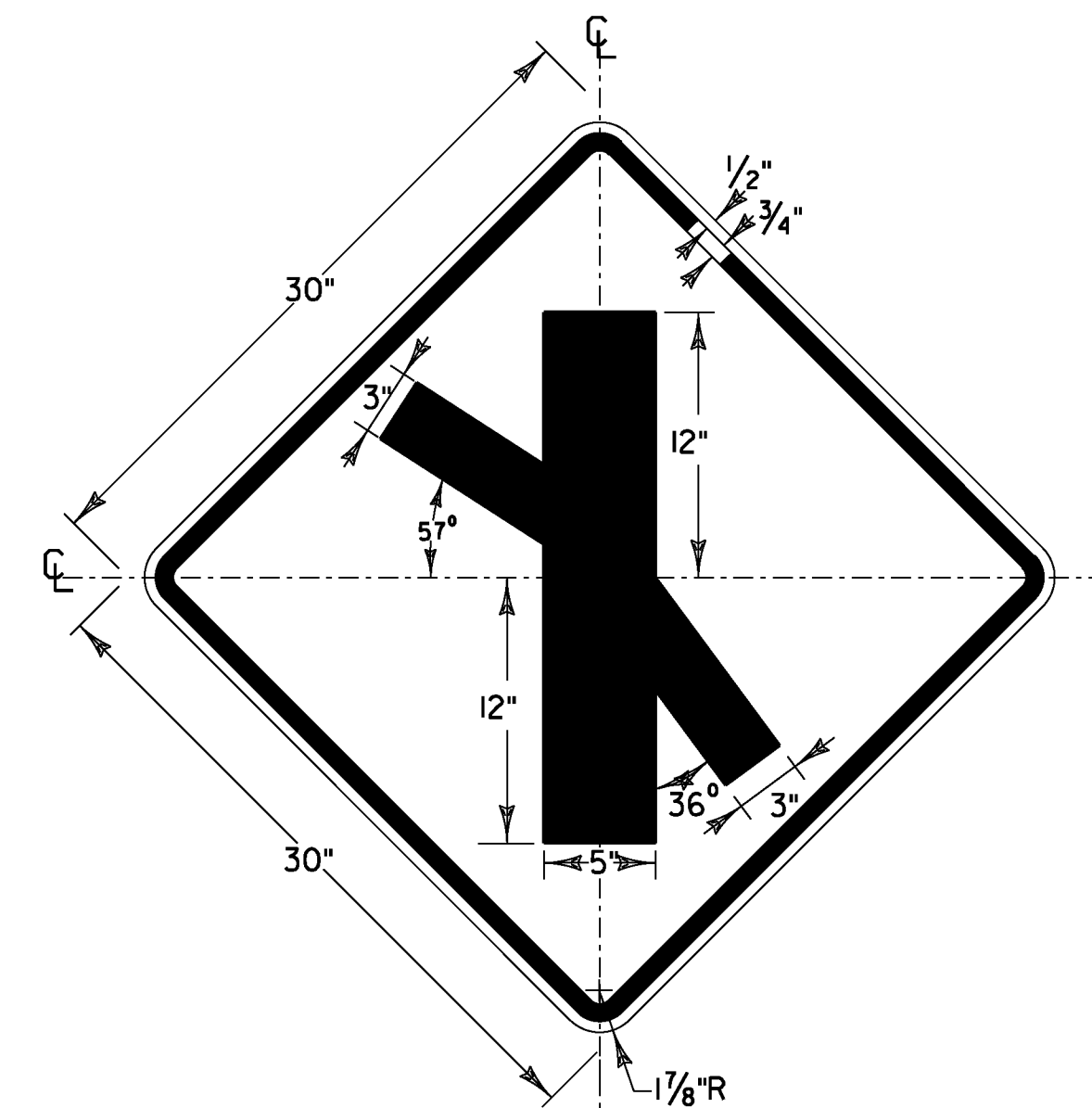
W1-10L VARIATION

LOCATION: CAMBRIDGE STA. 559+50, RT
 COLOR: BLACK BORDER & SYMBOL WITH YELLOW (RETROREFLECTIVE) BACKGROUND
 MATERIAL: PER THE TABLE ON SHEET 101.



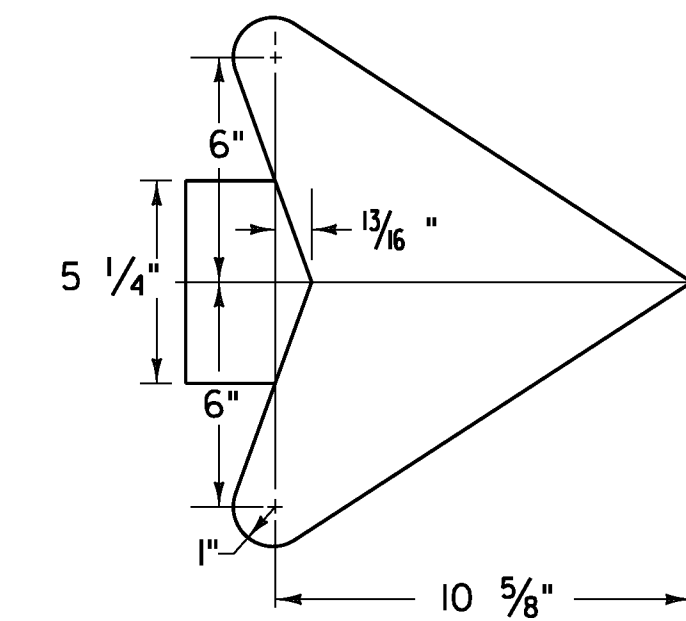
W2-3R VARIATION

LOCATION: CAMBRIDGE STA. 627+00, LT
 COLOR: BLACK BORDER & SYMBOL WITH YELLOW (RETROREFLECTIVE) BACKGROUND
 MATERIAL: PER THE TABLE ON SHEET 101.

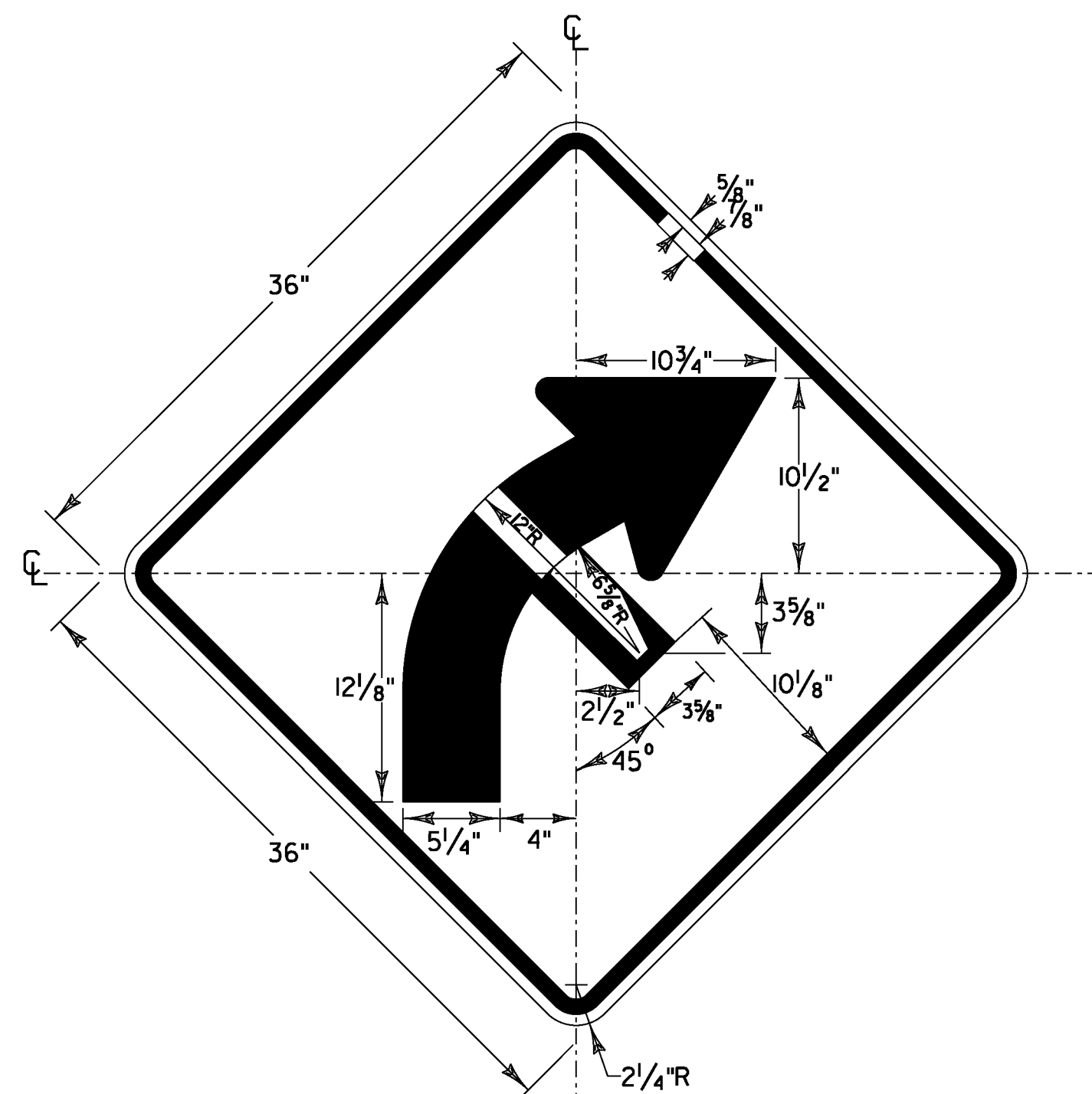


W2-7L VARIATION

LOCATION: BAKERSFIELD STA. 54+00, LT
 COLOR: BLACK BORDER & SYMBOL WITH YELLOW (RETROREFLECTIVE) BACKGROUND
 MATERIAL: PER THE TABLE ON SHEET 101.

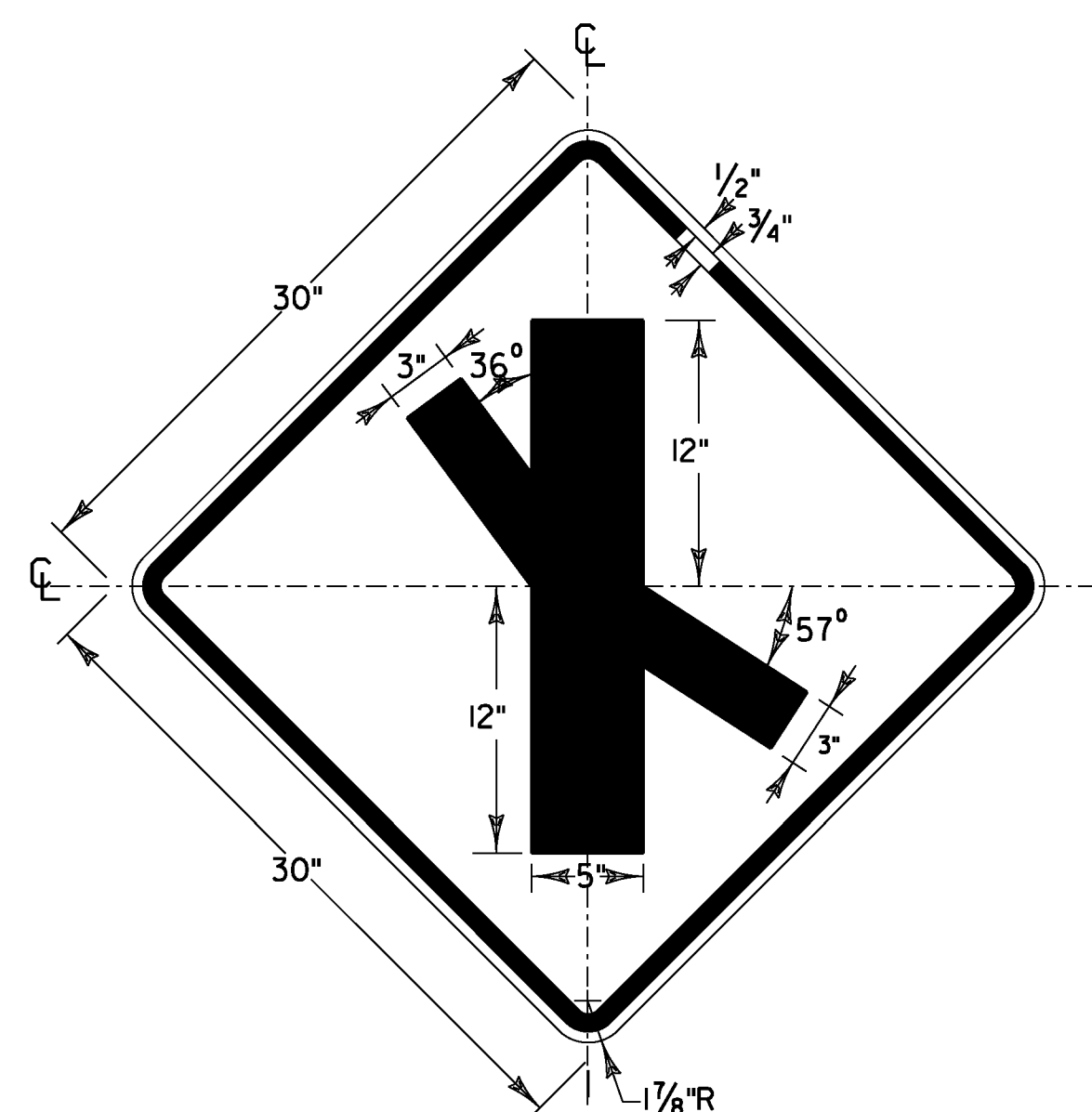


ARROW DETAIL



W1-10R VARIATION

LOCATION: CAMBRIDGE STA. 609+50, LT
 COLOR: BLACK BORDER & SYMBOL WITH YELLOW (RETROREFLECTIVE) BACKGROUND
 MATERIAL: PER THE TABLE ON SHEET 101.



W2-7R VARIATION

LOCATION: BAKERSFIELD STA. 42+38, RT
 COLOR: BLACK BORDER & SYMBOL WITH YELLOW (RETROREFLECTIVE) BACKGROUND
 MATERIAL: PER THE TABLE ON SHEET 101.



<p>NOT TO SCALE</p> <p>TRAFFIC SIGN DETAIL SHEET #4</p>	NOTE: SEE TRAFFIC SIGN NOTES ON SHEET 101	
	PROJECT NAME: CAMBRIDGE-BAKERSFIELD	
	PROJECT NUMBER: STP 2926(1)	
FILE NAME: p10b258.dgn	PLOT DATE: 11/15/2012	
PROJECT LEADER: JLL	DRAWN BY: STANTEC	
DESIGNED BY: STANTEC	CHECKED BY: STANTEC	
IPARM FILE: p10b258tsd04.i	SHEET 100 OF 387	