

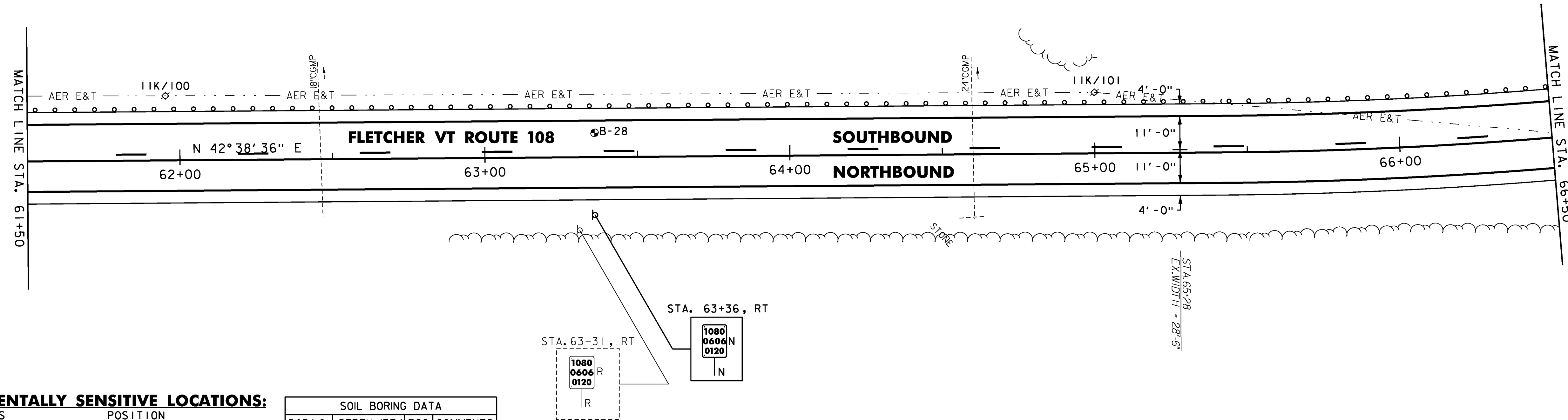
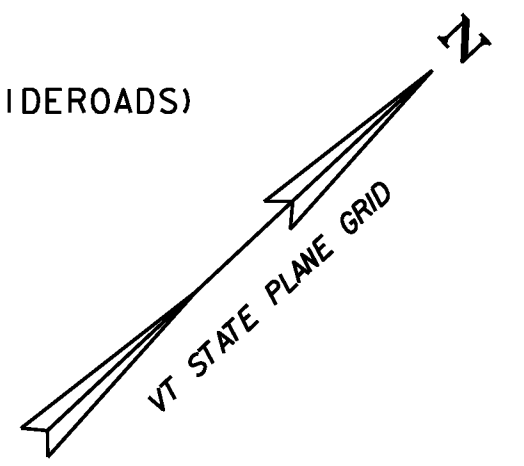
STEEL BEAM GUARDRAIL, GALVANIZED W/8 FEET POSTS  
 STA. 61+50 TO 66+50, LT  
 REMOVAL AND DISPOSAL OF GUARDRAIL  
 STA. 61+50 TO 66+50, LT

DURABLE 4 INCH WHITE LINE  
 (ALL LINES WILL INCLUDE EDGE LINE BREAKS  
 AND RADII FOR SIDE ROADS)  
 STA. 61+50 TO 66+50, SOLID LT & RT

DURABLE 4 INCH YELLOW LINE  
 (ALL LINES WILL INCLUDE  $\phi$  BREAKS FOR SIDE ROADS)  
 STA. 61+50 TO 66+50, DASHED LT, SOLID RT

TEMPORARY 4 INCH WHITE LINE, PAINT  
 (ALL LINES WILL INCLUDE EDGE LINE BREAKS  
 AND RADII FOR SIDE ROADS)  
 STA. 61+50 TO 66+50, SOLID LT & RT  
 TEMPORARY 4 INCH YELLOW LINE, PAINT  
 (ALL LINES WILL INCLUDE  $\phi$  BREAKS FOR SIDE ROADS)  
 STA. 61+50 TO 66+50, DASHED LT, SOLID RT

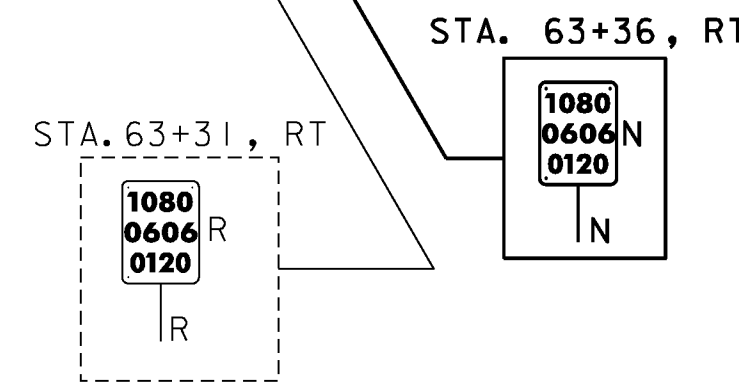
BARRIER FENCE  
 STA. 61+50 TO 66+50, LT  
 (WITH BREAKS FOR DRIVES AND SIDEROADS)  
 REMOVING SIGNS  
 AS SHOWN - 1



**ENVIRONMENTALLY SENSITIVE LOCATIONS:**

NO.	LIMITS	POSITION
19.	61+50 TO 66+50	LT

SOIL BORING DATA			
BORING#	DEPTH (FT.)	PCC	COMMENTS
B-28	5.0'	NO	



STEEL BEAM GUARDRAIL, GALVANIZED W/8 FEET POSTS  
 STA. 66+50 TO 67+57.5, LT  
 ANCHOR FOR STEEL BEAM RAIL  
 STA. 67+57.5, LT  
 REMOVAL AND DISPOSAL OF GUARDRAIL  
 STA. 66+50 TO 67+56, LT  
 STA. 68+83 TO 71+50, RT

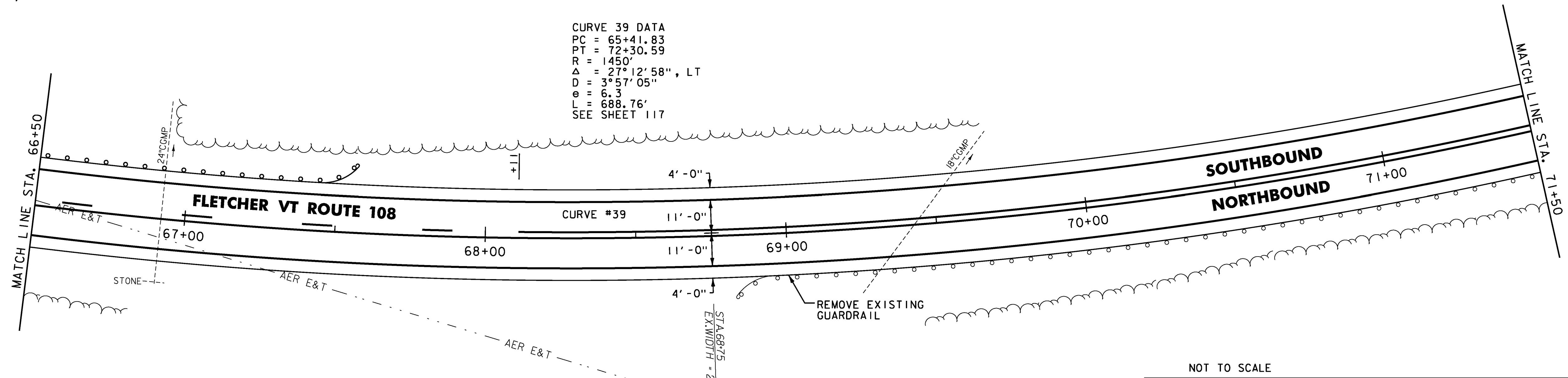
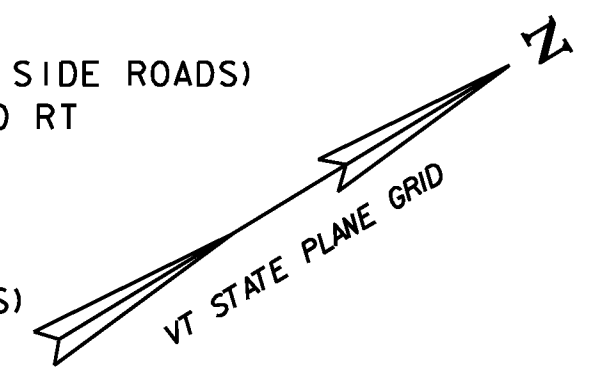
DURABLE 4 INCH WHITE LINE  
 (ALL LINES WILL INCLUDE EDGE LINE BREAKS  
 AND RADII FOR SIDE ROADS)  
 STA. 66+50 TO 71+50, SOLID LT & RT

DURABLE 4 INCH YELLOW LINE  
 (ALL LINES WILL INCLUDE  $\phi$  BREAKS FOR SIDE ROADS)  
 STA. 66+50 TO 68+11, DASHED LT, SOLID RT  
 STA. 68+11 TO 71+50, SOLID LT & RT

TEMPORARY 4 INCH WHITE LINE, PAINT  
 (ALL LINES WILL INCLUDE EDGE LINE BREAKS  
 AND RADII FOR SIDE ROADS)  
 STA. 66+50 TO 71+50, SOLID LT & RT

TEMPORARY 4 INCH YELLOW LINE, PAINT  
 (ALL LINES WILL INCLUDE  $\phi$  BREAKS FOR SIDE ROADS)  
 STA. 66+50 TO 68+11, DASHED LT, SOLID RT  
 STA. 68+11 TO 71+50, SOLID LT & RT

BARRIER FENCE  
 STA. 66+50 TO 71+50, LT  
 (WITH BREAKS FOR DRIVES AND SIDEROADS)



CURVE 39 DATA  
 PC = 65+41.83  
 PT = 72+30.59  
 R = 1450'  
 Δ = 27° 12' 58", LT  
 D = 3° 57' 05"  
 e = 6.3  
 L = 688.76'  
 SEE SHEET 117

**ENVIRONMENTALLY SENSITIVE LOCATIONS:**

NO.	LIMITS	POSITION
19.	66+50 TO 71+50	LT

NOTES:

- FOR LEGENDS, SEE SHEET 27.
- ALL EXISTING SIGNS NOT SHOWN SHALL BE RETAINED.
- DURABLE MARKINGS DETAILED ON THIS SHEET ARE OPTION BID ITEMS. SEE SHEET 14.



NOT TO SCALE

**PROJECT LAYOUT SHEET #30**

PROJECT NAME: CAMBRIDGE-BAKERSFIELD  
 PROJECT NUMBER: STP 2926(1)

FILE NAME: p10b258.dgn  
 PROJECT LEADER: JLL  
 DESIGNED BY: STANTEC  
 IPARM FILE: p10b258i30.i

PLOT DATE: 11/15/2012  
 DRAWN BY: STANTEC  
 CHECKED BY: STANTEC  
 SHEET 56 OF 387