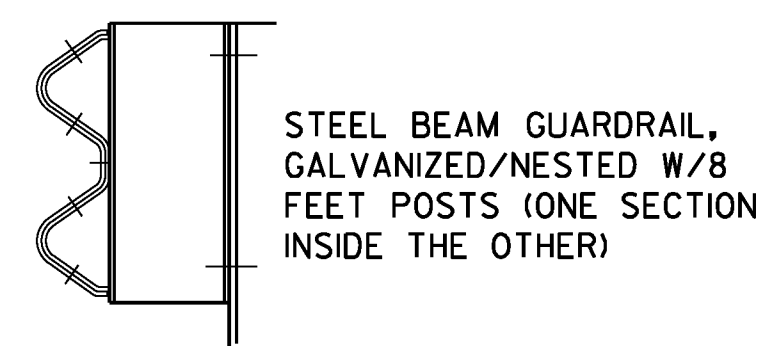
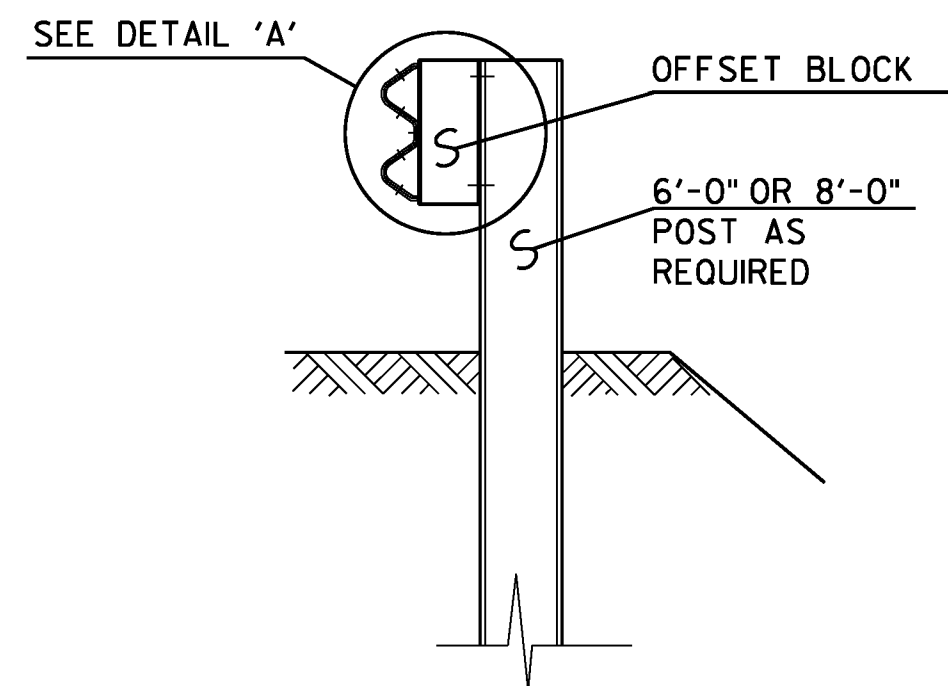


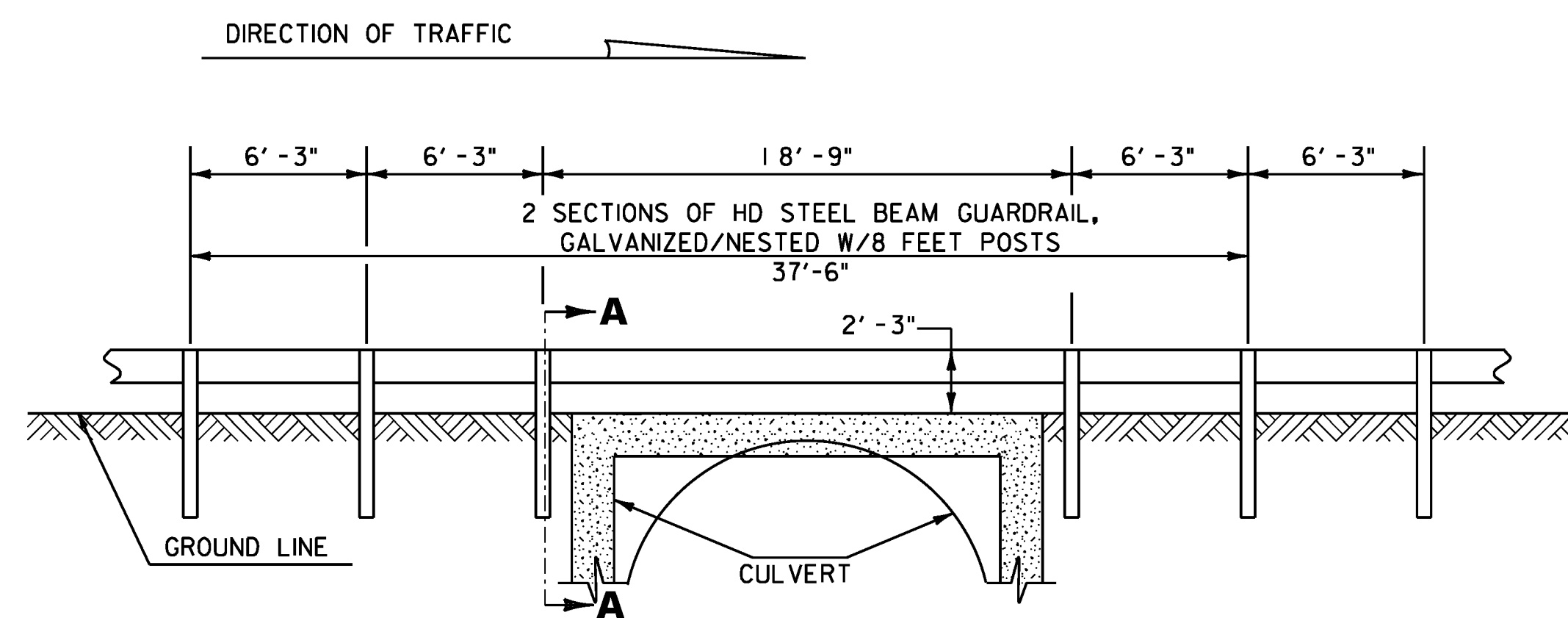
DETAIL FOR PIPE PLACEMENT END TREATMENT LOCATION
 BAKERSFIELD STA. 51+67.5, RT.



DETAIL A



SECTION A-A

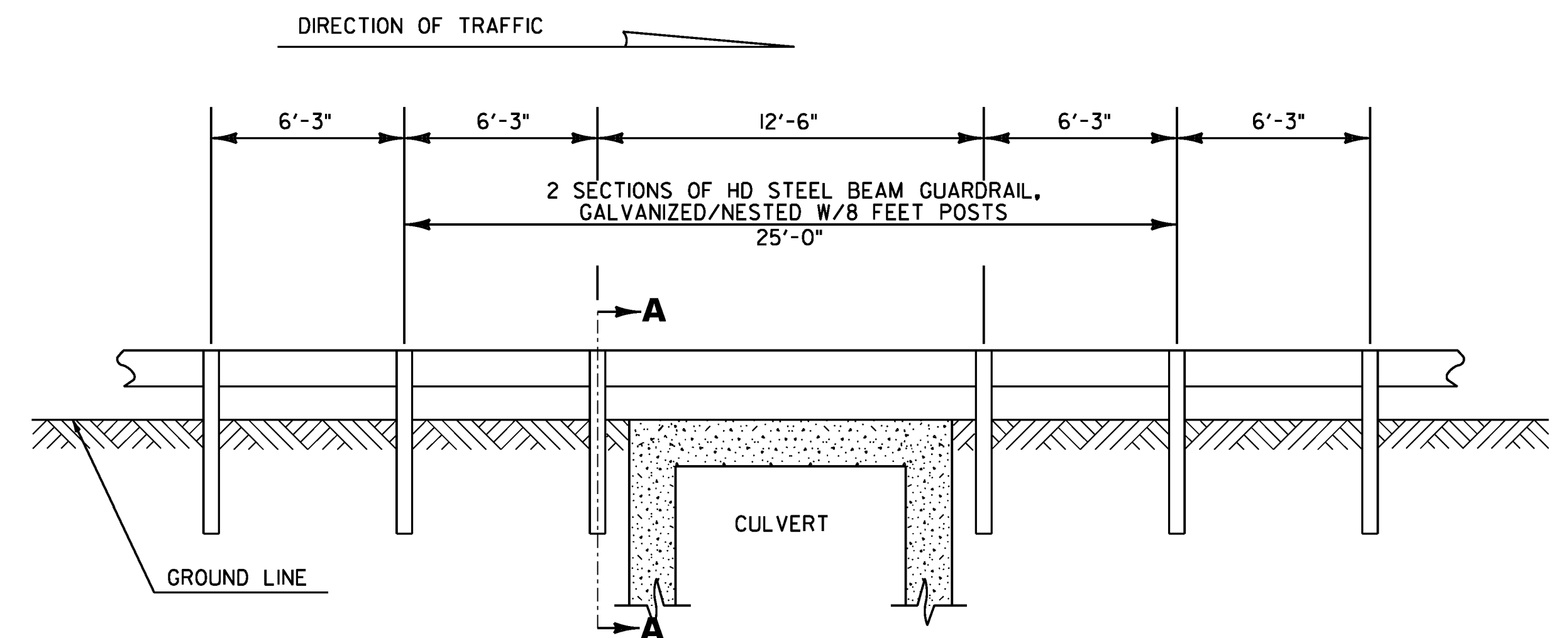


DETAIL OF STEEL BEAM GUARDRAIL AT LARGE CULVERTS

VT ROUTE 108 FLETCHER STA. 5+15, LT&RT (BRIDGE #24)
 VT ROUTE 108 FLETCHER STA. 22+57, LT&RT (BRIDGE #26)

NOTES

1. SEE STANDARDS G-1 & G-ID FOR STEEL BEAM GUARDRAIL DETAILS.
2. THIS WORK SHALL BE PAID UNDER ITEM 621.217 HD STEEL BEAM GUARDRAIL, GALVANIZED/NESTED W/8 FEET POSTS AT A PAY FACTOR OF 1.0.
3. THESE DETAILS TO BE USED AS INDICATED ON THE ITEM DETAIL SUMMARY SHEETS OR AS DIRECTED BY THE ENGINEER.



DETAIL OF STEEL BEAM GUARDRAIL AT SMALL CULVERTS

VT ROUTE 108 FLETCHER STA. 31+54, RT (BRIDGE #27)
 VT ROUTE 108 BAKERSFIELD STA. 72+74, LT (BRIDGE #34)



**GUARDRAIL
 DETAIL SHEET**

NOT TO SCALE

PROJECT NAME: CAMBRIDGE-BAKERSFIELD
 PROJECT NUMBER: STP 2926(I)

FILE NAME: p10b258.dgn
 PROJECT LEADER: JLL
 DESIGNED BY: STANTEC
 IPARM FILE: p10b258gds.i

PLOT DATE: 11/15/2012
 DRAWN BY: STANTEC
 CHECKED BY: STANTEC
 SHEET 21 OF 387