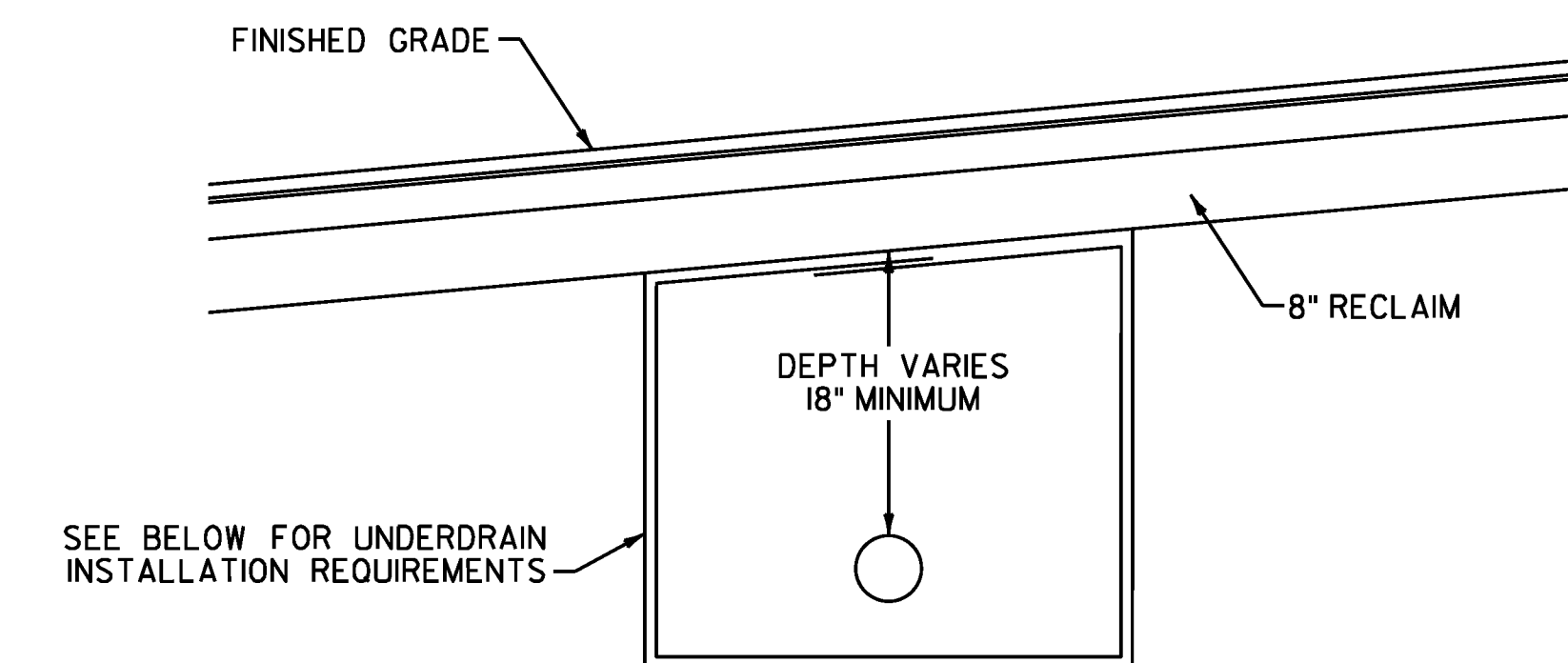
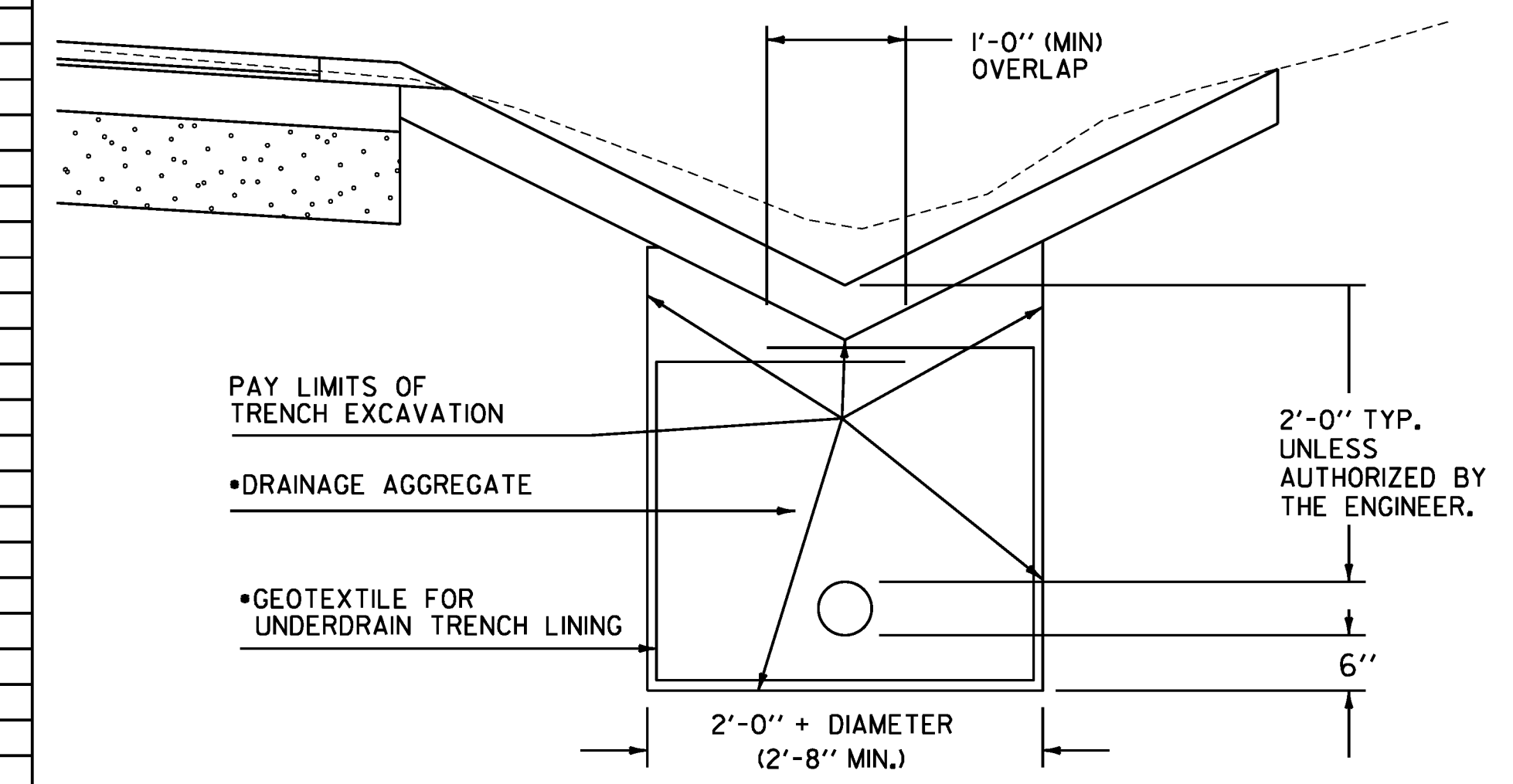


LOCATION					UNDERDRAIN				MISC. ITEMS		REMARKS
PIPE NO.	OUTLET INVERT	BEGIN STA.	END STA.	POS.	204.20	204.21	605.10	619.17	*	*	
					TRENCH EXCAVATION OF EARTH CY	TRENCH EXCAVATION OF ROCK CY	6 INCH UNDERDRAIN PIPE LF	YIELDING MARKER POSTS EA	DRAINAGE AGGREGATE CY	GEOTEXTILE FABRIC SY	
VT ROUTE 108											
CAMBRIDGE											
UD-1	461.8	503+50	506+00	LT	54	14	250	1	67	329	
UD-2	468.0	507+50	511+50	RT-LT	93	24	417	1	113	553	
UD-3	482.1	515+00	518+50	LT	78	20	350	1	96	467	
UD-4	514.1	522+00	526+53	LT	103	27	453	1	126	609	
UD-5	532.7	529+50	531+25	RT	36	10	175	1	45	226	
UD-6	524.8	540+73	544+00	LT	73	19	327	1	90	435	
UD-7	525.6	544+50	546+97	LT	54	14	247	1	66	325	
UD-8	511.9	554+08	556+50	LT-RT	55	14	259	1	67	335	
UD-9	515.4	557+00	558+50	RT	30	8	150	1	38	191	
UD-10	506.3	559+50	561+50	RT	42	11	200	1	52	260	
UD-11	502.8	563+00	566+00	RT	66	17	300	1	82	398	
UD-12	502.3	572+25	576+50	LT-RT	99	26	442	1	120	587	
UD-13	469.1	607+55	611+45	LT-RT	91	24	408	1	110	541	
UD-14	464.5	611+55	615+50	RT	89	23	395	1	109	529	
UD-15	458.0	618+00	620+50	RT	54	14	250	1	67	329	
UD-16	450.5	631+00	634+00	RT	66	17	300	1	82	398	
UD-17	450.0	634+10	636+50	RT	52	14	240	1	64	315	
UD-18	455.0	637+00	639+50	RT	54	14	250	1	67	329	
UD-19	457.5	640+15	641+75	RT	33	9	160	1	41	205	
UD-20	453.1	641+80	645+00	RT	71	19	320	1	87	425	
UD-21	452.1	646+15	648+50	RT	51	14	235	1	63	308	
UD-22	463.3	654+00	656+50	RT	54	14	250	1	67	329	
UD-23	455.0	657+00	659+00	LT	42	11	200	1	52	260	
UD-24	450.5	663+62	665+50	RT	40	11	188	1	49	244	
UD-25	444.8	679+00	682+00	RT	66	17	300	1	82	398	
UD-26	441.5	682+86	687+00	RT	94	24	414	1	115	555	
FLETCHER											
UD-27	N/A	75+79	78+50.67	RT	66	17	272	N/A	80	375	THE REMAINING UNDERDRAIN IN THIS RUN WILL BE INSTALLED UNDER FLETCHER STP 027-K(22)
UD-28	456.3	116+50	118+86.00	RT	51	14	236	1	63	310	THE REMAINING UNDERDRAIN IN THIS RUN WILL BE INSTALLED UNDER FLETCHER STP 027-K(22)
BAKERSFIELD											
UD-29	479.1	11+50	15+00	LT-RT	80	20	369	1	98	485	
UD-30	539.8	29+00	32+00	RT	66	17	300	1	80	396	
UD-31	551.5	43+17	47+00	RT	86	22	383	1	104	511	
UD-32	553.2	56+50	60+50	RT	90	23	400	1	109	534	
UD-33	569.7	66+50	68+50	RT	42	11	200	1	51	259	
UD-34	578.9	69+25	71+50	RT	48	13	225	1	58	293	
UD-35	588.2	73+50	79+00	RT	126	32	550	1	153	741	
SHEET 18 SUBTOTALS					2295	598	10415	34	2813	13784	



UNDERDRAIN CROSSING ROAD DETAIL
NOT TO SCALE



DRAINAGE AGGREGATE SHALL MEET THE REQUIREMENTS OF SUBSECTION 704.16
* ITEMS ARE INCLUDED IN THE UNIT PRICE BID FOR PAY ITEM 605.10 6 INCH UNDERDRAIN PIPE

UNDERDRAIN DETAIL
NOT TO SCALE

- NOTES:
1. GEOTEXTILE FOR UNDERDRAIN TRENCH LINING SHALL NOT BE PLACED AROUND UNDERDRAIN WHEN COVER ABOVE UNDERDRAIN IS LESS THAN 1 FOOT.
 2. THE END OF THE UNDERDRAIN PIPE AT THE BEGINNING OF ALL UNDERDRAIN RUNS SHALL BE WRAPPED IN GEOTEXTILE FABRIC. PAYMENT FOR THIS WORK IS INCLUDED IN THE UNIT PRICE BID FOR ITEM 605.10 6 INCH UNDERDRAIN PIPE.

UNDERDRAIN DETAIL SHEET #1

PROJECT NAME: CAMBRIDGE-BAKERSFIELD
PROJECT NUMBER: STP 2926(1)
FILE NAME: p10b258.dgn
PROJECT LEADER: JLL
DESIGNED BY: STANTEC
IPARM FILE: p10b258unds01.i
PLOT DATE: 11/15/2012
DRAWN BY: STANTEC
CHECKED BY: STANTEC
SHEET 18 OF 387

