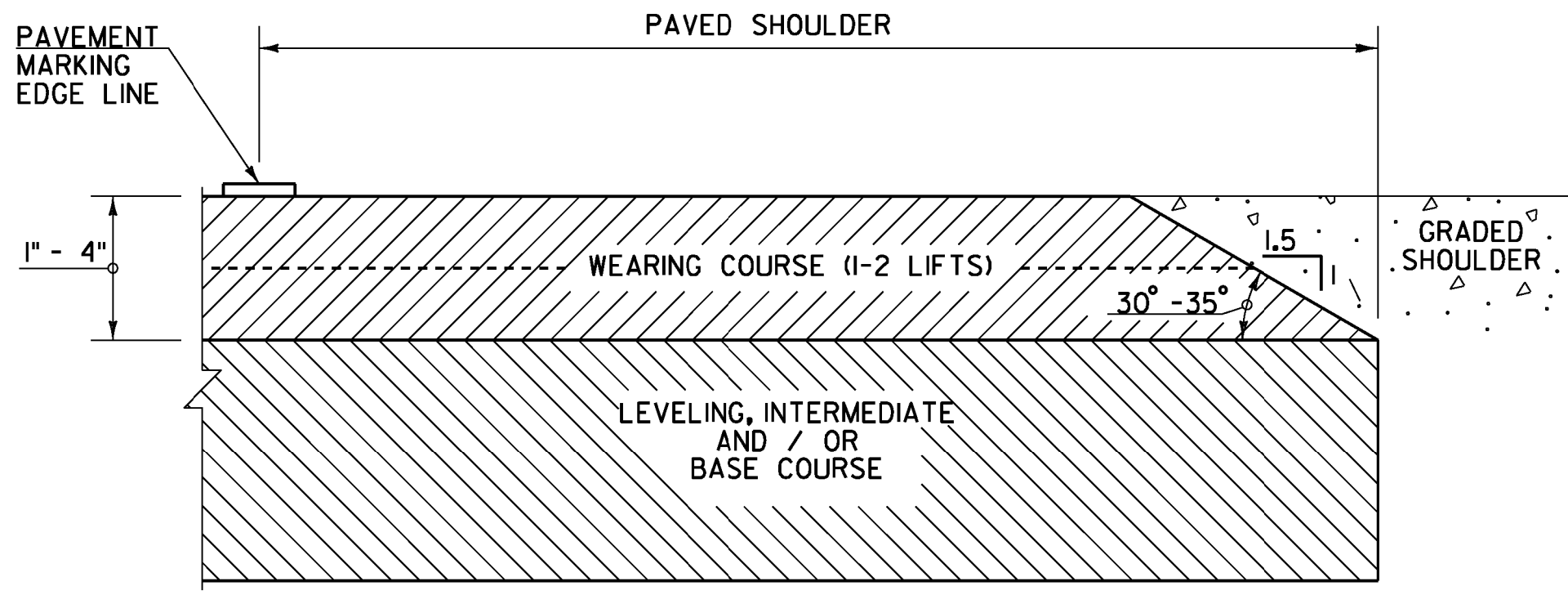


STONE FILL, TYPE I FOR SLOPE STABILIZATION DETAIL

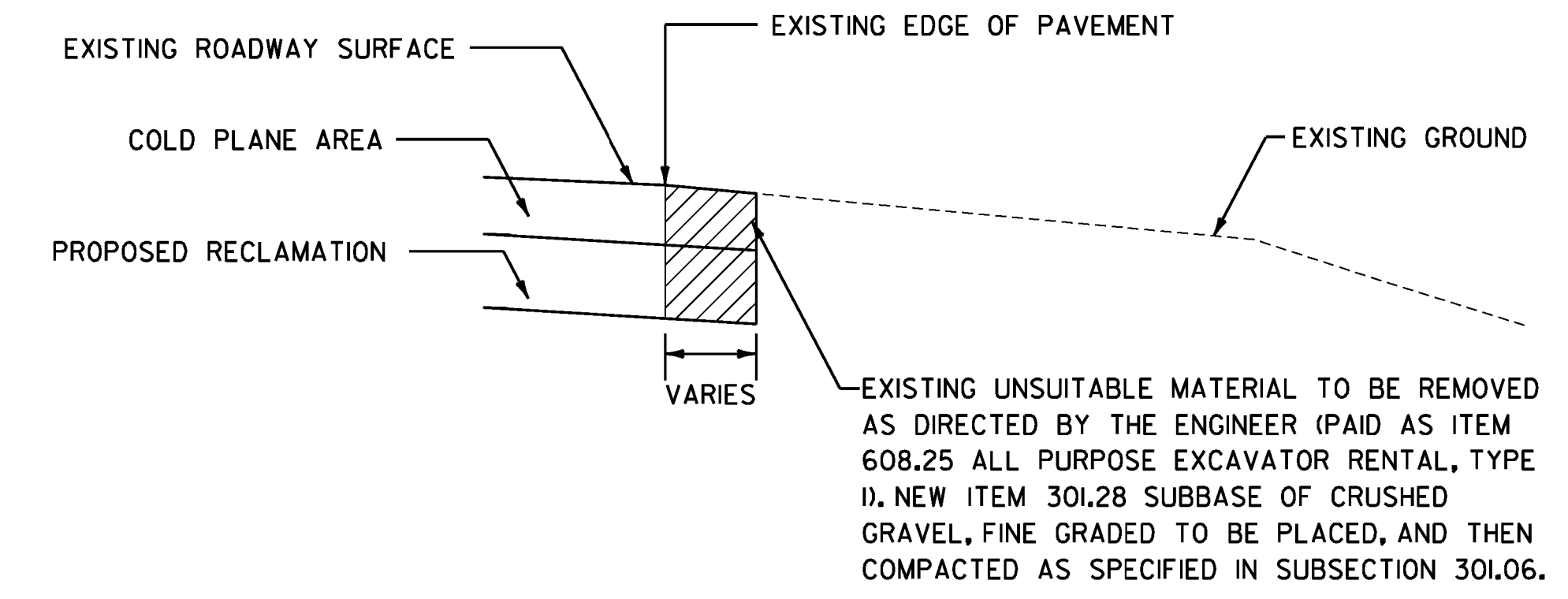
- NOTES:
 1. STONE FILL TO BE PLACED ON SLOPES 1:1.5 OR STEEPER
 2. SEE SHEETS 27-80 FOR LOCATIONS



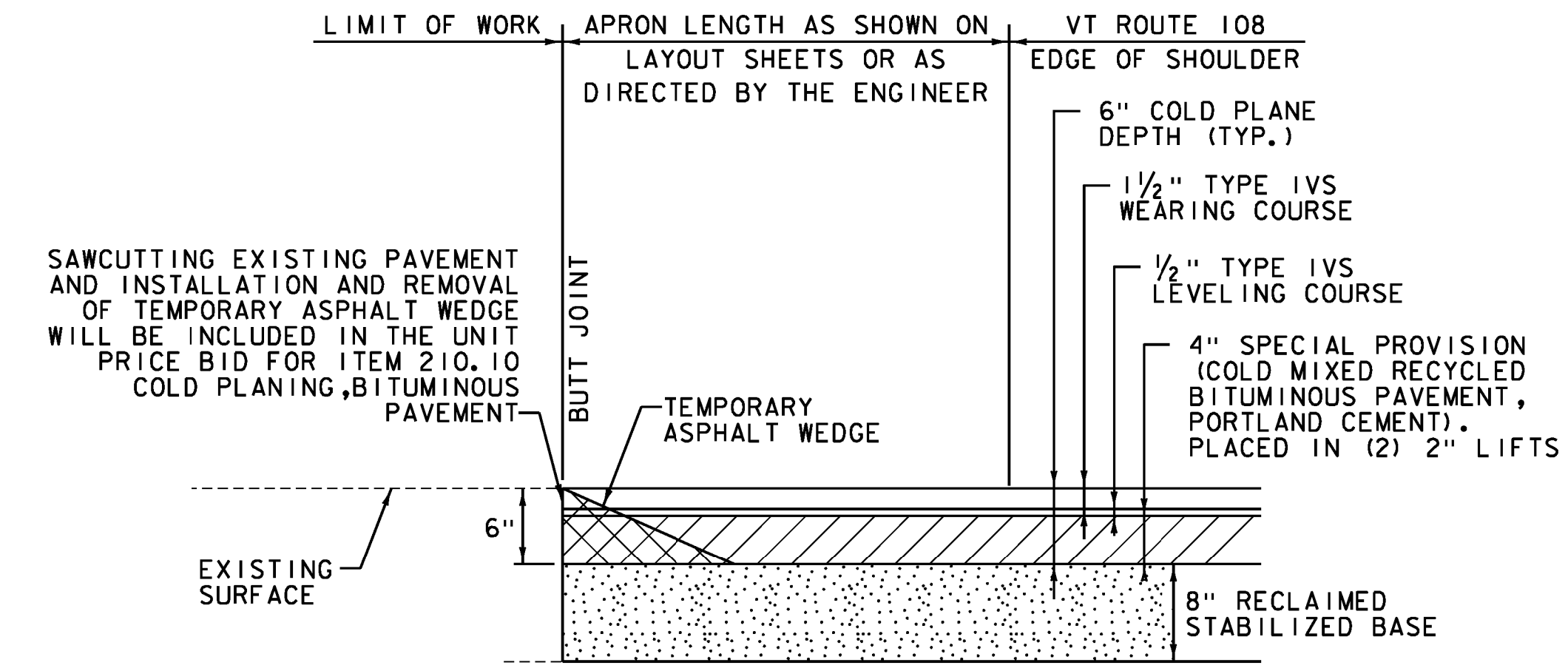
SAFETY EDGE DETAIL

NOT TO SCALE

NOTE: LEVELING COURSE MAY INCLUDE THE "SAFETY EDGE" AT THE CONTRACTOR'S CHOICE.



EXISTING SHOULDER RECONSTRUCTION DETAIL

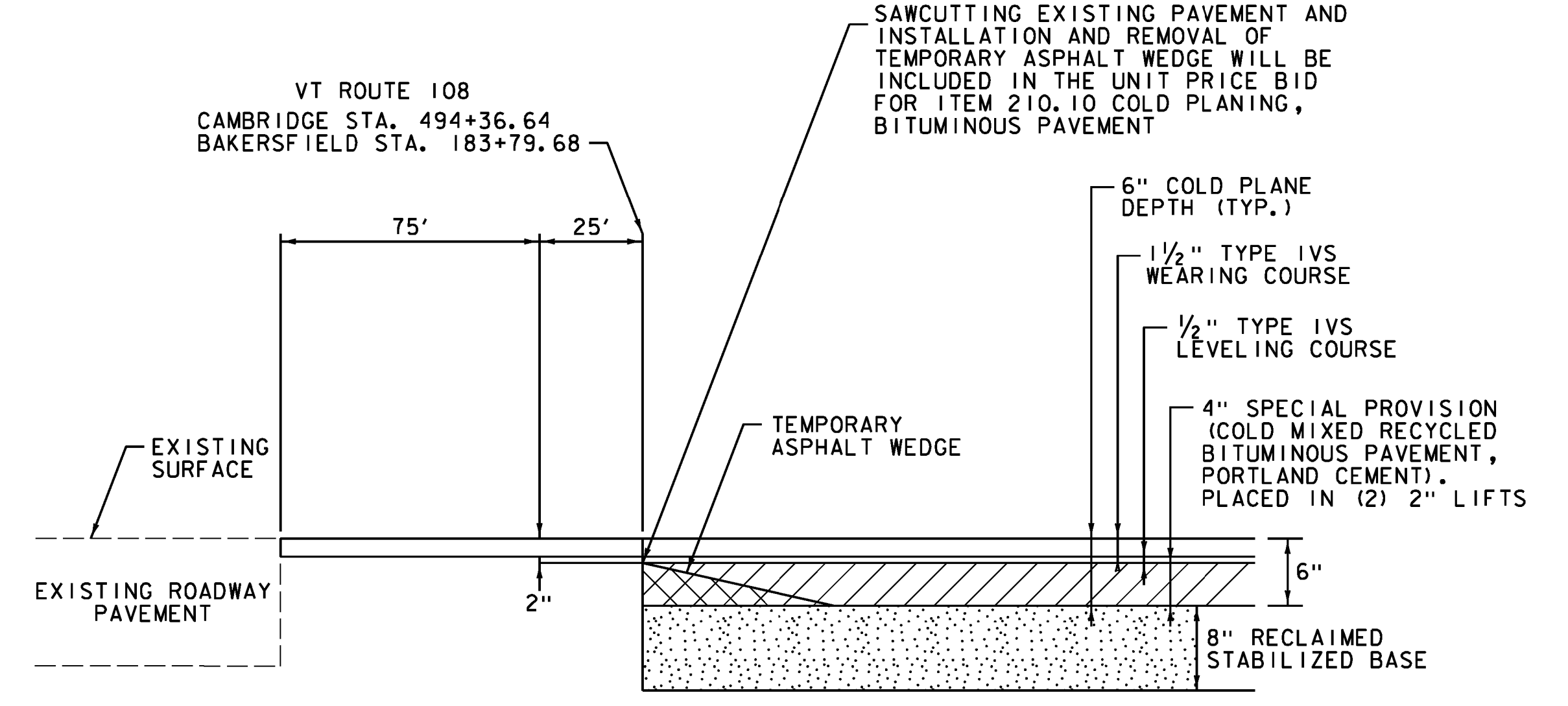


SIDE ROAD AREA DETAIL - TOWN HIGHWAYS
 FULL WIDTH OF TOWN HIGHWAY

NOTE: THIS DETAIL SHALL BE USED FOR THE SIDE ROADS LISTED BELOW AS DIRECTED BY THE ENGINEER.

- CAMBRIDGE**
 STA. 50+75, RT (VT ROUTE 109)
 STA. 512+73, RT (FISHER ROAD TH-22)
 STA. 605+12, LT (POLLANDER ROAD TH-12)
 STA. 621+11, RT (ROBINSON ROAD TH-11)
- FLETCHER**
 STA. 38+50, LT (WILSON ROAD TH-25)
 STA. 41+26, LT (LANGE ROAD TH-38)
 STA. 56+33, LT (LANGE ROAD TH-38)
 STA. 121+61, LT (SHORT ROAD TH-39)
- BAKERSFIELD**
 STA. 21+18, LT (JORDAN ROAD TH-44)
 STA. 32+11, RT (GAMBLER ROAD TH-7)
 STA. 47+84, RT (GAMBLER ROAD TH-7)
 STA. 49+17, LT (LOST NATION ROAD TH-43)
 STA. 50+70, RT (OLD STAGE COACH ROAD TH-40)
 STA. 65+15, LT (LOST NATION ROAD TH-38)
 STA. 79+61, RT (BURNOR ROAD TH-45)
 STA. 88+34, RT (BURNOR ROAD TH-45)
 STA. 103+19, LT (WHITNEY ROAD TH-34)

NO CEMENT
 NO COLDMIX
 ON SIDEWALK
 OR PULLOFFS



APPROACH AREA DETAIL

VT ROUTE 108 CAMBRIDGE STA 494+36.64 - BEGIN PROJECT
 VT ROUTE 108 BAKERSFIELD STA 183+79.68 - END PROJECT

SEEDING FORMULA

RATE: DOUBLE IF HYDROSEEDING

% WT.	LBS./A.	NAME	PUR %	GERM %
38	32	CREeping RED FESCUE	98	90
29	24	SPARTAN HARD FESCUE	95	85
15	12	AZAY SHEEP'S FESCUE	95	87
15	12	ANNUAL RYE GRASS	95	90
3	--	INERTS	--	--
100.0	80 LB/A			

SEEDING NOTES

- SEED MIXTURE: SHALL NOT HAVE A WEED CONTENT EXCEEDING 0.40% BY WEIGHT AND SHALL BE FREE OF ALL NOXIOUS SEED.
- SEED ITEM 651.15: TO BE APPLIED PER SEEDING FORMULAS OR AS DIRECTED BY THE ENGINEER.
- FERTILIZER ITEM 651.18: FORMULA 10-20-10, TO BE USED WITH SEED, APPLIED AT THE RATE OF 500 LBS./ACRE. (HYDRO SEEDERS MAY USE 19-19-19 FORMULA)
- AGRICULTURAL LIMESTONE ITEM 651.20: TO BE APPLIED AT THE RATE OF 2 TONS/ACRE, OR AS DIRECTED BY THE ENGINEER.
- HAY MULCH ITEM 651.25: TO BE PLACED ON THE EARTH SLOPES AT THE RATE OF 2 TONS/ACRE, OR AS DIRECTED BY THE ENGINEER.
- TOPSOIL ITEM 651.35: TO BE USED WITH SEED AS INDICATED ON THE PLANS, OR AS DIRECTED BY THE ENGINEER.

NOT TO SCALE



PROJECT TYPICAL SHEET #2

PROJECT NAME: CAMBRIDGE-BAKERSFIELD

PROJECT NUMBER: STP 2926(1)

FILE NAME: p10b258.dgn

PROJECT LEADER: JLL

DESIGNED BY: STANTEC

IPARM FILE: p10b258pts02.i

PLOT DATE: 11/15/2012

DRAWN BY: STANTEC

CHECKED BY: STANTEC

SHEET 12 OF 387