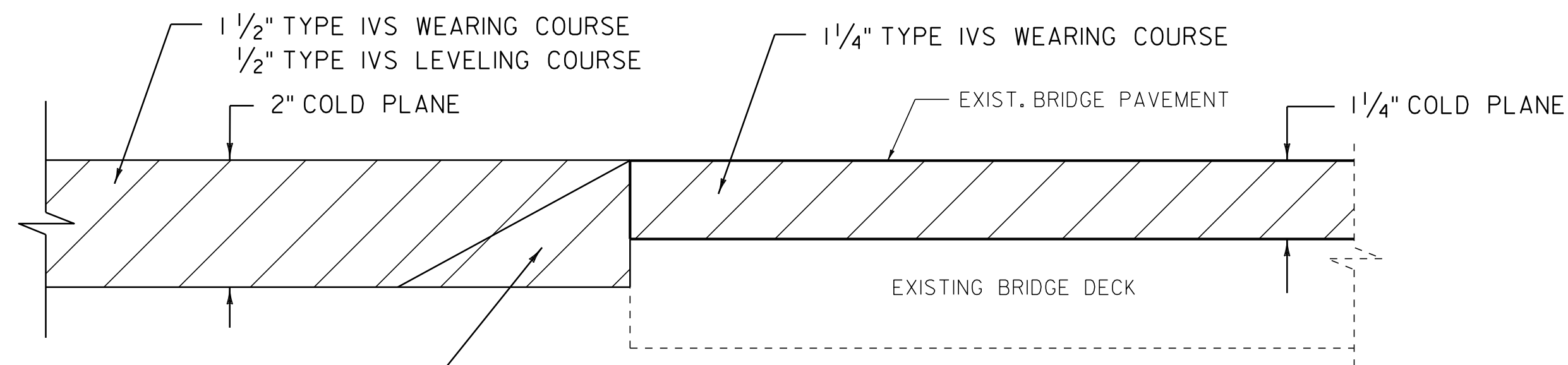


COLD PLANE AND OVERLAY TYPICAL SECTION

LOCATION
B0+20 TO B51+10

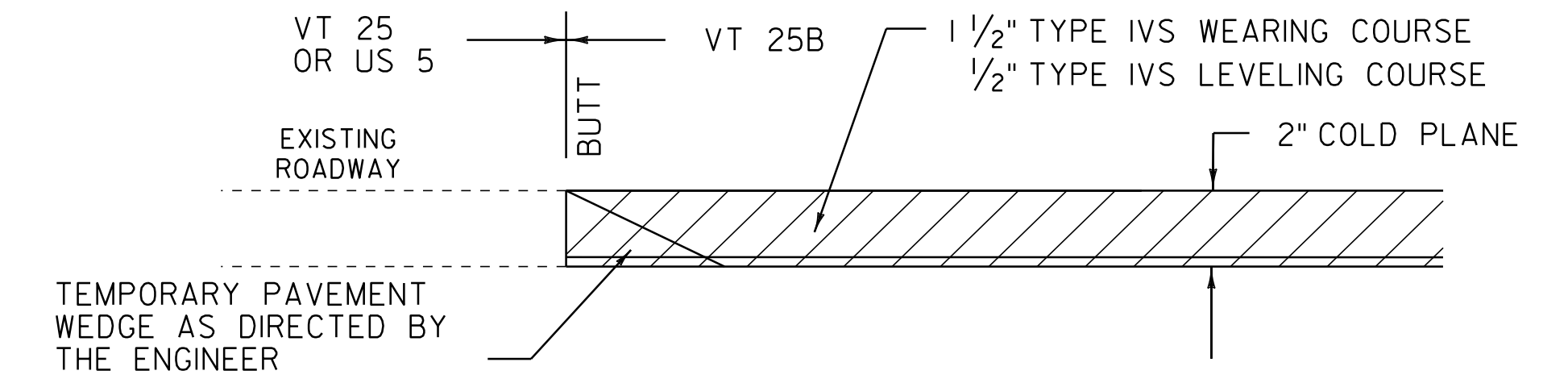


BRIDGE APPROACH DETAIL IN COLD PLANE AREAS

LOCATION

BRIDGE 1
B10+30 (MM 0.195)
B11+77 (MM 0.223)

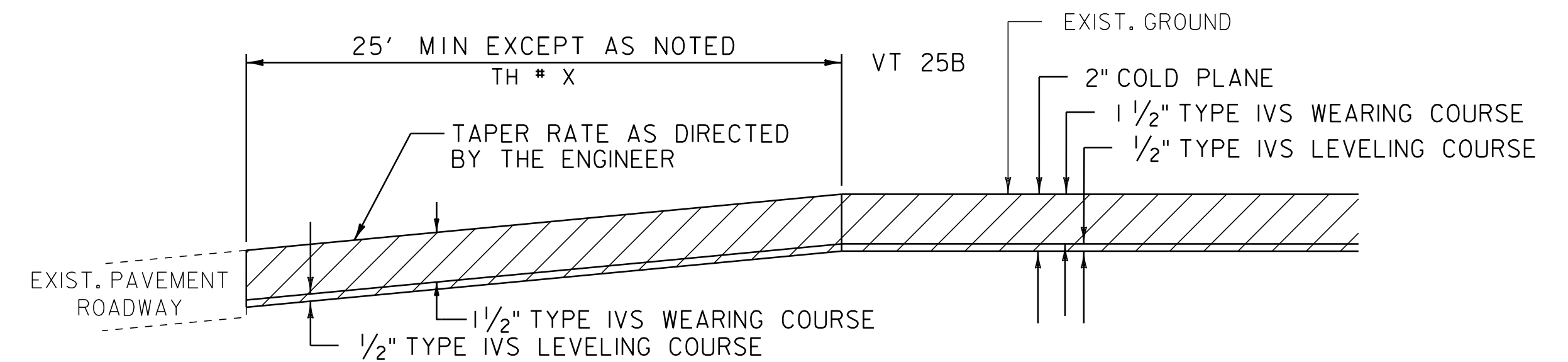
TEMPORARY WEDGE OF BIT. CONC. PAVE. SURFACE WITHOUT AN EXPANSION JOINT (MIN. 2' HORIZONTAL DISTANCE)



APPROACH AREA DETAIL - MAINLINE IN COLD PLANE AREAS

LOCATION

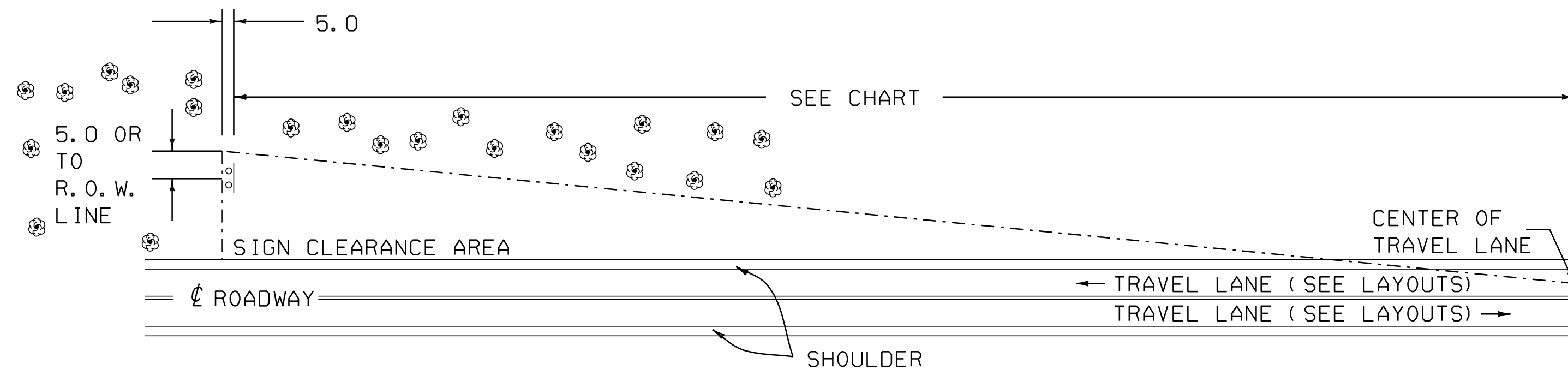
B0+20
B51+10



APPROACH AREA DETAIL FOR PAVED TOWN HIGHWAYS IN COLD PLANE AND OVERLAY AREAS

LOCATION

- TH 51 - B 8+98 RT (APPLETON ROAD)
- B18+44 LT (MUNN ROAD)
- TH 75 - B22+79 LT (HIGH ST)
- TH 76 - B29+24 LT (PLEASANT ST)
- TH 70 - B29+88 RT (MAPLE ST)
- TH 65 - B38+85 LT (COBBLESTONE ALY)
- TH 71 - B37+72 RT (MILL ST)
- TH 71 - B38+48 RT (MILL ST)
- TH 6 - B45+73 LT (GOSHEN RD)



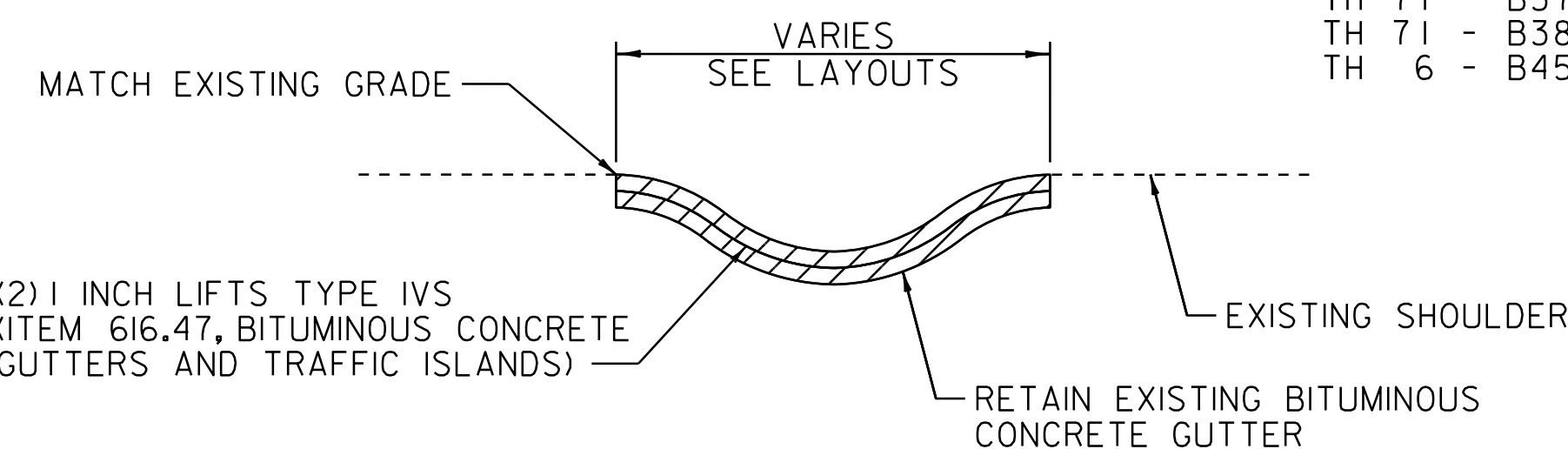
MINIMUM SIGN SIGHT DISTANCE CHART

APPROACH SPEED (mph)	SIGHT DISTANCE (feet)
30 OR LESS	300
35	350
40	400
45	450
50	500
55	550

THE CONTRACTOR SHALL REMOVE ALL WOODY STEMMED GROWTH INCLUDING BRUSH, SAPLINGS AND TREE LIMBS GROWING WITHIN OR PROJECTING INTO THE CLEARANCE AREA AND DOWN TO GROUND LEVEL. PAYMENT WILL BE UNDER ITEM 201.31, THINNING AND TRIMMING FOR SIGNS. NO CHEMICALS (POISONS OR DEFOLIANTS) WILL BE ALLOWED.

THINNING AND TRIMMING DETAIL

LOCATION
B27+51 LT
B44+36 RT



BITUMINOUS CONCRETE GUTTERS AND TRAFFIC ISLANDS

NOT TO SCALE

B37+26 TO B38+72 LT
B37+38 TO B37+55 RT
B46+65 TO B48+04 RT

NOT TO SCALE

PROJECT TYPICAL SHEET 1

PROJECT NAME: BRADFORD

PROJECT NUMBER: STP 2918(I)

FILE NAME: p10b236.dgn

PROJECT LEADER: PTS

DESIGNED BY: NLL

IPARM FILE NAME: p10c238_83

PLOT DATE: 03-SEP-2014 12:51

DRAWN BY: WWG

CHECKED BY: PTS

SHEET 83 OF 105