

TEMPORARY 4 INCH WHITE LINE, PAINT
 DURABLE 4 INCH WHITE LINE
 76+50 TO 87+50 SOLID LT & RT

TEMPORARY 4 INCH YELLOW LINE, PAINT
 DURABLE 4 INCH YELLOW LINE
 76+50 TO 84+35 DASHED LT, SOLID RT
 84+35 TO 87+50 SOLID LT & RT

SPECIAL PROVISION
 (DECOMMISSION CURB DROP INLET)
 77+32 LT (DI)
 78+37 RT (DI)

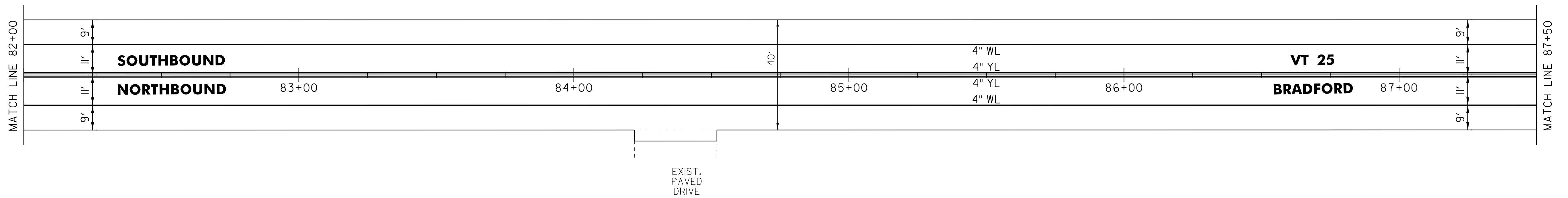
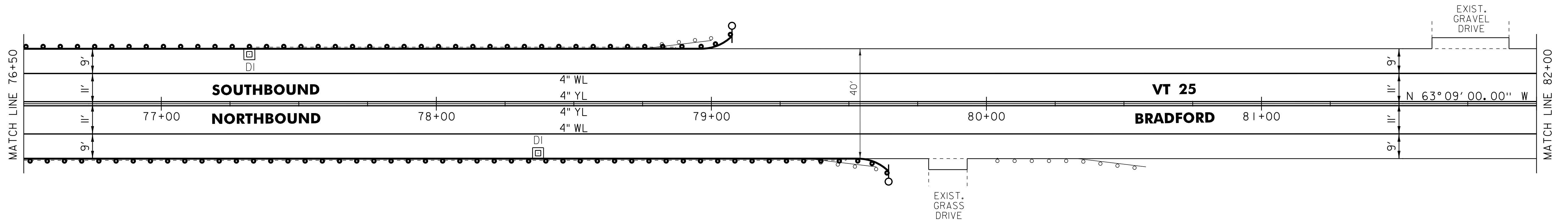
STEEL BEAM GUARDRAIL, GALVANIZED
 76+50 TO 77+20 LT

STEEL BEAM GUARDRAIL, GALVANIZED W/8 FEET POSTS
 76+50 TO 79+64.5 RT
 77+20 TO 79+07.5 LT

ANCHOR FOR STEEL BEAM RAIL
 79+07.5 LT
 79+64.5 RT

REMOVAL AND DISPOSAL OF GUARDRAIL
 76+50 TO 79+60 RT
 76+50 TO 79+00 LT
 80+04 TO 80+58 RT

DELINEATOR WITH STEEL POST
 79+07.5 LT
 79+64.5 RT



VT STATE
 POLICE BARRACKS

NOT TO SCALE

LEGEND

- R = REMOVE EXISTING
- S = SALVAGED
- R&S = REMOVE AND SALVAGE
- N = NEW
- RET = RETAIN
- B-B = BACK TO BACK
- = EXISTING GUARDRAIL
- = PROPOSED GUARDRAIL
- = YELLOW LINE
- = WHITE LINE
- = DELINEATOR
- ||||| = RUMBLE STRIP

ROADWAY LAYOUT 12 VT 25

PROJECT NAME: BRADFORD	PLOT DATE: 03-SEP-2014 12:50
PROJECT NUMBER: STP 2917(I)	DRAWN BY: SNG
FILE NAME: p10b236.dgn	CHECKED BY: PTS
PROJECT LEADER: PTS	SHEET 53 OF 105
DESIGNED BY: NULL	
IPARM FILE NAME: p10b236_53	