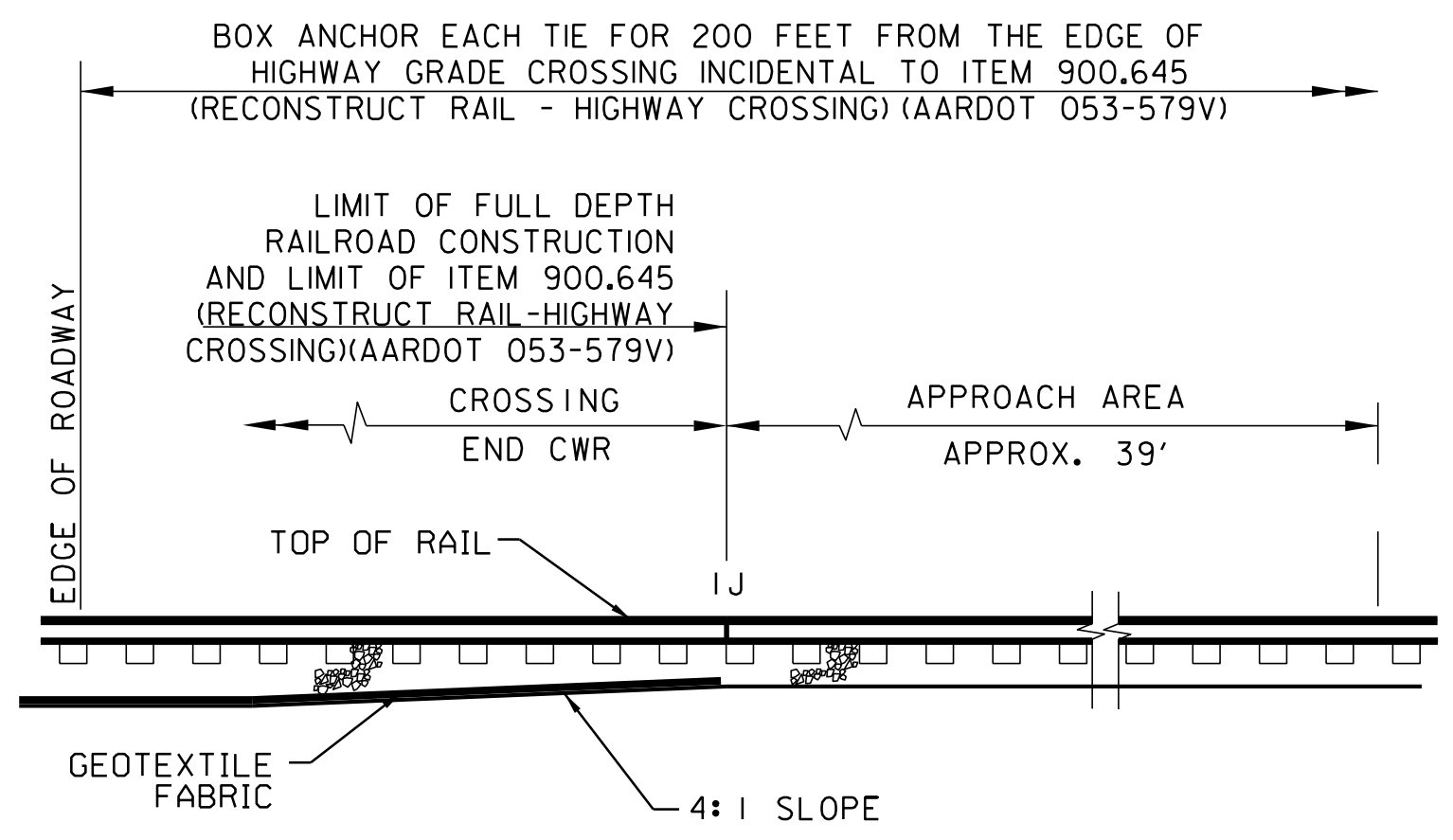
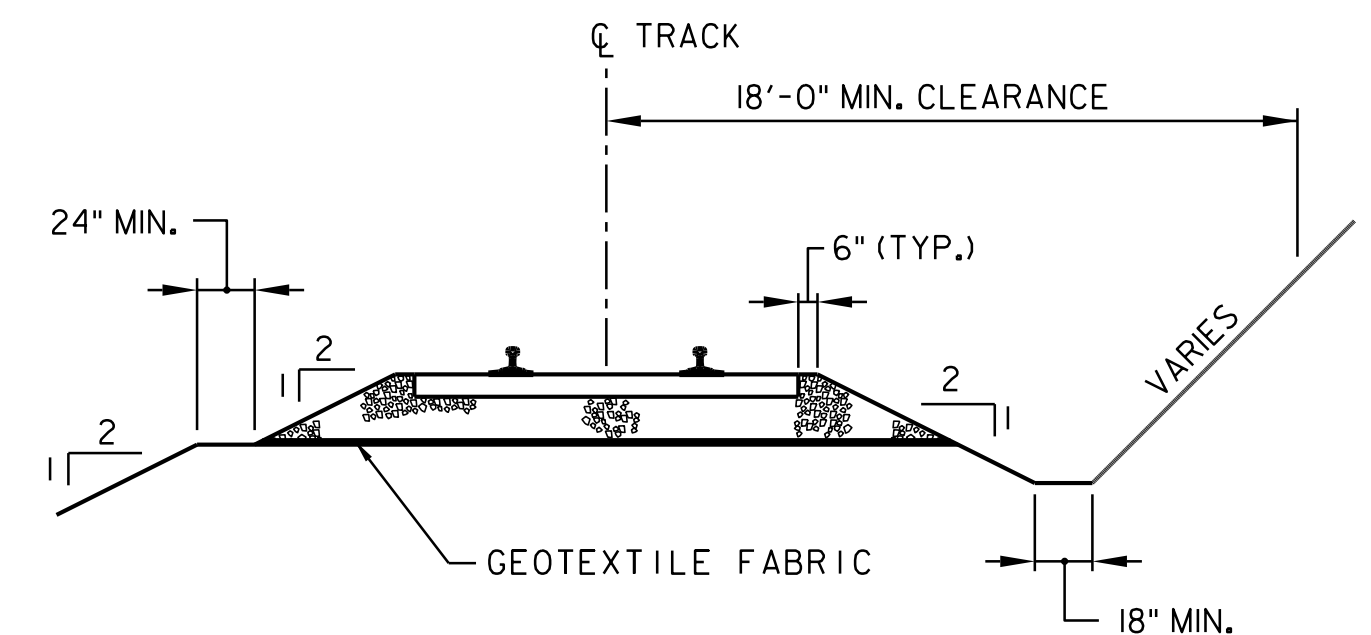


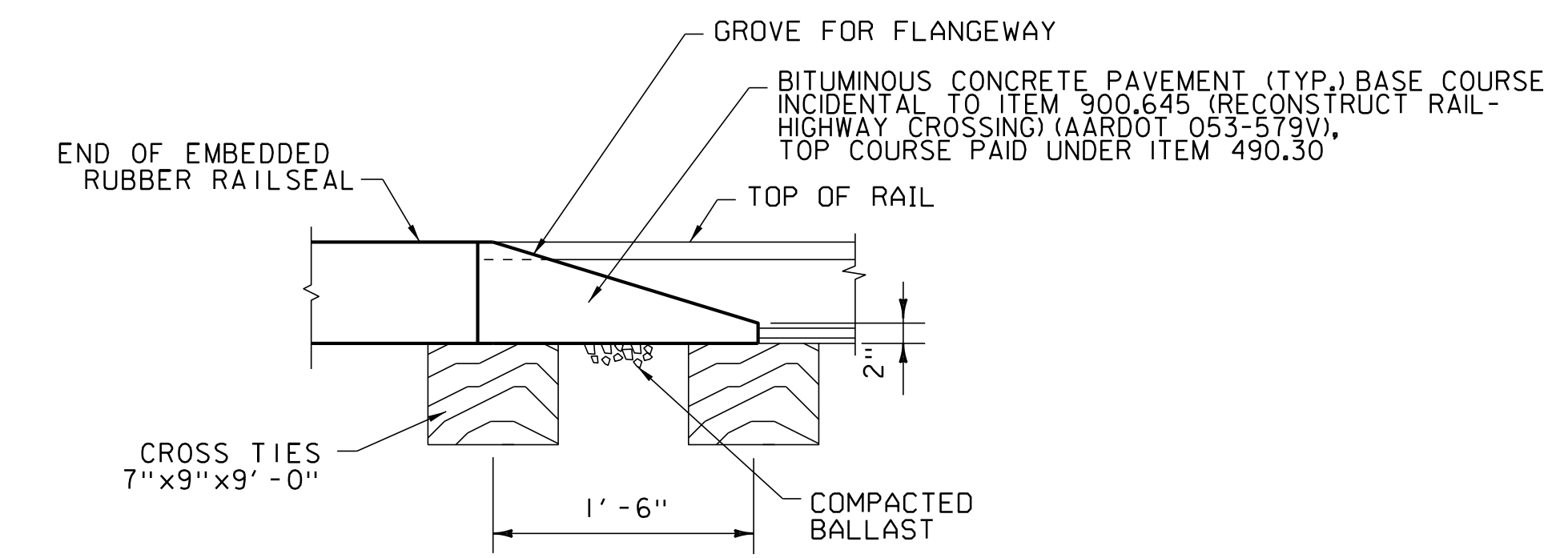
RAILROAD CWR, TIES, AND JOINTS PLAN
N.T.S.



TYPICAL BALLAST TRANSITION
N.T.S.

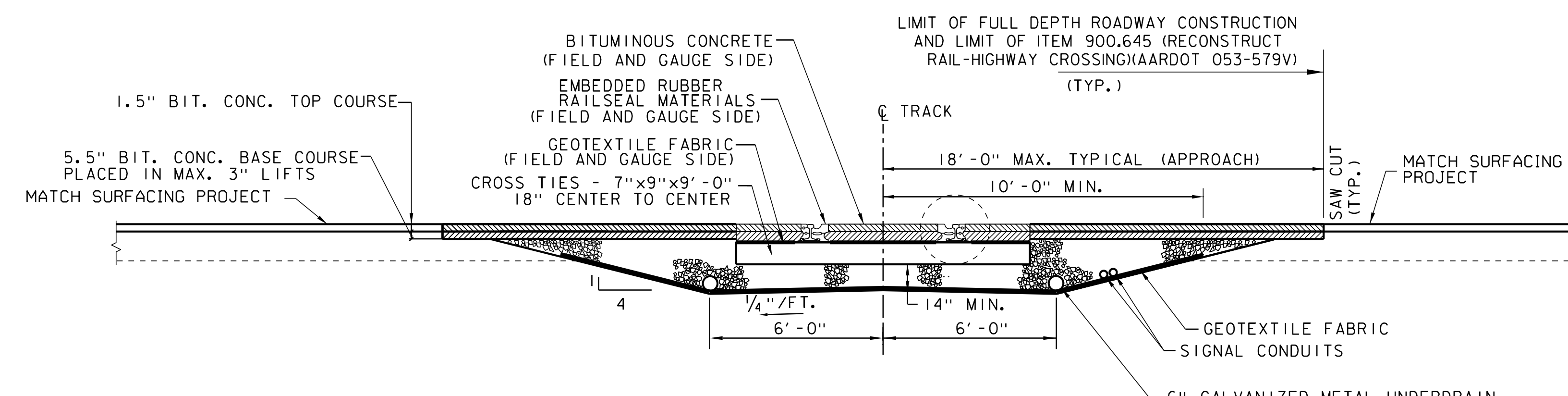


TYPICAL APPROACH SECTION
N.T.S.

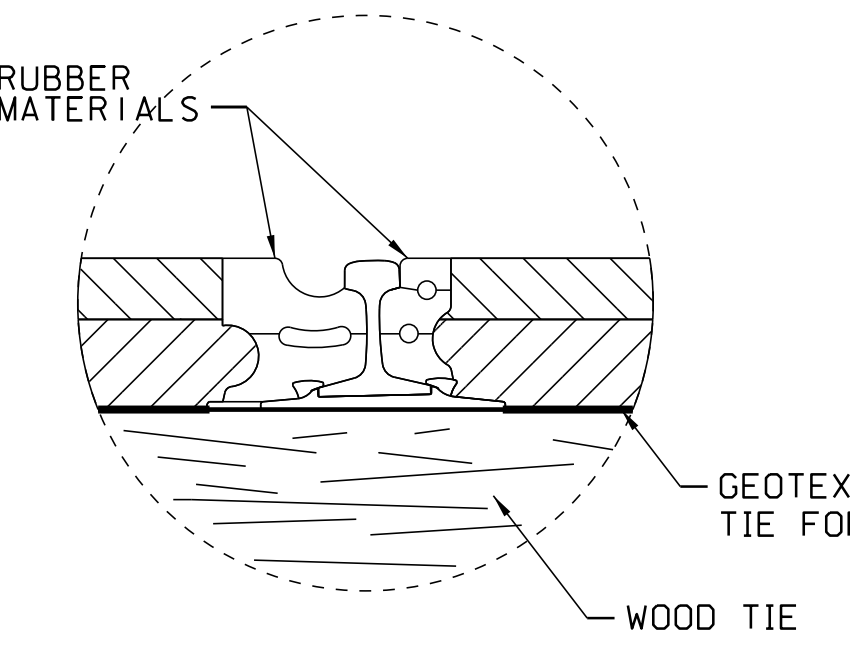


EMBEDDED RUBBER RAILSEAL END SIDE VIEW
N.T.S.

NOTE: GAUGE SIDE SHOWN (FIELD SIDE SIMILAR)



TYPICAL TRANSVERSE SECTION
N.T.S.



CROSSING DETAILS 2

PROJECT NAME: BRADFORD	PLOT DATE: 03-SEP-2014 12:50
PROJECT NUMBER: STP 2917(I)	DRAWN BY: ABR
FILE NAME: p10b236.dgn	CHECKED BY: JHR
PROJECT LEADER: PTS	SHEET 39 OF 105
DESIGNED BY: JHR	
IPARM FILE NAME: IOB236.39	