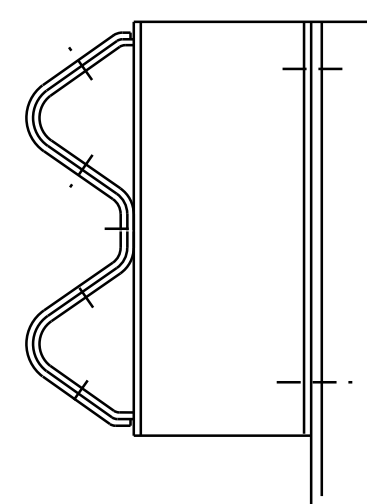


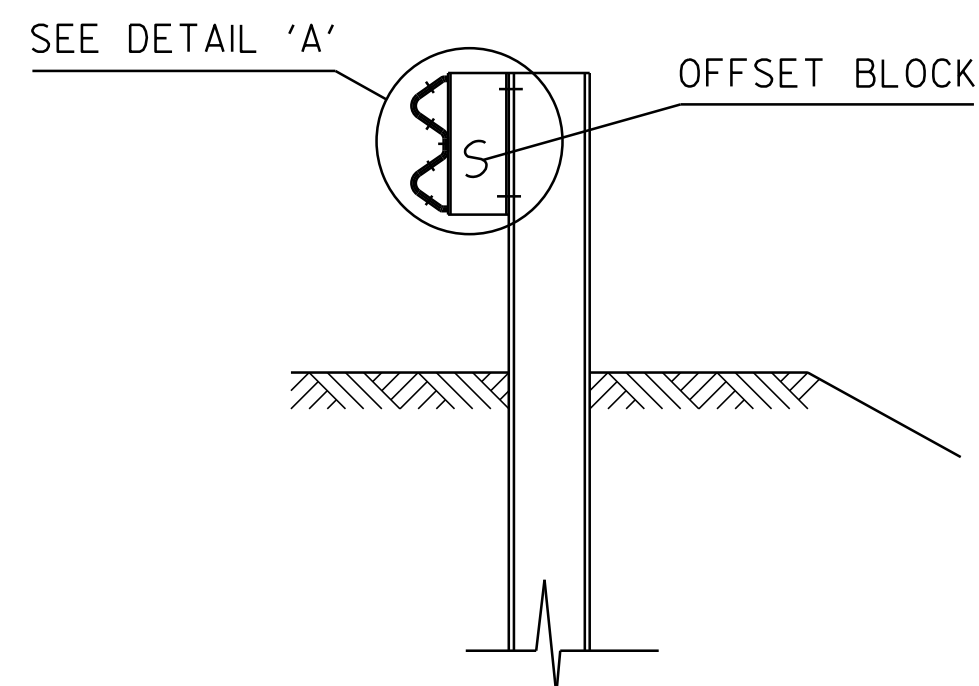
**DETAIL OF STEEL BEAM  
GUARDRAIL AT LARGE CULVERTS**

BRIDGE 8 - 294+46 MM 5.577 LT & RT



**DETAIL 'A'**

2 SECTIONS OF STEEL BEAM  
GUARDRAIL (ONE SECTION  
INSIDE THE OTHER)



**SECTION A-A**

**NOTES**

1. SEE VAOT STANDARDS G-1& G-1d FOR STEEL BEAM GUARDRAIL DETAILS.
2. THIS WORK SHALL BE PAID UNDER ITEM 621.207 STEEL BEAM GUARDRAIL, GALVANIZED/NESTED W/8 FEET POSTS.
3. THIS DETAIL TO BE USED AS INDICATED ON THE ITEM DETAIL SHEET OR AS DIRECTED BY THE ENGINEER.

TYP. @ LOCATIONS SHOWN BELOW

|               |                                      |  |  |                                      |               |
|---------------|--------------------------------------|--|--|--------------------------------------|---------------|
| 6'-3" SPACING | 3 SPACES @ 4'-2" "                   | 4 SPACES @ 3'-1 1/2"                   | 4 SPACES @ 3'-1 1/2"                   | 3 SPACES @ 4'-2" "                   | 6'-3" SPACING |
|               | = 12.5'                              | = 12.5'                                | = 12.5'                                | = 12.5'                              |               |
|               |                                      | 4' OR LESS UTIL POLE                   |  |                                      |               |
|               | 12.5' REDUCED SPACING                | 12.5' REDUCED SPACING                  | 12.5' REDUCED SPACING                  | 12.5' REDUCED SPACING                |               |
|               | PAY FACTOR 1.2<br>(12.5')(1.2) = 15' | PAY FACTOR 1.4<br>(12.5')(1.4) = 17.5' | PAY FACTOR 1.4<br>(12.5')(1.4) = 17.5' | PAY FACTOR 1.2<br>(12.5')(1.2) = 15' |               |

**NON-YIELDING OBJECT DETAIL**

OBJECTS WITHIN 4.0 FT OF GUARDRAIL

LOCATION

- 2+04 RT
- 3+32 RT
- 125+08 RT
- 127+58 RT
- 130+50 RT
- 237+67 LT
- 243+41 LT

NOT TO SCALE

**GUARDRAIL DETAILS SHEET**

PROJECT NAME: BRADFORD

PROJECT NUMBER: STP 2917(I)

FILE NAME: p10b236.dgn

PROJECT LEADER: PTS

DESIGNED BY: NULL

IPARM FILE NAME: p10b236\_33

PLOT DATE: 03-SEP-2014 12:50

DRAWN BY: WWG

CHECKED BY: PTS

SHEET 33 OF 105