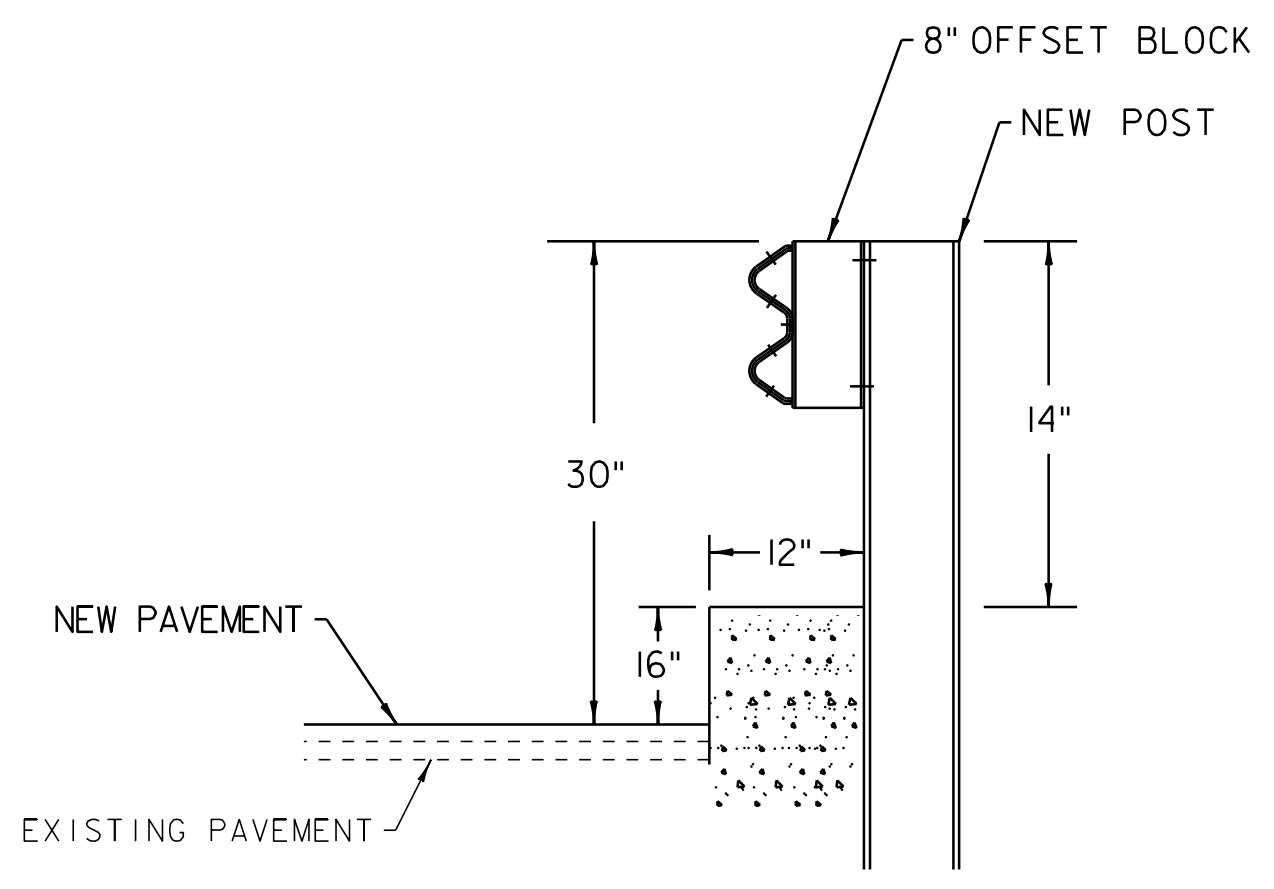


BRIDGE 4
191+36
MM 3.624



BRIDGE POST DETAIL

NEW STEEL BEAM BRIDGE RAIL AND OFFSET BLOCKS, WITH NEW POSTS, SHALL BE ATTACHED TO THE BRIDGE UTILIZING THE EXISTING ANCHOR BOLTS.

LEGEND
 S = SPLICE
 ○ = DELINEATOR

BRIDGE DETAIL SHEET 2

PROJECT NAME: BRADFORD	PLOT DATE: 03-SEP-2014 12:49
PROJECT NUMBER: STP 2917(I)	DRAWN BY: WWG
FILE NAME: p10b236.dgn	CHECKED BY: PTS
PROJECT LEADER: PTS	SHEET 27 OF 105
DESIGNED BY: NLL	
IPARM FILE NAME: p10b236_27	

NOT TO SCALE