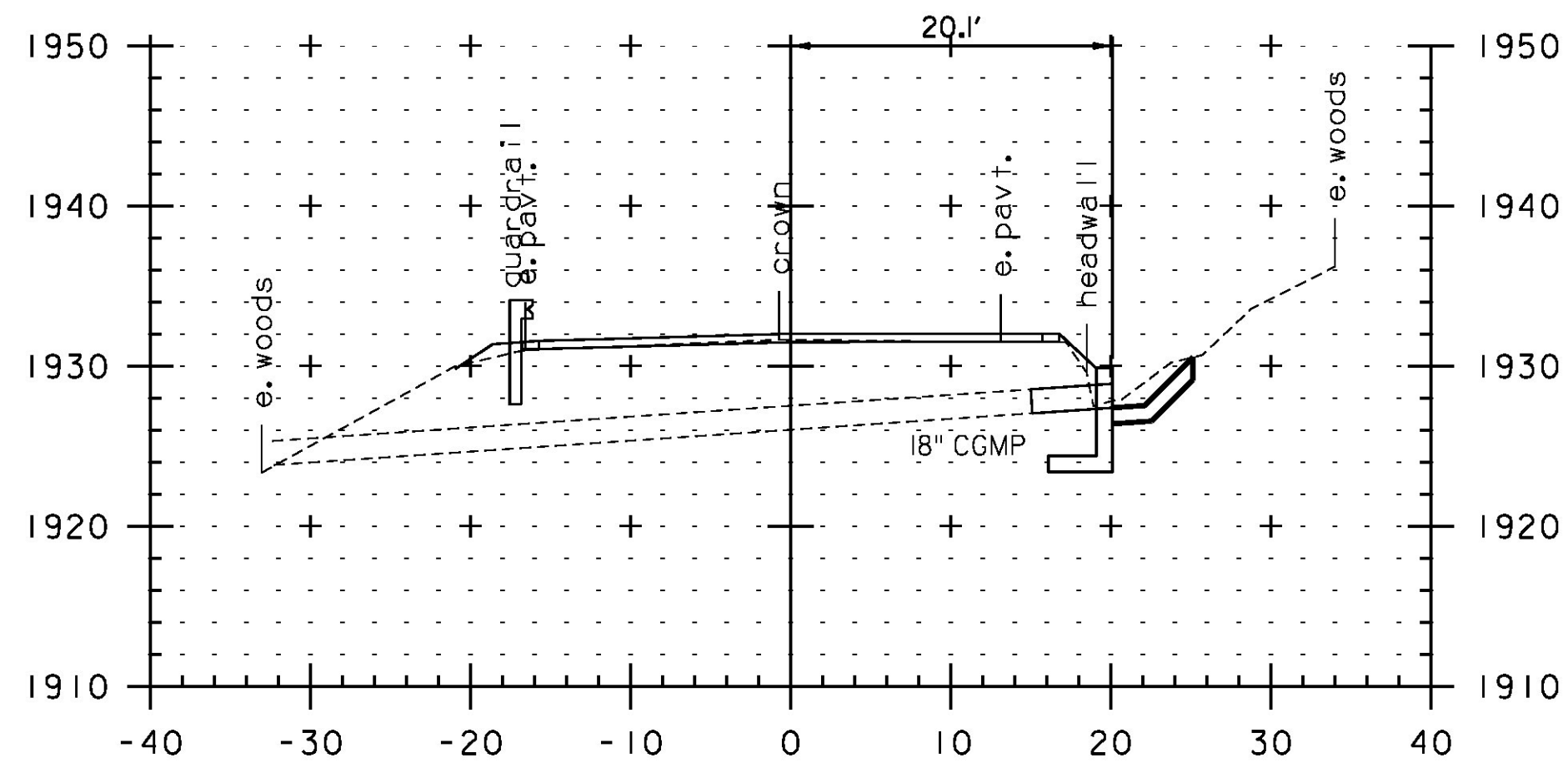


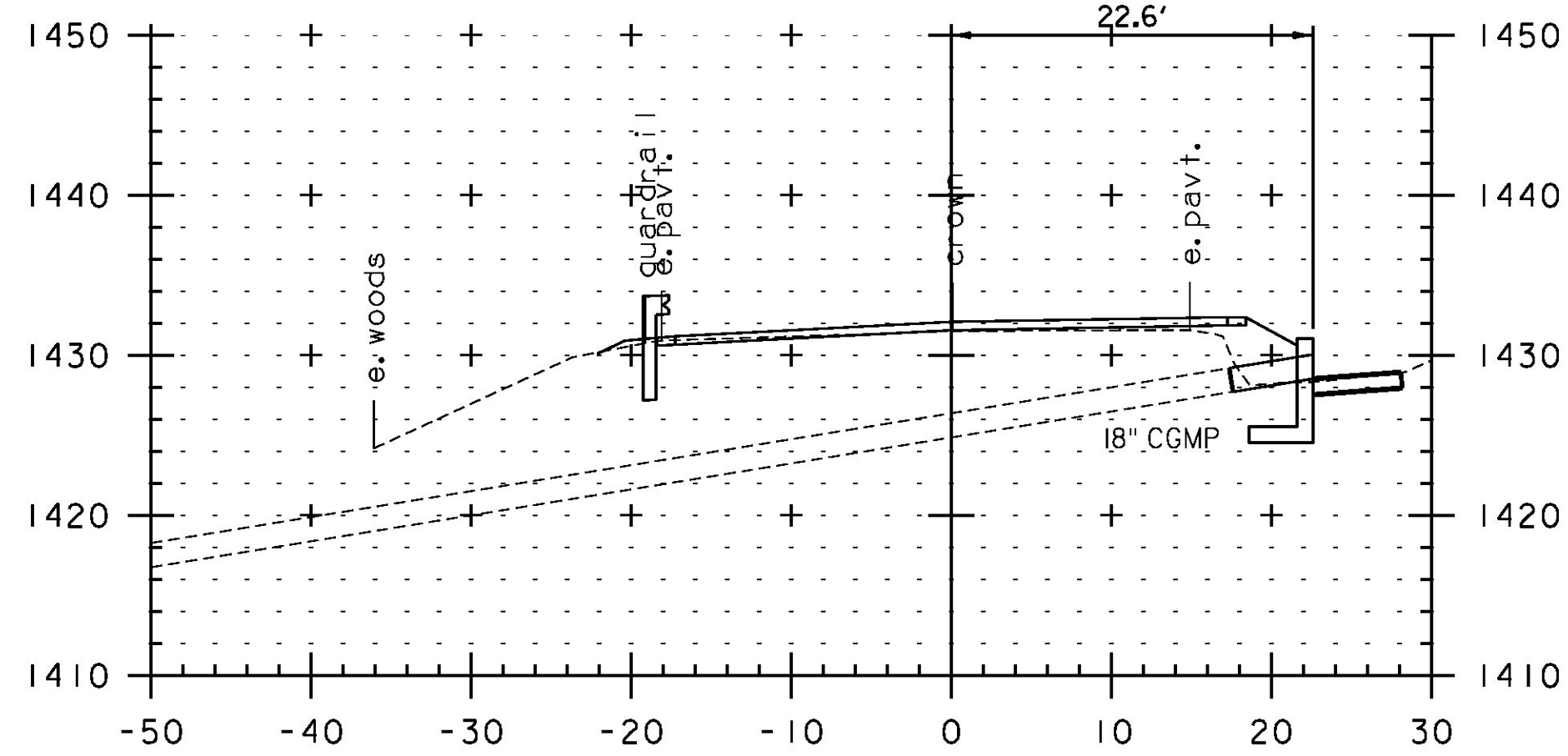
82+04



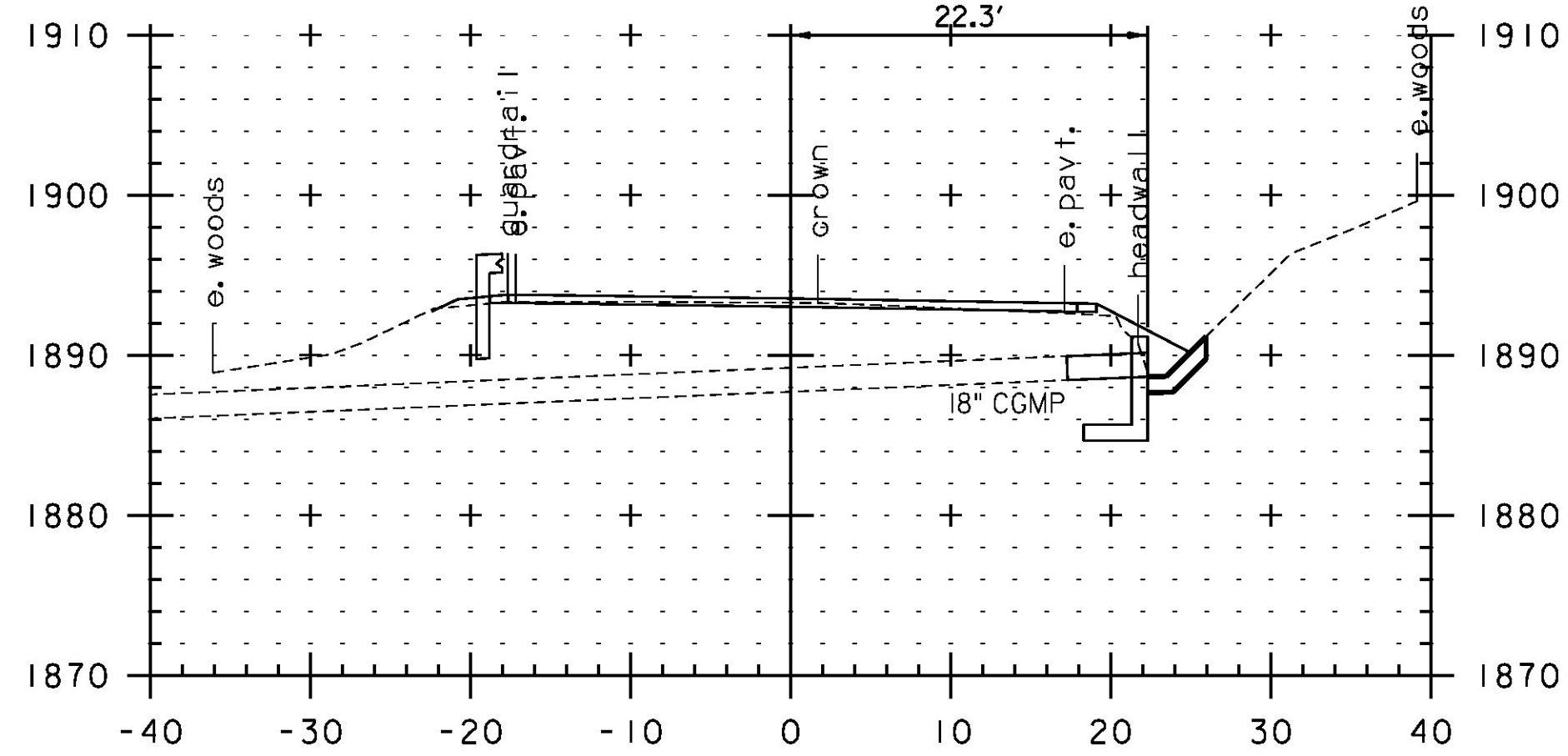
160+44

DRAINAGE NOTES

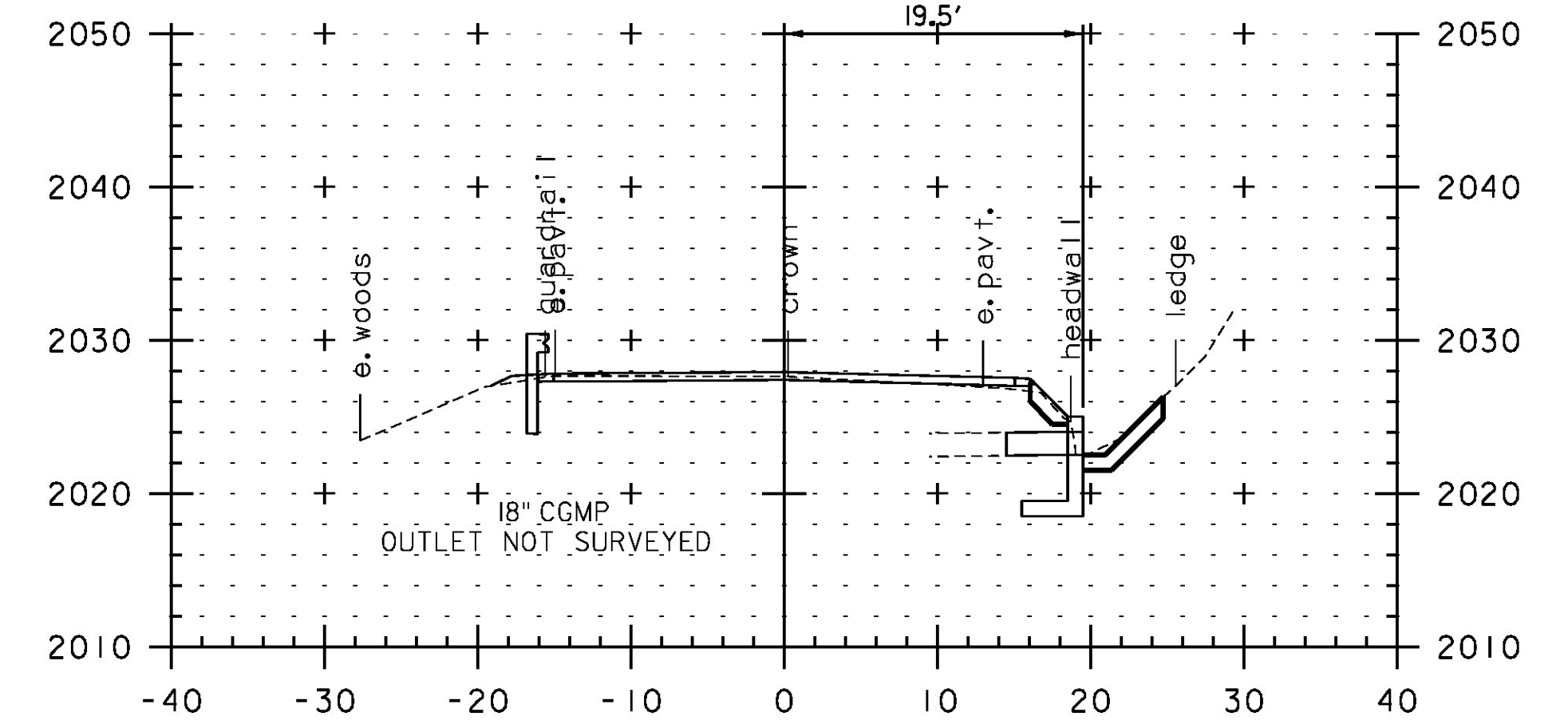
1. SEE PLAN SHEETS FOR SKEW ANGLE OF HEADWALLS.
2. HEADWALLS TO BE CONSTRUCTED IN ACCORDANCE WITH VAOT STANDARD D-33.
3. PIPE EXTENSIONS SHALL MATCH THE SIZE AND MATERIAL OF THE EXISTING PIPES AS DIRECTED BY THE ENGINEER.
4. CONSTRUCT STONE SLOPE AS SHOWN ON THE FILL SLOPE WITH STONE FILL DETAIL ON SHEET 15.
5. REGRADE INLET AND DITCHES AS SHOWN ON THE DITCH CLEANING DETAIL SHEET (SHEET 33).
6. DRAINAGE CROSS SECTIONS ARE TAKEN ALONG THE EXISTING PIPE.



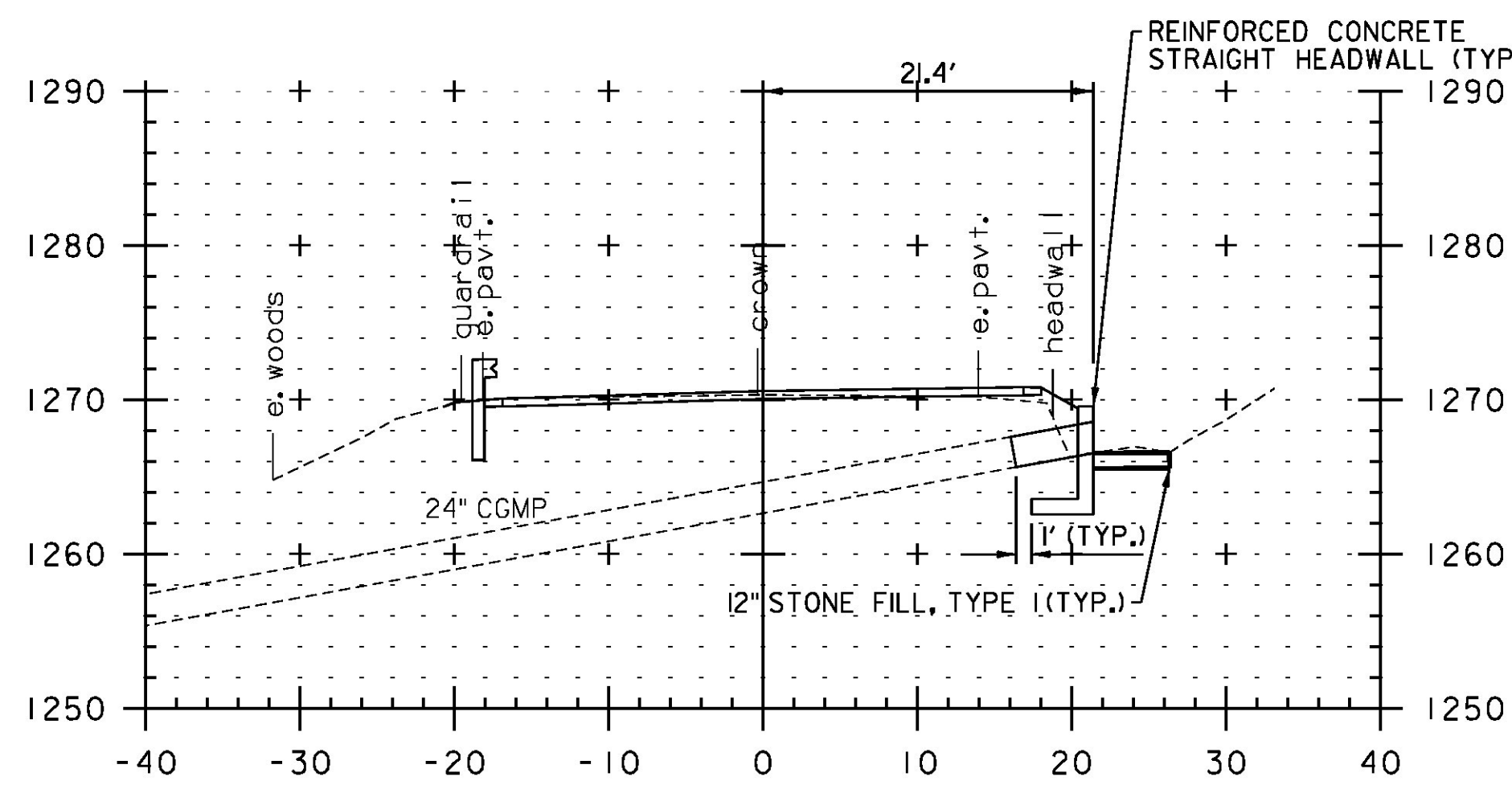
77+96



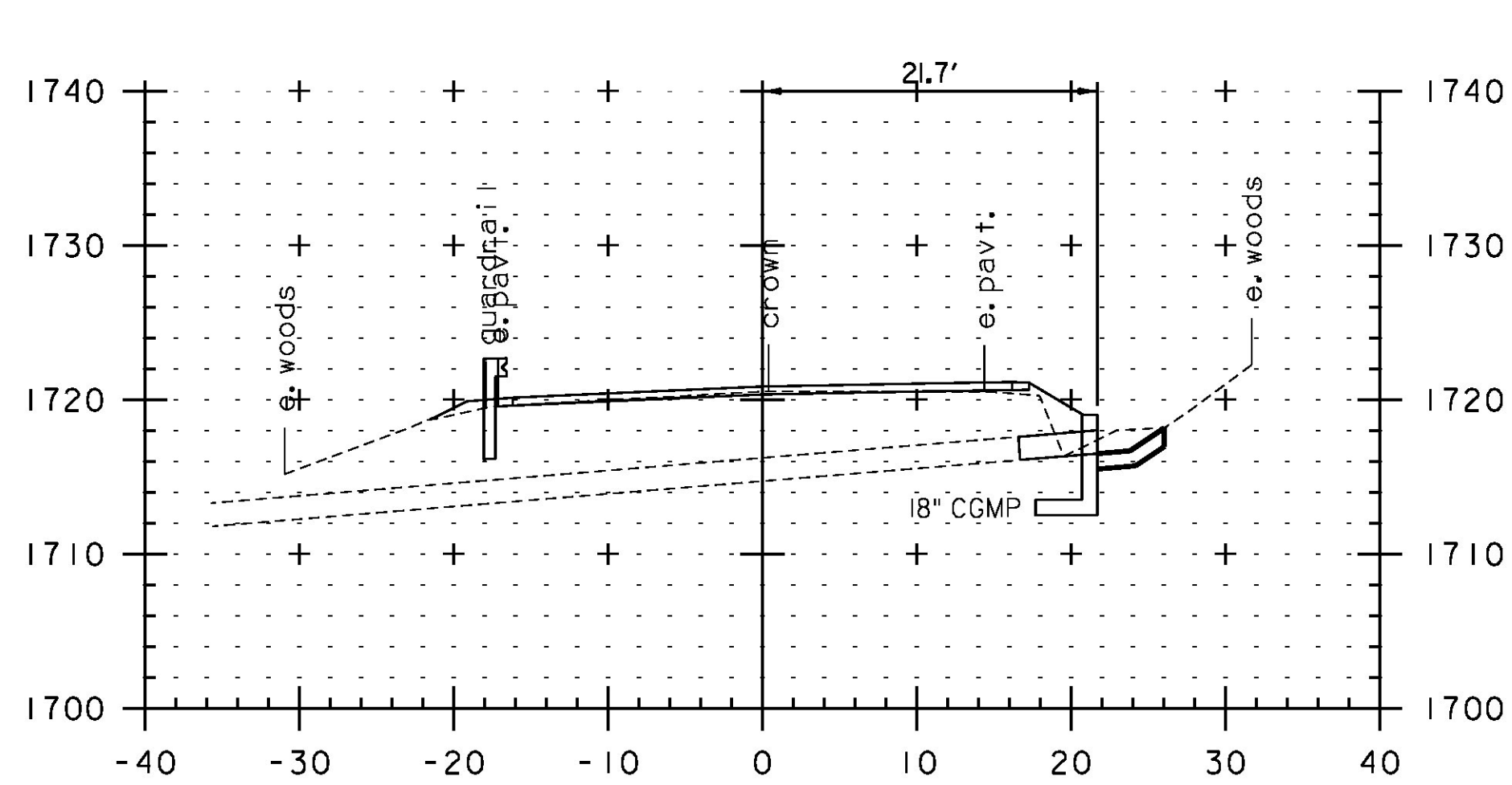
154+01



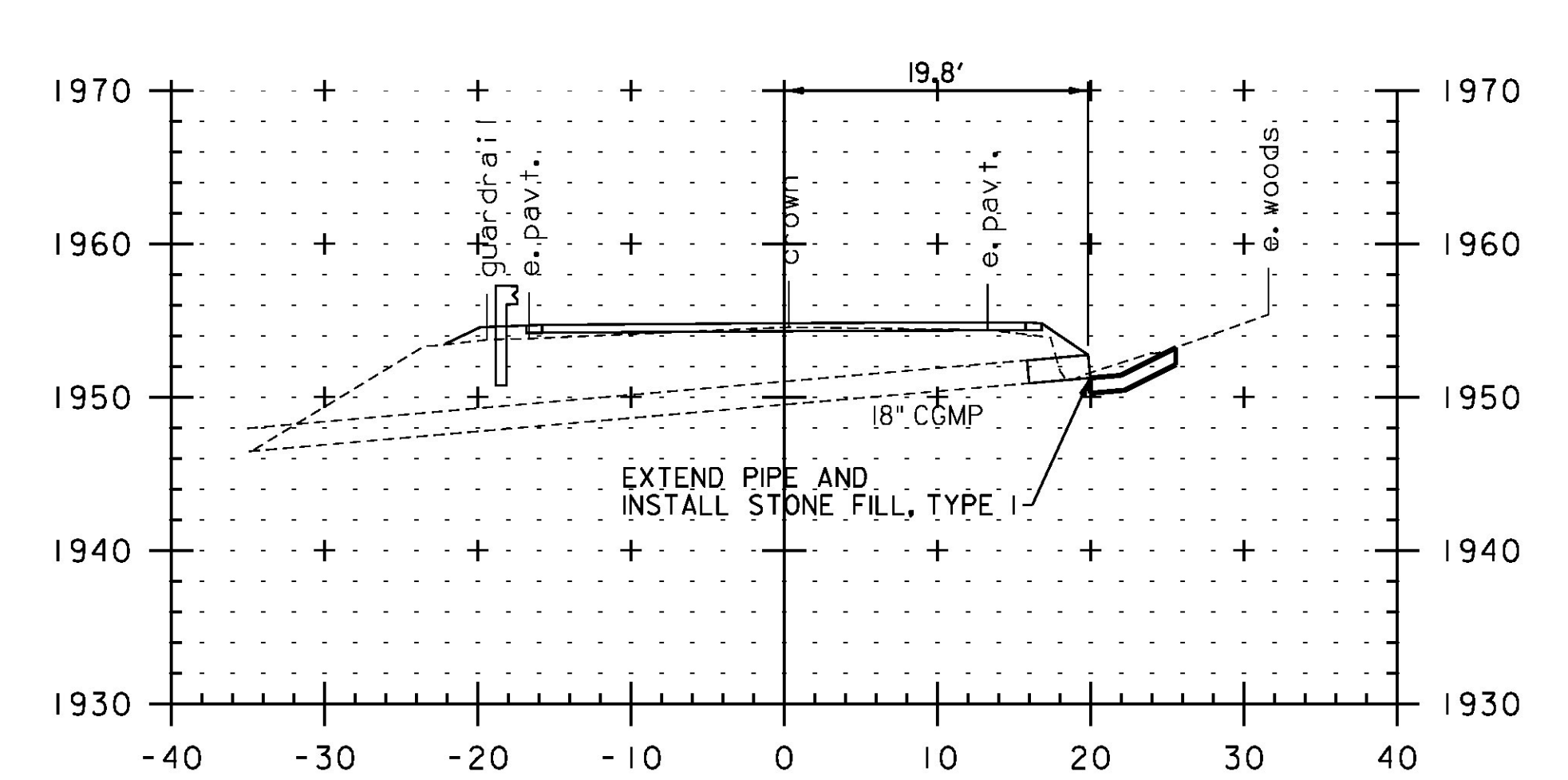
175+78



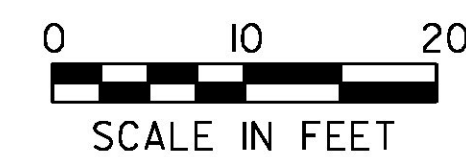
53+60



126+09



163+84



SCALE IN FEET

STA. 53+60 TO STA. 175+78

PROJECT NAME:	JAY-TROY	PLOT DATE:	5/16/2014
PROJECT NUMBER:	STP 2315(I)	DRAWN BY:	W. GORDON
FILE NAME:	z10b232xs.dgn	CHECKED BY:	P. SHEDD
PROJECT LEADER:	P. SHEDD	DRAINAGE CROSS SECTION SHEET	SHEET 241 OF 244