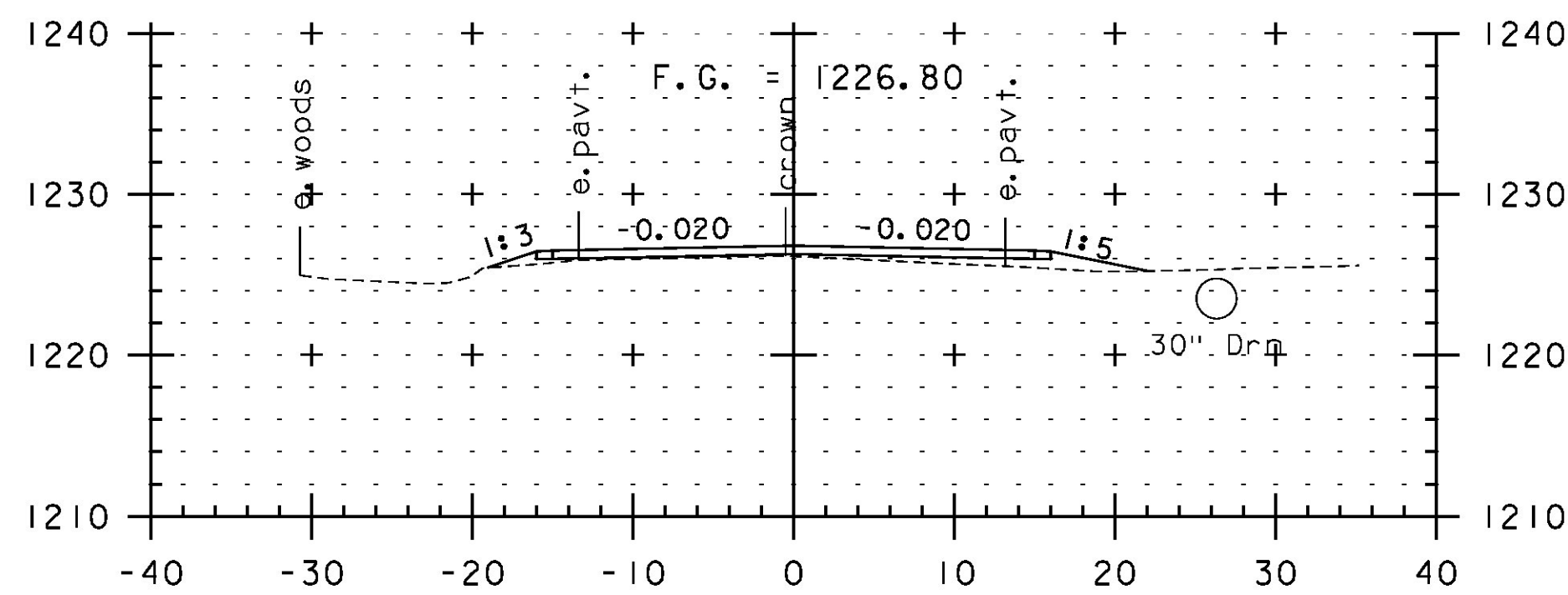
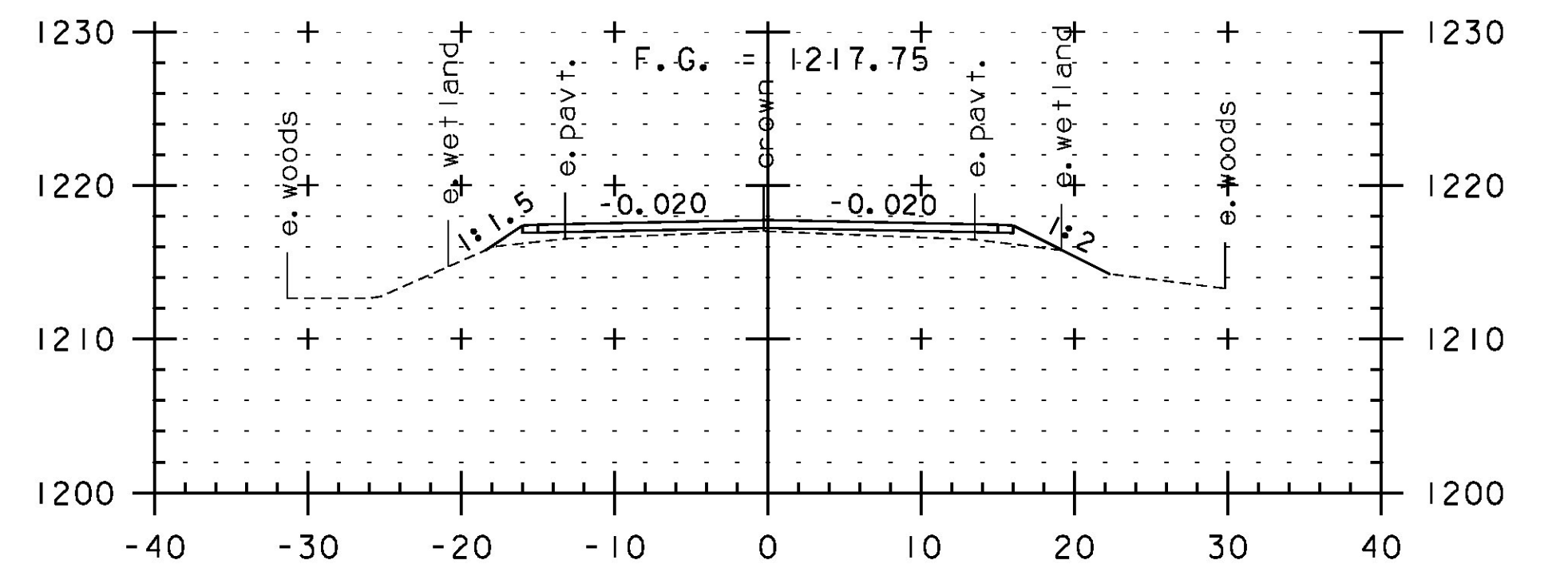


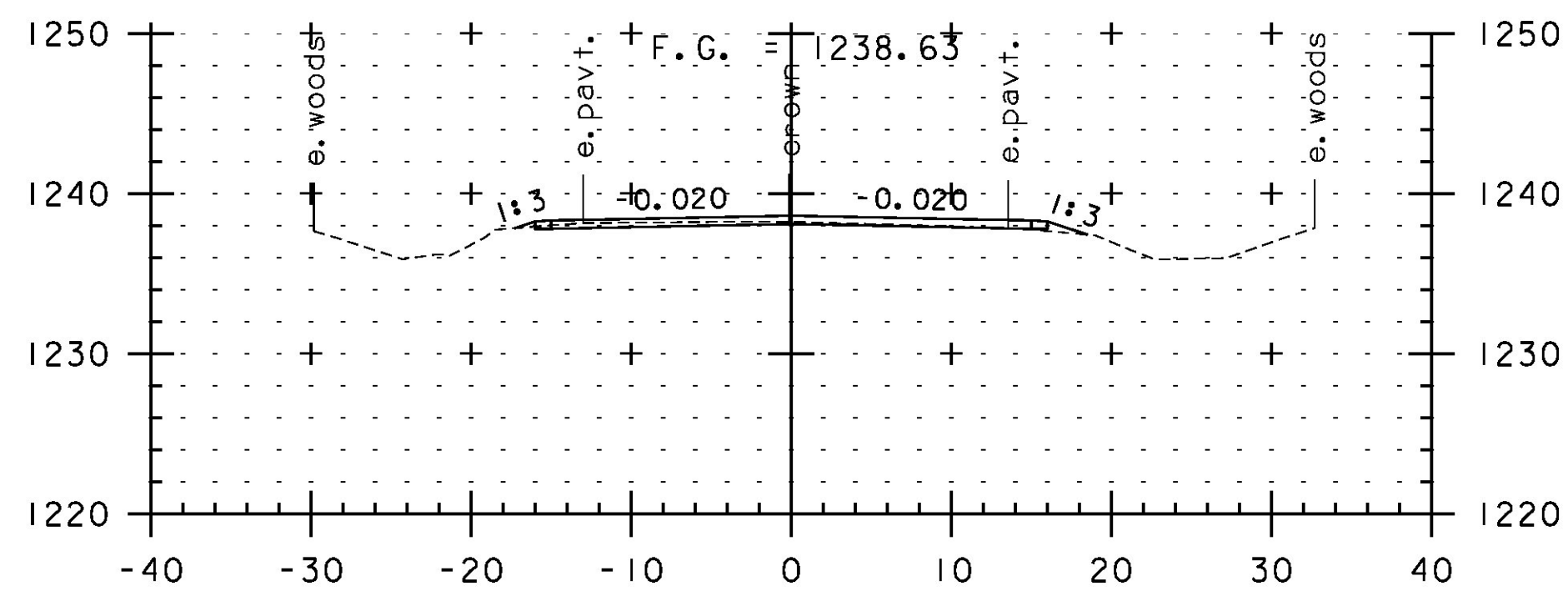
329+00



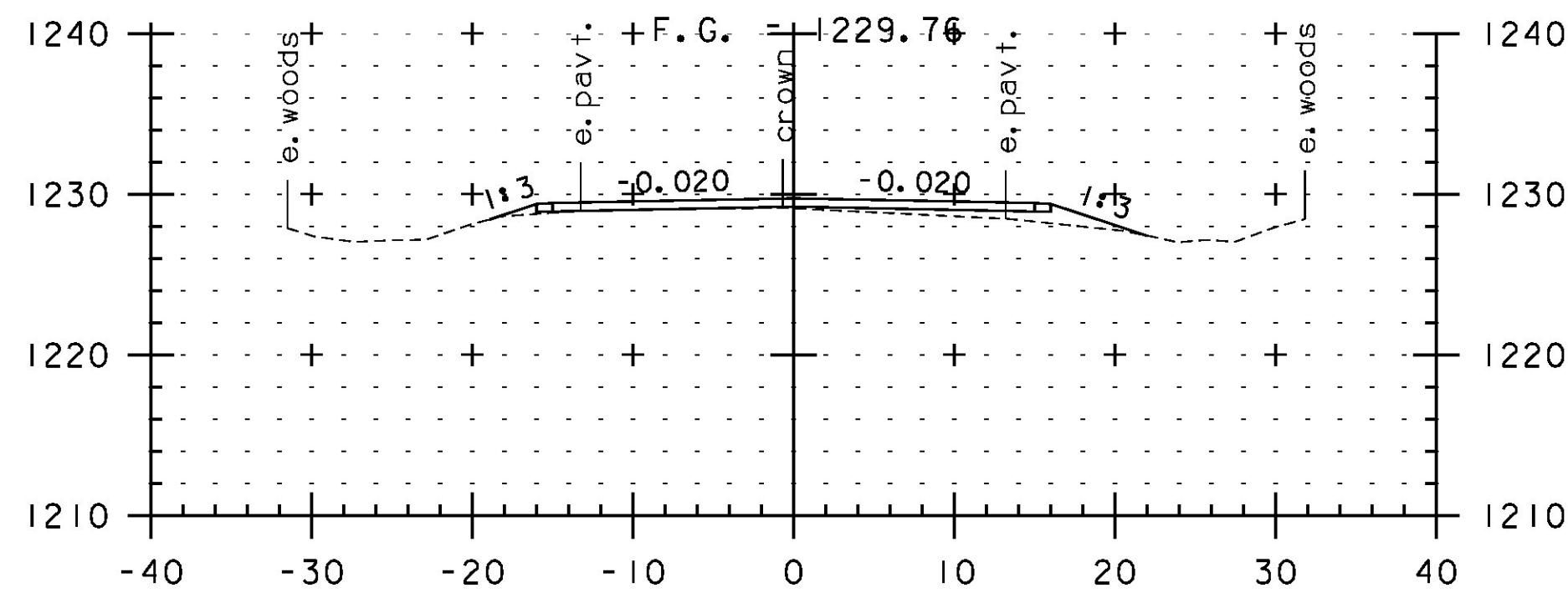
330+50



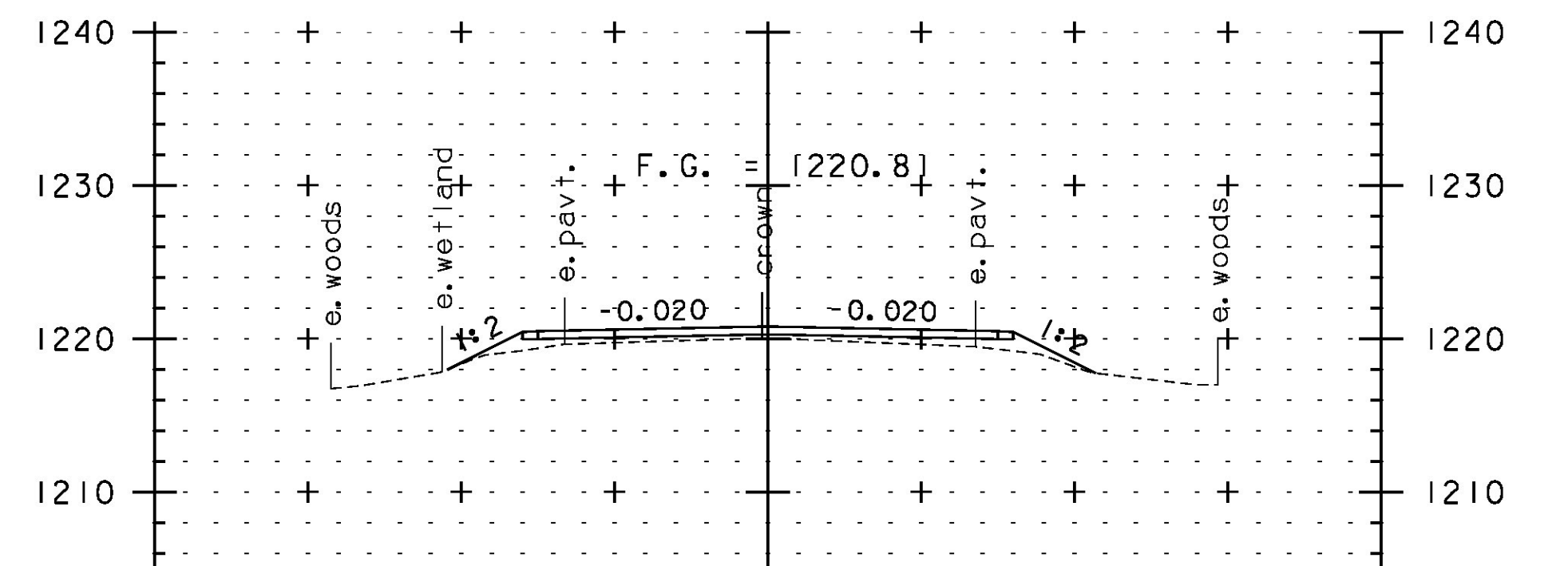
332+00



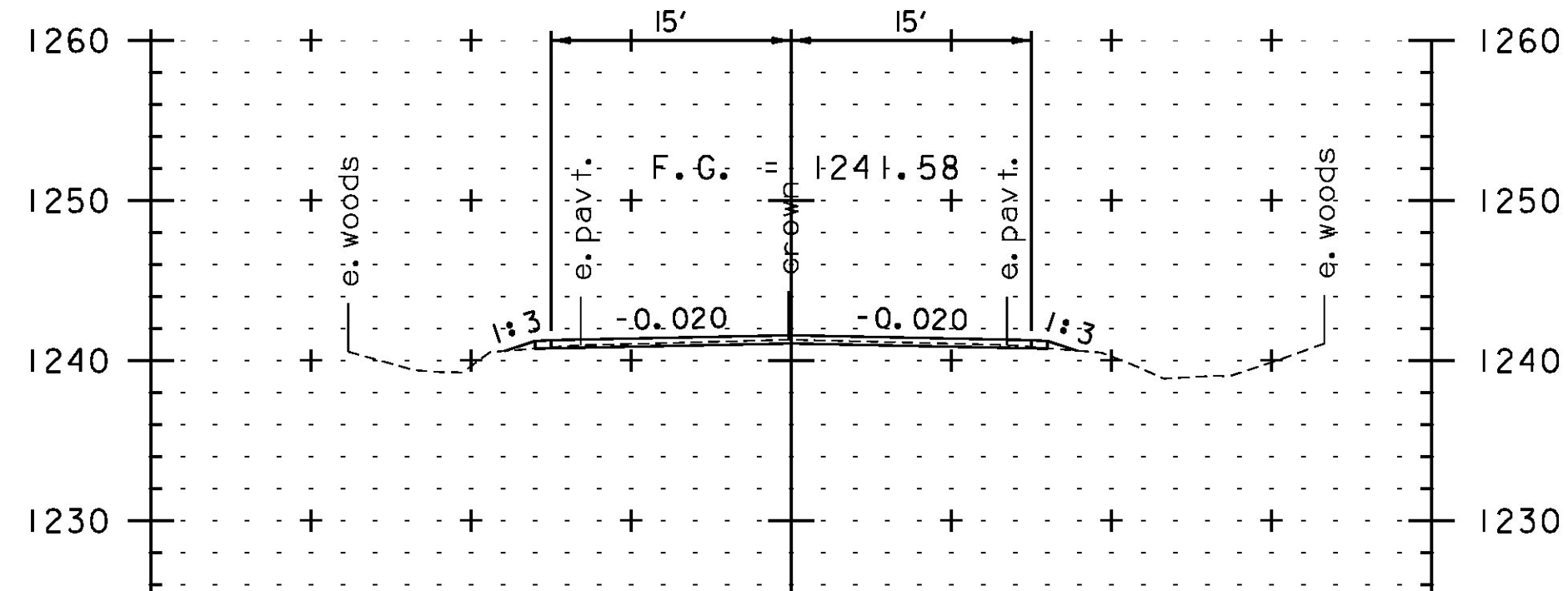
328+50



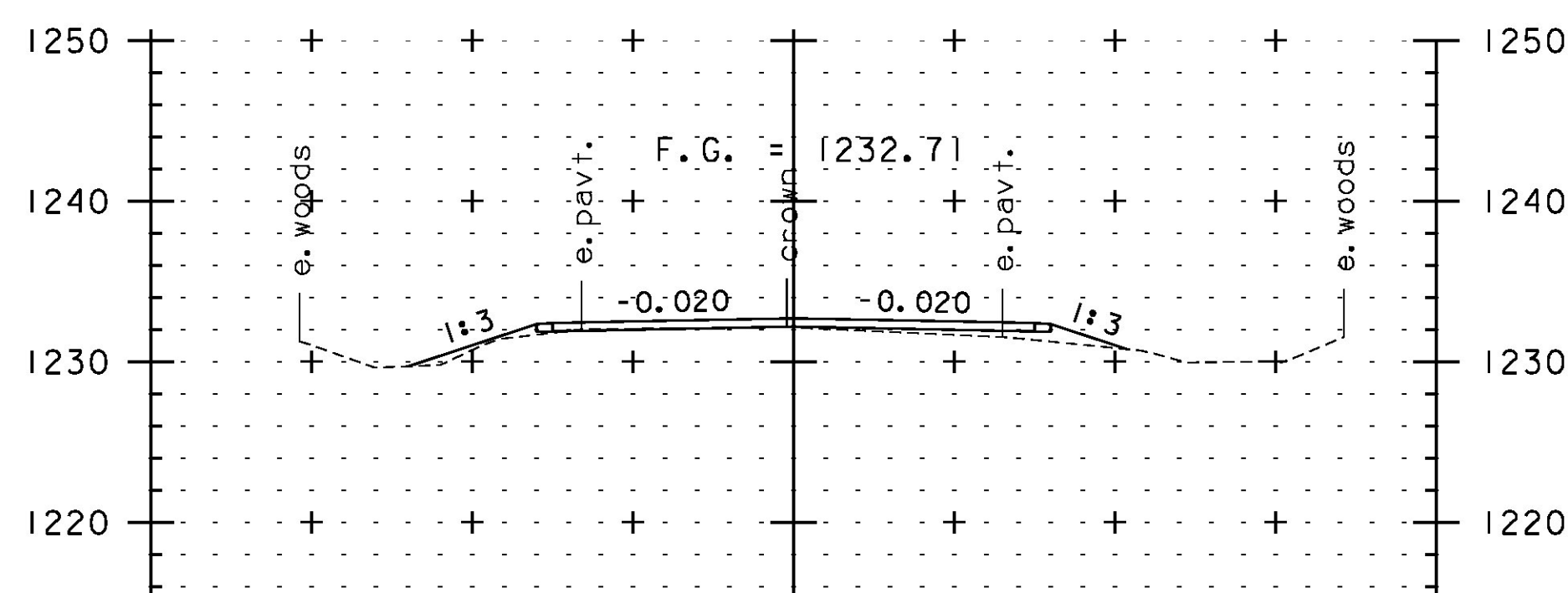
330+00



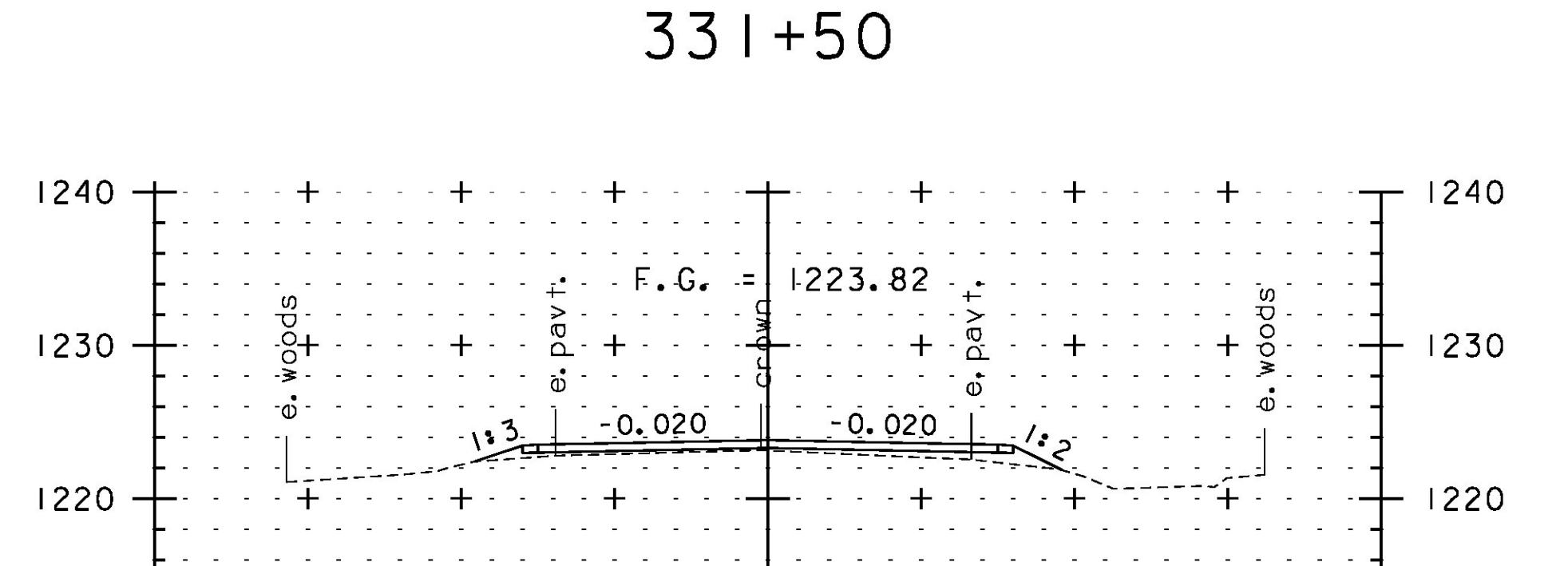
331+50



328+00



329+50



331+00



SCALE IN FEET

STA. 328+00 TO STA. 332+00

PROJECT NAME:	JAY-TROY	PLOT DATE:	5/16/2014
PROJECT NUMBER:	STP 2315(I)	DRAWN BY:	W. GORDON
FILE NAME:	z10b232xs.dgn	CHECKED BY:	P. SHEDD
PROJECT LEADER:	P. SHEDD	CROSS SECTION SHEET	75
DESIGNED BY:	N. LEMAY	SHEET	211 OF 244