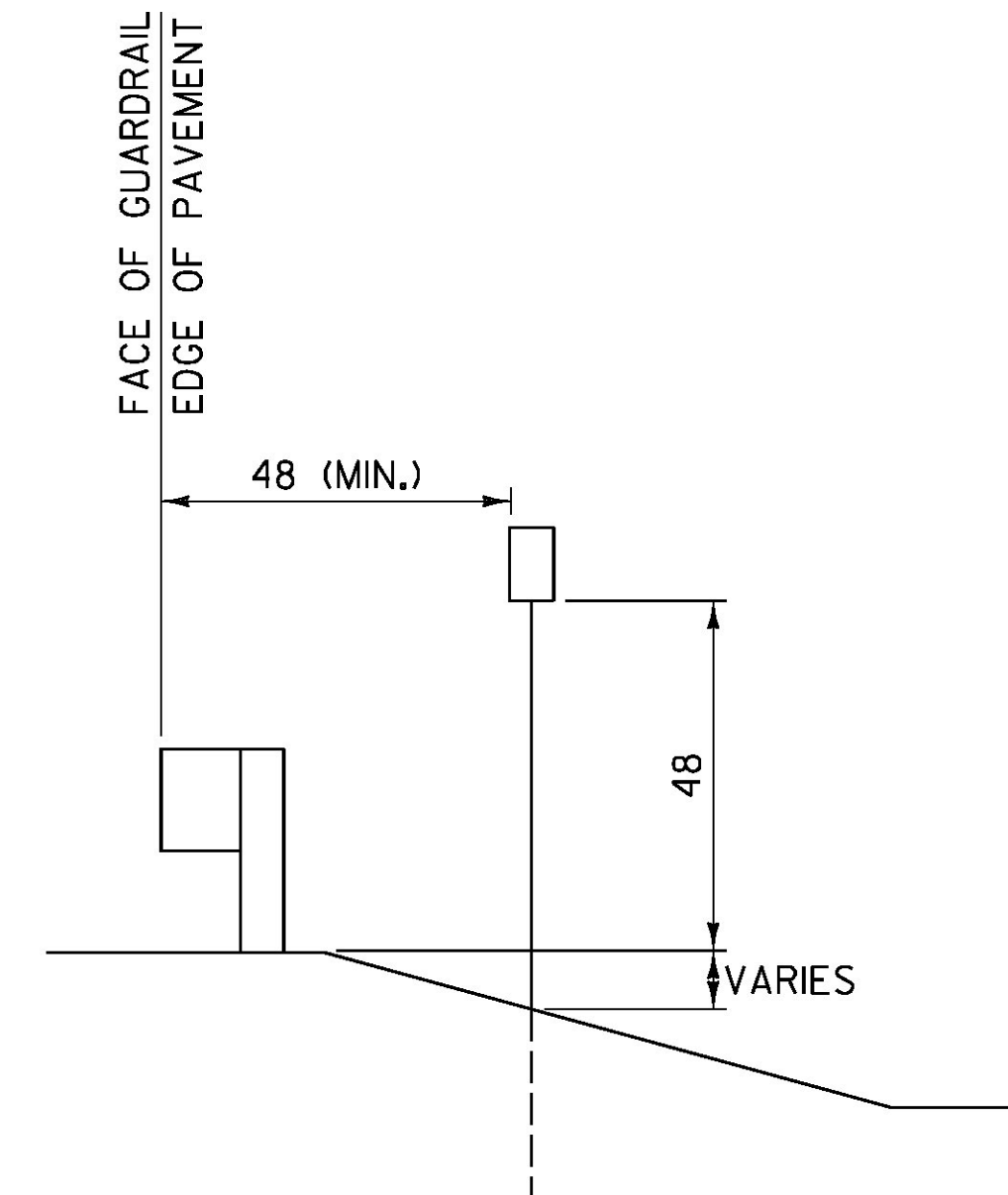


VD-701



VD-701 INSTALLATION DETAIL

BRIDGE NUMBER PLAQUE DETAILS

BRIDGE PLAQUE NOTES

1. BRIDGE NUMBER PLAQUES SHALL BE LOCATED ON BOTH BRIDGE APPROACHES AT THE NEAREST VISIBLE LOCATION.
2. THE SIGN BASE MATERIAL SHALL BE 0.063 INCH FLAT SHEET ALUMINUM.
3. THE SIGN SHALL BE WHITE RETROREFLECTIVE LEGEND ON A GREEN RETROREFLECTIVE BACKGROUND, BOTH SHALL HAVE RETROREFLECTIVE SHEETING EQUAL TO OR EXCEEDING "AMERICAN ASSOCIATION OF STATE HIGHWAY AND TRANSPORTATION OFFICIALS" (AASHTO) M 268 ["AMERICAN SOCIETY FOR TESTING AND MATERIALS" (ASTM) D 4956] TYPE III.
4. THE SECOND LINE OF TEXT INDICATES THE BRIDGE NUMBER. THE TEXT USED SHALL BE AS SHOWN ON THE TRAFFIC SIGN SUMMARY SHEETS. THE BRIDGE NUMBER CAN BE OBTAINED USING THE VERMONT AGENCY OF TRANSPORTATION (VAOT) ROUTE LOGS OR BY CONSULTING WITH THE VAOT STRUCTURES SECTION.
5. THE THIRD LINE OF TEXT INDICATES THE STATE ROUTE NUMBER. IN ALL CASES THIS WILL BE DEPICTED USING THE LETTER ABBREVIATION, FOLLOWED BY A HYPHEN, FOLLOWED BY THE ROUTE NUMBER. FOR EXAMPLE US ROUTE 2 WOULD BE IDENTIFIED USING US-2.
6. THE SECOND AND THIRD LINES OF TEXT SHALL BE CENTERED HORIZONTALLY AND SHALL BE AS DEFINED IN THE PLANS.
7. A SINGLE 14 GAGE, 1.75 INCH SQUARE STEEL POST AND 12 GAGE, TWO INCH SQUARE ANCHOR SHALL BE USED FOR INSTALLATION. THE ANCHOR SHALL BE A MINIMUM OF 30 INCHES IN LENGTH.
8. ALL DIMENSIONS SHOWN IN INCHES.

NOT TO SCALE

PROJECT NAME: JAY-TROY	PLOT DATE: 5/16/2014
PROJECT NUMBER: STP 2915(I)	DRAWN BY: S. GOODWIN
FILE NAME: z10b232tsdet.dgn	CHECKED BY: P. SHEDD
PROJECT LEADER: P. SHEDD	DESIGNED BY: VTRANS
TRAFFIC SIGN DETAIL SHEET 3	SHEET 113 OF 244