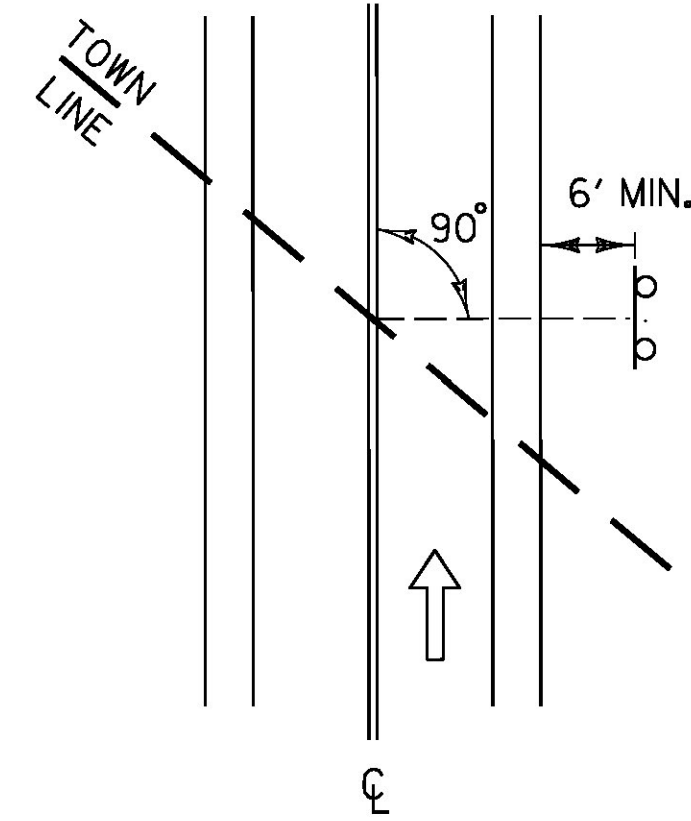
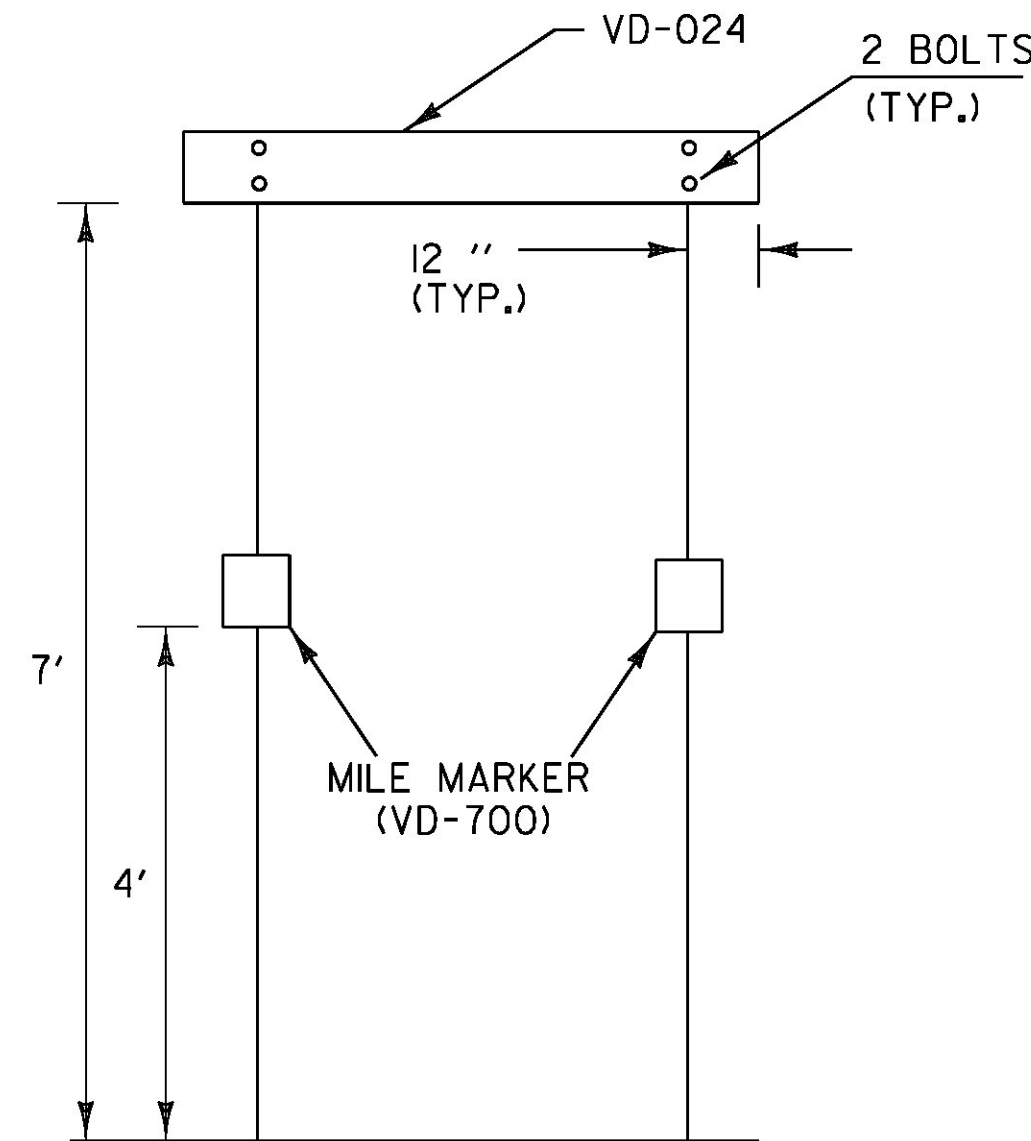


1.5" Radius, No border, White on Green;  
[Troy] C 2K; [Jay] C 2K;



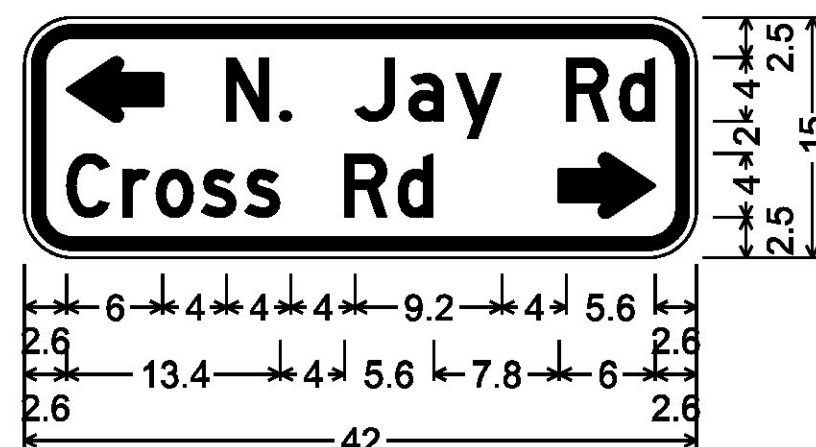
THE SIGN SHALL BE MOUNTED PARALLEL WITH THE ROADWAY, NORMALLY ON RIGHT SIDE TRAVELING WEST TO EAST OR SOUTH TO NORTH.

WHEN CROSSING COUNTY BOUNDARIES AN ADDITIONAL COUNTY LINE SIGN SHALL BE MOUNTED BELOW THE TOWN LINE SIGN MAINTAINING A SEVEN FOOT CLEARANCE.

**TOWN LINE SIGN NOTES**

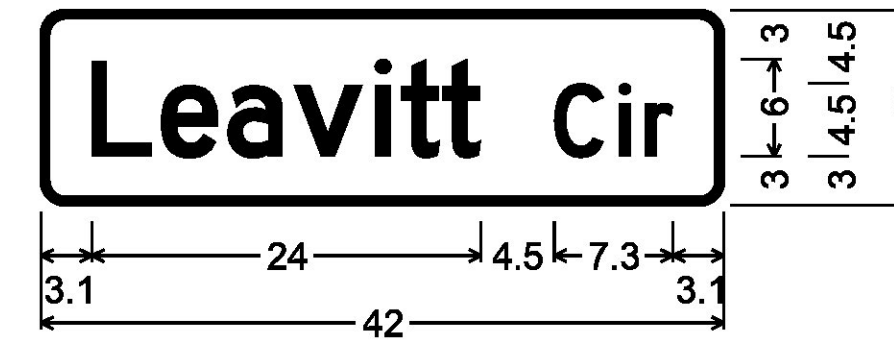
1. WORD TO WORD SPACING FOR MULTIPLE TEXT TOWN NAMES IS ADJUSTABLE TO ACCOMMODATE DIMENSION REQUIREMENTS.
2. DIMENSIONS SHOWN ARE APPROXIMATE AND MAY BE ADJUSTED SLIGHTLY TO ACCOMMODATE VARIOUS MANUFACTURER'S LETTER WIDTHS.
3. ALL DIMENSIONS ARE IN INCHES EXCEPT WHERE NOTED.
4. DIMENSIONS TO THE BOTTOM OF SIGN SHALL BE MEASURED FROM THE EDGE OF TRAVELED WAY.

**TOWN LINE SIGN DETAILS**

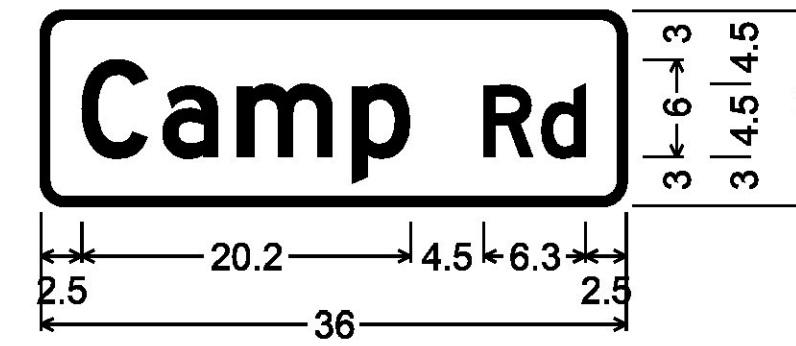


W16-8aP;  
3.0" Radius, 0.8" Border, 0.5" Indent, Black on Yellow;  
Standard Arrow Custom 6.0" X 4.0" 180°;  
[N. Jay Rd] D 75% spacing;  
[Cross Rd] D 75% spacing;  
Standard Arrow Custom 6.0" X 4.0" 0°;

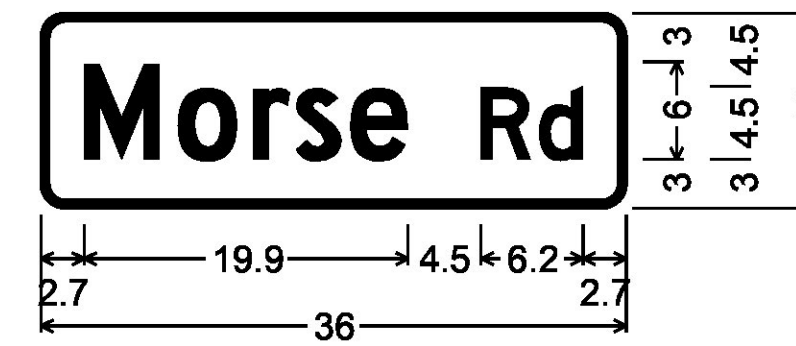
**W16-8aP**



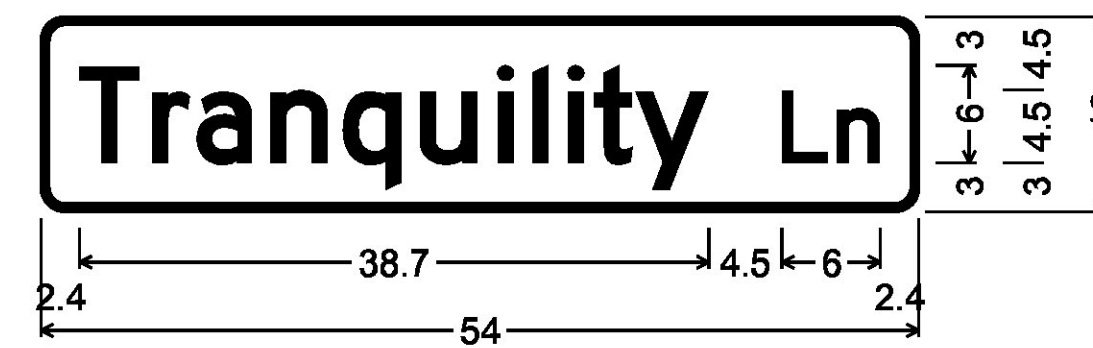
D3-1;  
1.5" Radius, 0.5" Border, White on Green;  
[Leavitt] D 2K; [Cir] D 2K;



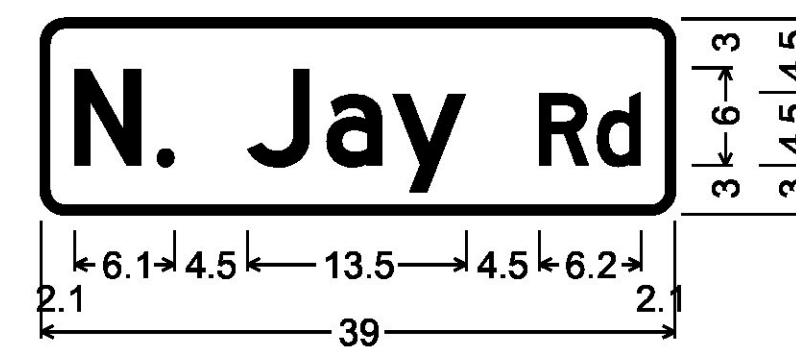
D3-1;  
1.5" Radius, 0.5" Border, White on Green;  
[Camp] D 2K; [Rd] D 2K;



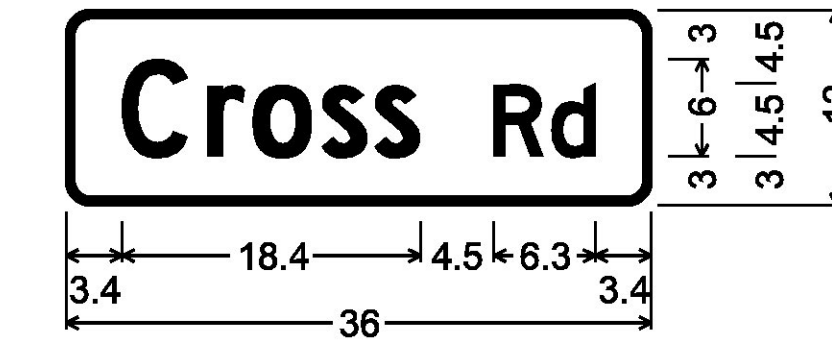
D3-1;  
1.5" Radius, 0.5" Border, White on Green;  
[Morse] D 2K; [Rd] D 2K;



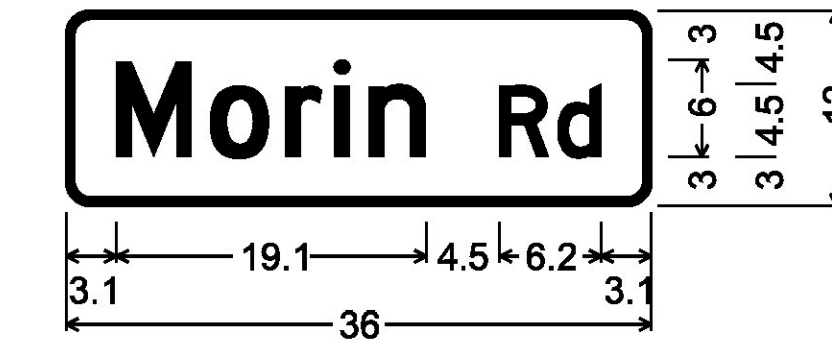
D3-1;  
1.5" Radius, 0.5" Border, White on Green;  
[Tranquility] D 2K; [Ln] D 2K;



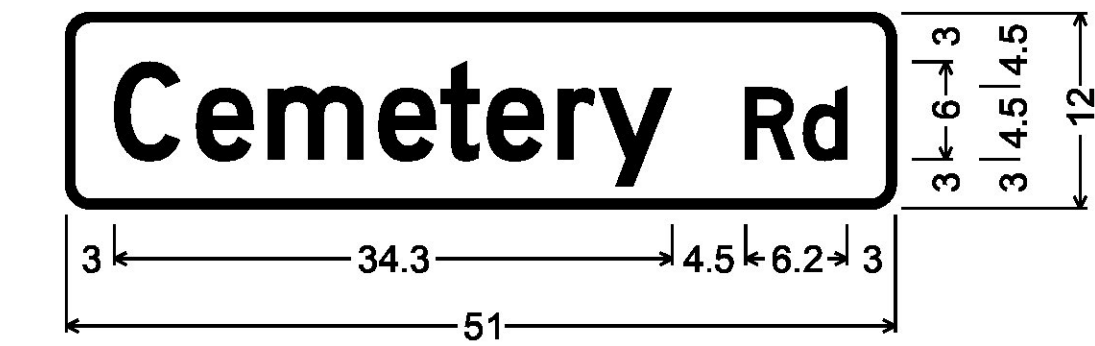
D3-1;  
1.5" Radius, 0.5" Border, White on Green;  
[N. Jay] D 2K; [Rd] D 2K;



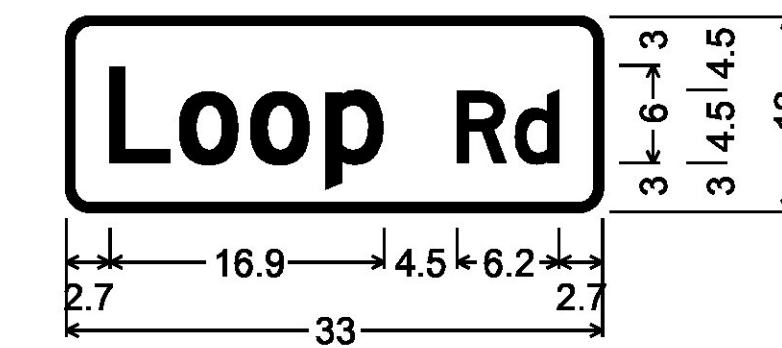
D3-1;  
1.5" Radius, 0.5" Border, White on Green;  
[Cross] D 2K; [Rd] D 2K;



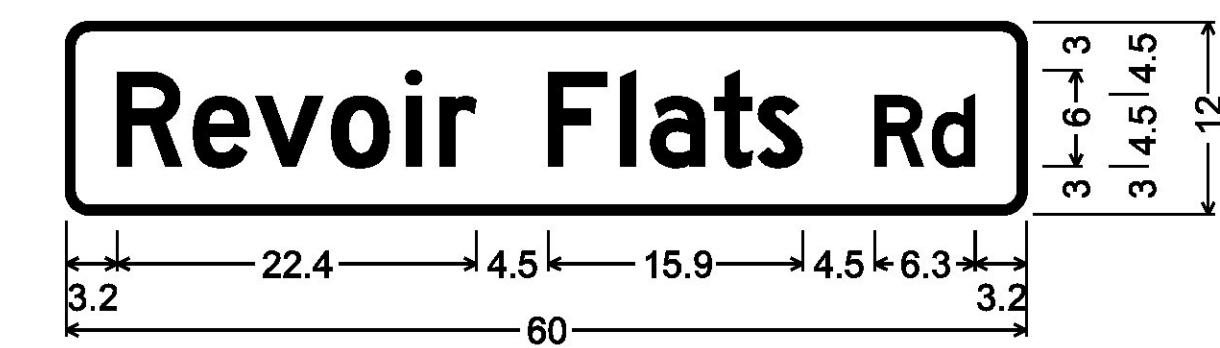
D3-1;  
1.5" Radius, 0.5" Border, White on Green;  
[Morin] D 2K; [Rd] D 2K;



D3-1;  
1.5" Radius, 0.5" Border, White on Green;  
[Cemetery] D 2K; [Rd] D 2K;



D3-1;  
1.5" Radius, 0.5" Border, White on Green;  
[Loop] D 2K; [Rd] D 2K;



D3-1; 1.5" Radius, 0.5" Border, White on Green;  
[Revoir Flats] D 2K; [Rd] D 2K;

**TOWN HIGHWAY SIGNS D3-1**

TOWN HIGHWAY SIGNS SHALL BE DOUBLE SIDED SIGNS AND SHALL BE INSTALLED WITH 12" BRACKETS.

NOT TO SCALE

PROJECT NAME: JAY-TROY	PLOT DATE: 5/16/2014
PROJECT NUMBER: STP 2915(I)	DRAWN BY: S. GOODWIN
FILE NAME: z10b232tsdet.dgn	CHECKED BY: P. SHEDD
PROJECT LEADER: P. SHEDD	SHEET 112 OF 244
DESIGNED BY: N. LEMAY	
TRAFFIC SIGN DETAIL SHEET 2	