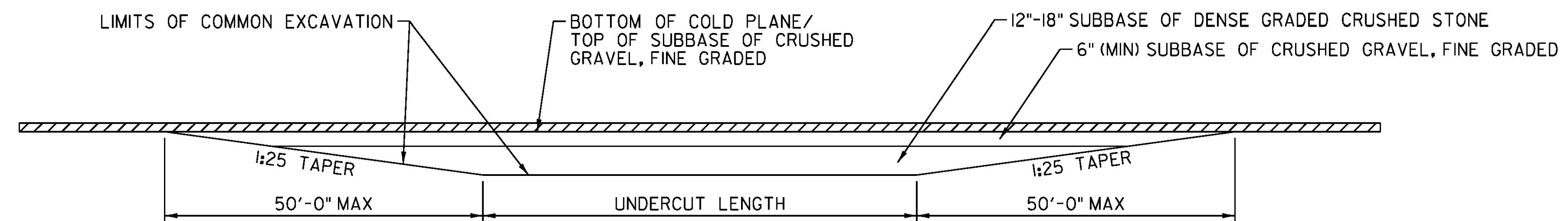


**UNSUITABLE SUBBASE MATERIAL UNDERCUT DETAIL**



**UNSUITABLE SUBBASE MATERIAL DETAIL**

UNSUITABLE SUBBASE MATERIAL NOTES

1. UNDERCUT CANDIDATE AREAS ENCOUNTERED DURING CONSTRUCTION SHALL BE REVIEWED AND APPROVED BY THE VTRANS CONSTRUCTION PAVING ENGINEER PRIOR TO TREATMENT.
2. ALL UNDERCUTS SHALL BE FULL WIDTH.

NOT TO SCALE

PROJECT NAME:	JAY-TROY	PLOT DATE:	5/16/2014
PROJECT NUMBER:	STP 2915(I)	DRAWN BY:	W. GORDON
FILE NAME:	z10b232typ.dgn	CHECKED BY:	P. SHEDD
PROJECT LEADER:	P. SHEDD	DESIGNED BY:	N. LEMAY
DETAIL SHEET 2		SHEET	16 OF 244