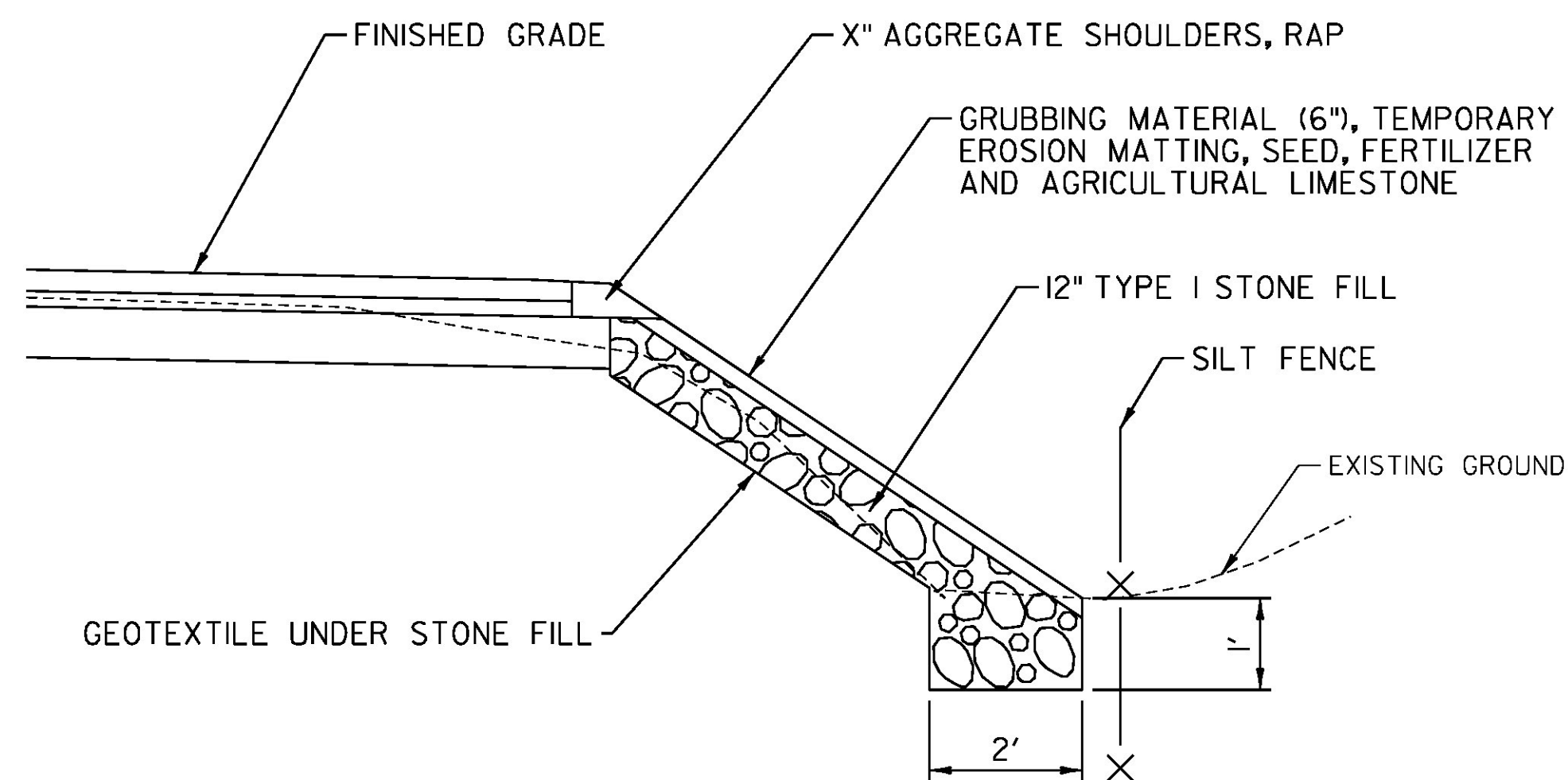


FILL SLOPE DETAIL
(FOR SLOPES 1:1.5 OR FLATTER)

FILL SLOPE NOTE

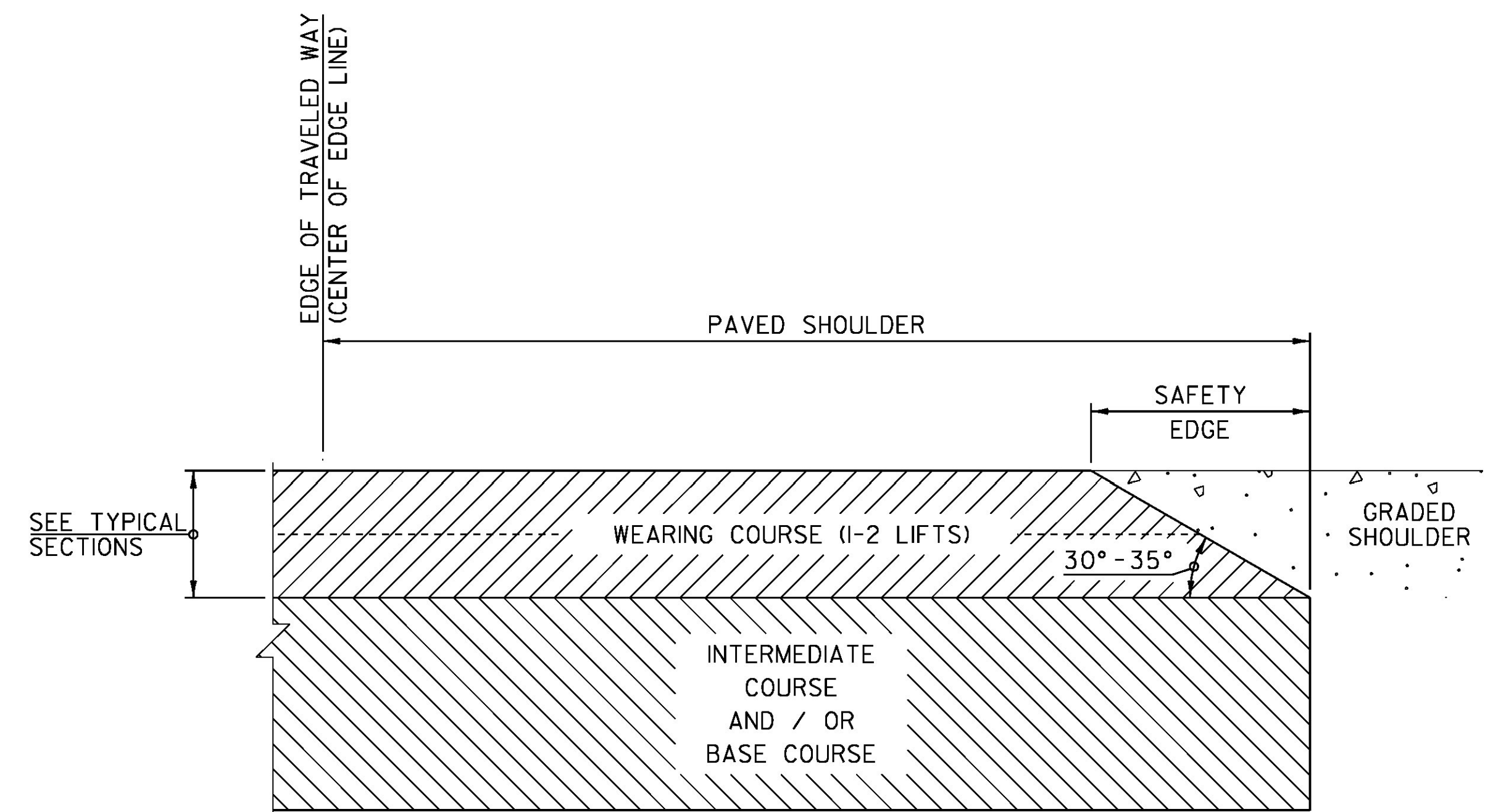
IF DUE TO GROWING SEASON TIME CONSTRAINTS IT IS DEEMED NECESSARY BY THE CONSTRUCTION ENVIRONMENTAL ENGINEER THAT A MORE RAPID VEGETATION ESTABLISHMENT IS REQUIRED, PLACEMENT OF 2" OF GRUBBING MATERIAL SHALL BE PLACED ON THE SLOPE PRIOR TO PLACEMENT OF SEED, FERTILIZER, TEMPORARY EROSION MATTING, AND AGRICULTURAL LIMESTONE. PLACEMENT OF THE GRUBBING MATERIAL WILL BE PAID FOR AT THE CONTRACT UNIT PRICE PER SQUARE YARD OF ITEM 651.40 GRUBBING MATERIAL (2").



FILL SLOPE WITH STONE FILL DETAIL

FILL SLOPE WITH STONE FILL NOTES

1. STONE FILL TO BE PLACED ON SLOPES STEEPER THAN 1:1.5
2. ANY EXCAVATION REQUIRED TO INSTALL STONE FILL SHALL BE PAID FOR UNDER ITEM 608.25 "ALL PURPOSE EXCAVATOR RENTAL, TYPE I".



SAFETY EDGE DETAIL

SAFETY EDGE NOTES

1. LEVELING COURSE MAY INCLUDE THE "SAFETY EDGE" AT THE CONTRACTOR'S CHOICE.
2. THE EDGE OF PAVEMENT SHALL BE FORMED IN SUCH A WAY THAT THE BITUMINOUS CONCRETE PAVEMENT IS EXTRUDED OR COMPRESSED TO FORM THE 30 TO 35 DEGREE ANGLE. DEVICES THAT SIMPLY STRIKE-OFF THE MIX WITHOUT PROVIDING ANY COMPACTIVE EFFORT WILL NOT BE ALLOWED.
3. TO PAVED SHOULDER EXTENDS FROM THE EDGE OF TRAVELED WAY TO THE EDGE OF THE WEARING COURSE, INCLUDED THE "SAFETY EDGE".

NOT TO SCALE

| | |
|-----------------|----------------|
| PROJECT NAME: | JAY-TROY |
| PROJECT NUMBER: | STP 2915(I) |
| FILE NAME: | z10b232typ.dgn |
| PROJECT LEADER: | P. SHEDD |
| DESIGNED BY: | N. LEMAY |
| DETAIL SHEET: | 1 |
| PLOT DATE: | 5/16/2014 |
| DRAWN BY: | W. GORDON |
| CHECKED BY: | P. SHEDD |
| SHEET: | 15 OF 244 |