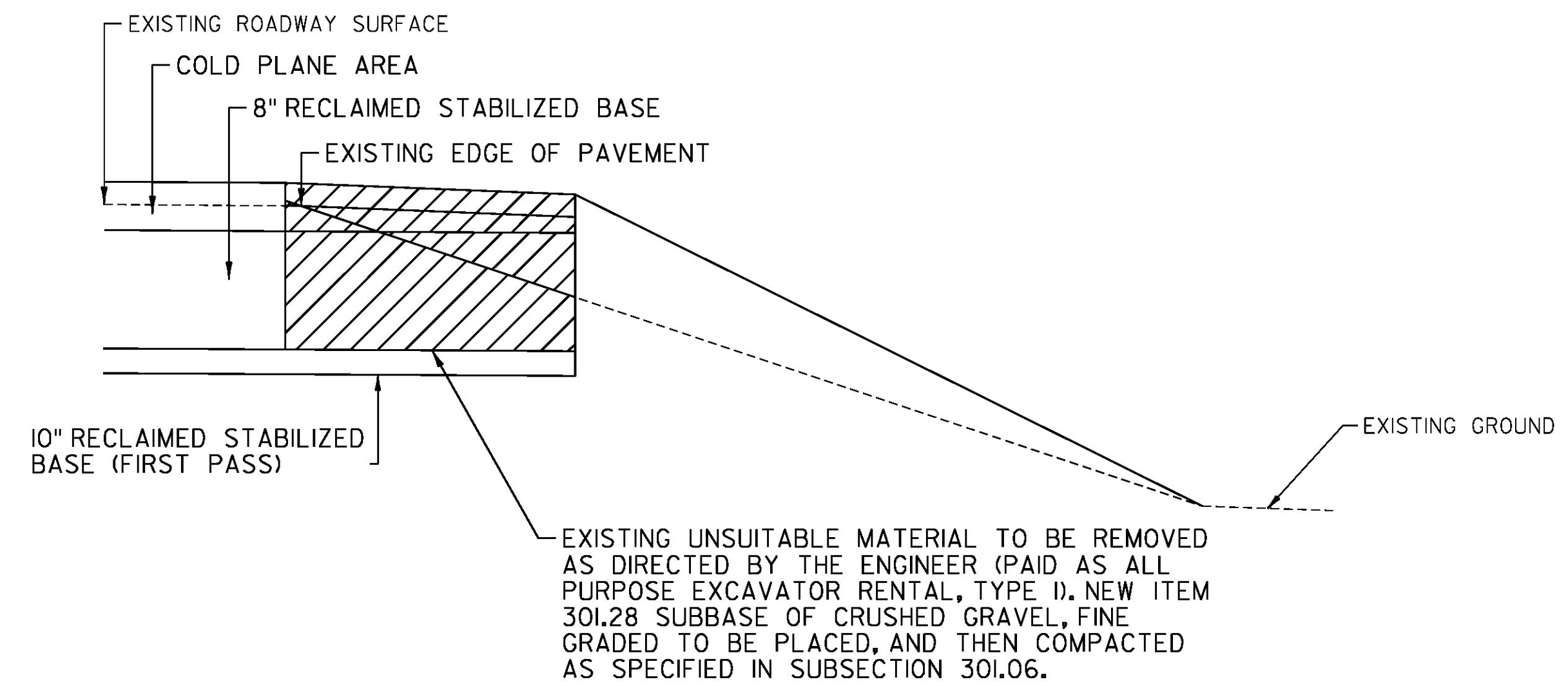


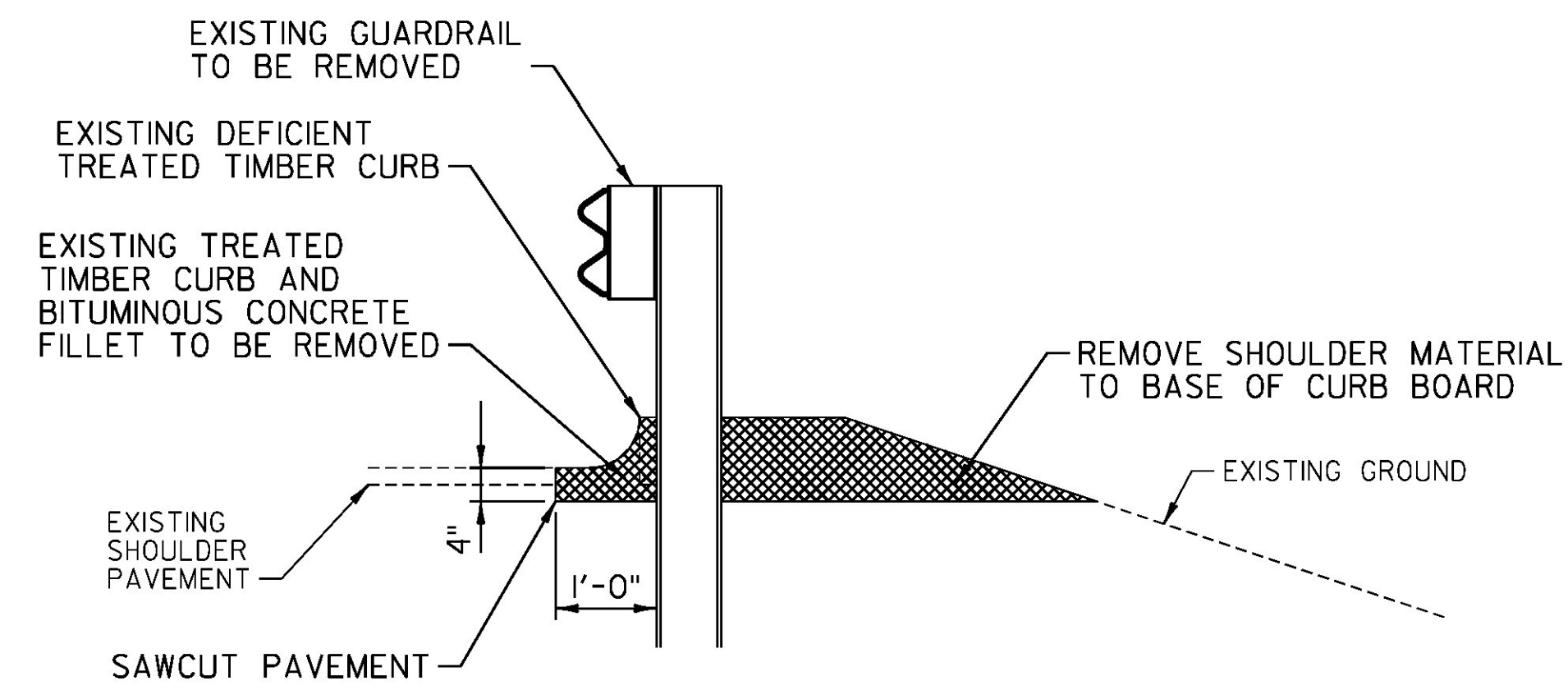
SUPERPAVE BITUMINOUS CONCRETE PAVEMENT, TYPE IVS PLACED IN (2) 2" LIFTS

TOWN HIGHWAY TRANSITION DETAIL AT COLD PLANE AND RECLAIM AREAS

LOCATION
TH 21 - 277+93 (LEAVITT CIRCLE)
TH 21 - 285+65 (LEAVITT CIRCLE)
TH 12 - 317+32 (MORSE RD)
TH 44 - 348+79 (TRANQUILITY LANE)
TH 3 - 370+30 (NORTH JAY RD)
TH 1 - 370+39 (CROSS RD)
TH 46 - 383+92 (MORIN RD)
TH 29 - 404+70 (CEMETERY RD)
TH 16 - 413+31 (LOOP RD)
TH 4 - 413+55 (REVOIR FLATS)
TH 30 - 441+50 (LOOP RD)

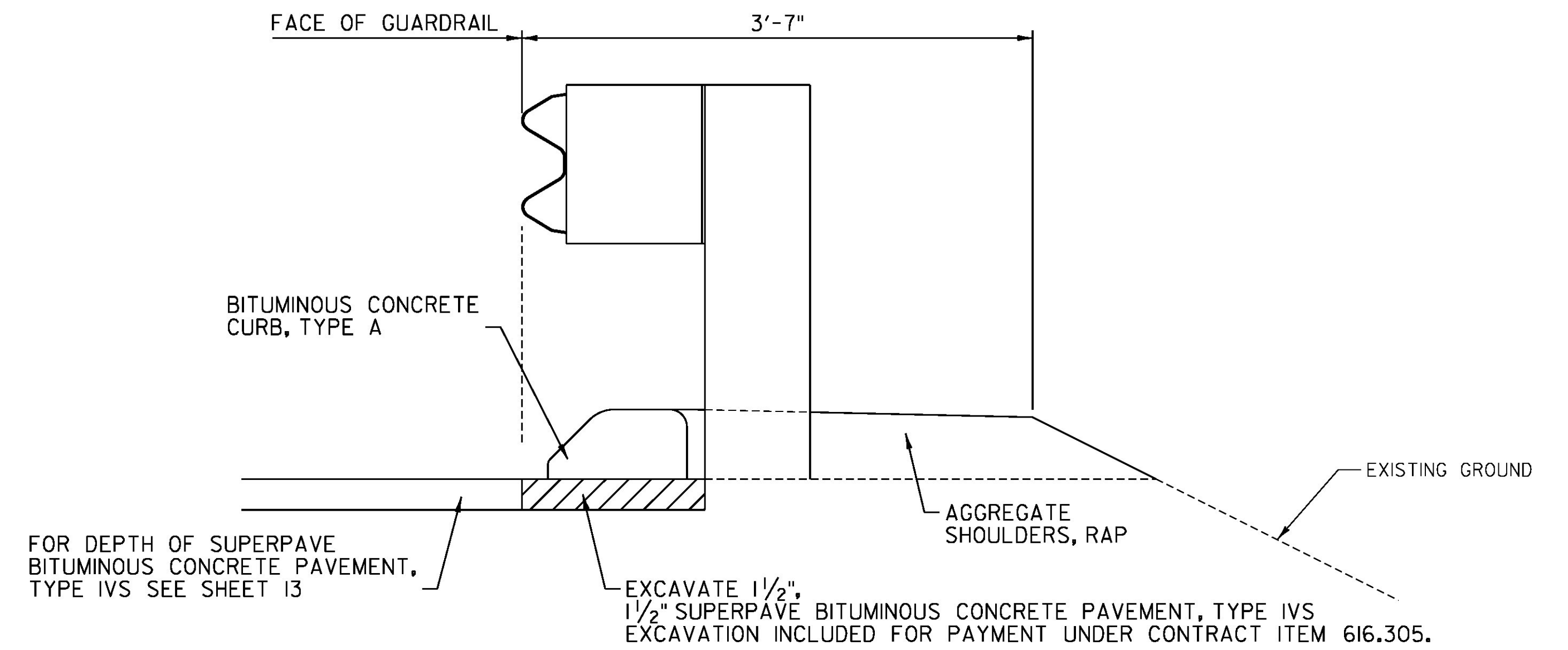


EXISTING SHOULDER RECONSTRUCTION DETAIL



TREATED TIMBER CURB REMOVAL

TREATED TIMBER CURB REMOVAL NOTE
 THE REMOVAL OF ALL TREATED TIMBER CURBING, INCLUDING THE BITUMINOUS CONCRETE FILLET, AND ANY SAWCUTTING, FROM INSTALLATIONS WHERE EXISTING GUARDRAIL IS REMOVED WILL NOT BE PAID FOR DIRECTLY, BUT WILL BE CONSIDERED INCIDENTAL TO ITEM 621.80 REMOVAL AND DISPOSAL OF GUARDRAIL.



BITUMINOUS CONCRETE CURB, TYPE A DETAIL

NOT TO SCALE

PROJECT NAME: JAY-TROY	PLOT DATE: 5/16/2014
PROJECT NUMBER: STP 2915(I)	DRAWN BY: W. GORDON
FILE NAME: z10b232+yp.dgn	DESIGNED BY: N. LEMAY
PROJECT LEADER: P. SHEDD	CHECKED BY: P. SHEDD
TYPICAL SECTIONS SHEET 3	SHEET 14 OF 244