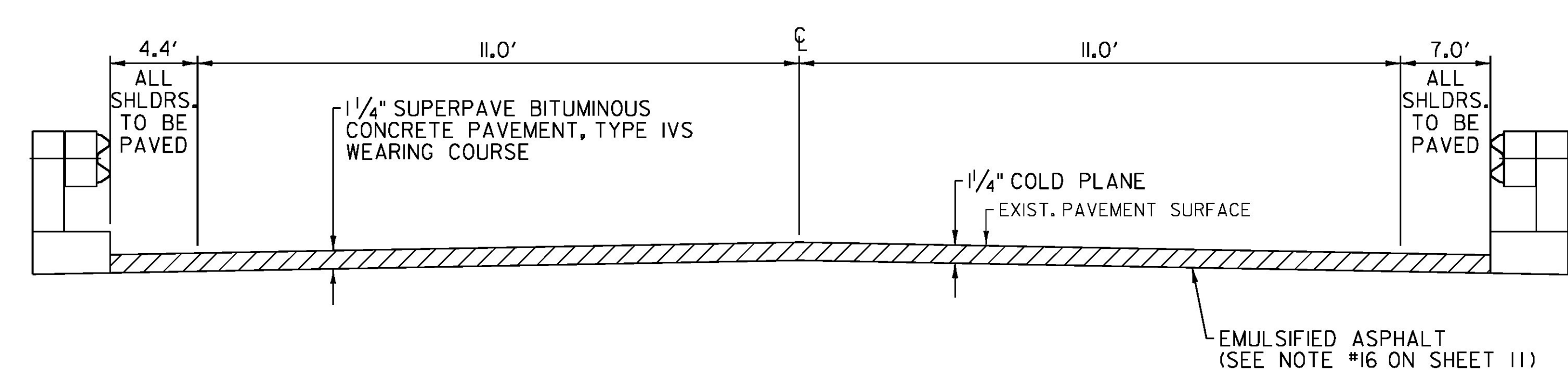


**MATERIAL TRANSITION DIAGRAM**



**COLD PLANE AND OVERLAY TYPICAL BRIDGE SECTION**

JAY - 168+55 - 168+75

NOT TO SCALE

PROJECT NAME:	JAY-TROY
PROJECT NUMBER:	STP 2915(1)
FILE NAME:	z10b232typ.dgn
PROJECT LEADER:	P. SHEDD
DESIGNED BY:	N. LEMAY
TYPICAL SECTIONS SHEET 1	
PLOT DATE:	5/16/2014
DRAWN BY:	W. GORDON
CHECKED BY:	P. SHEDD
SHEET	12 OF 244