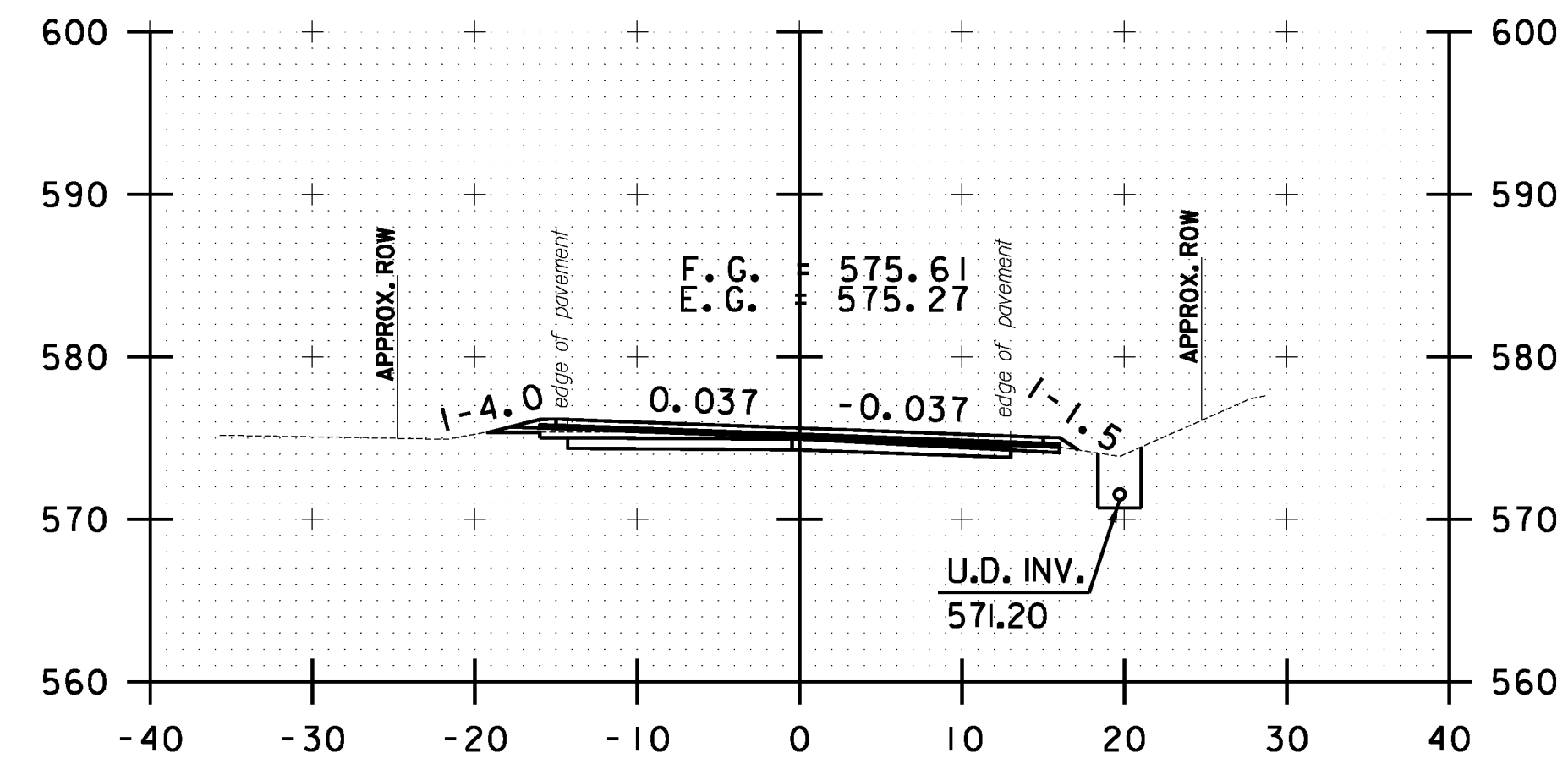
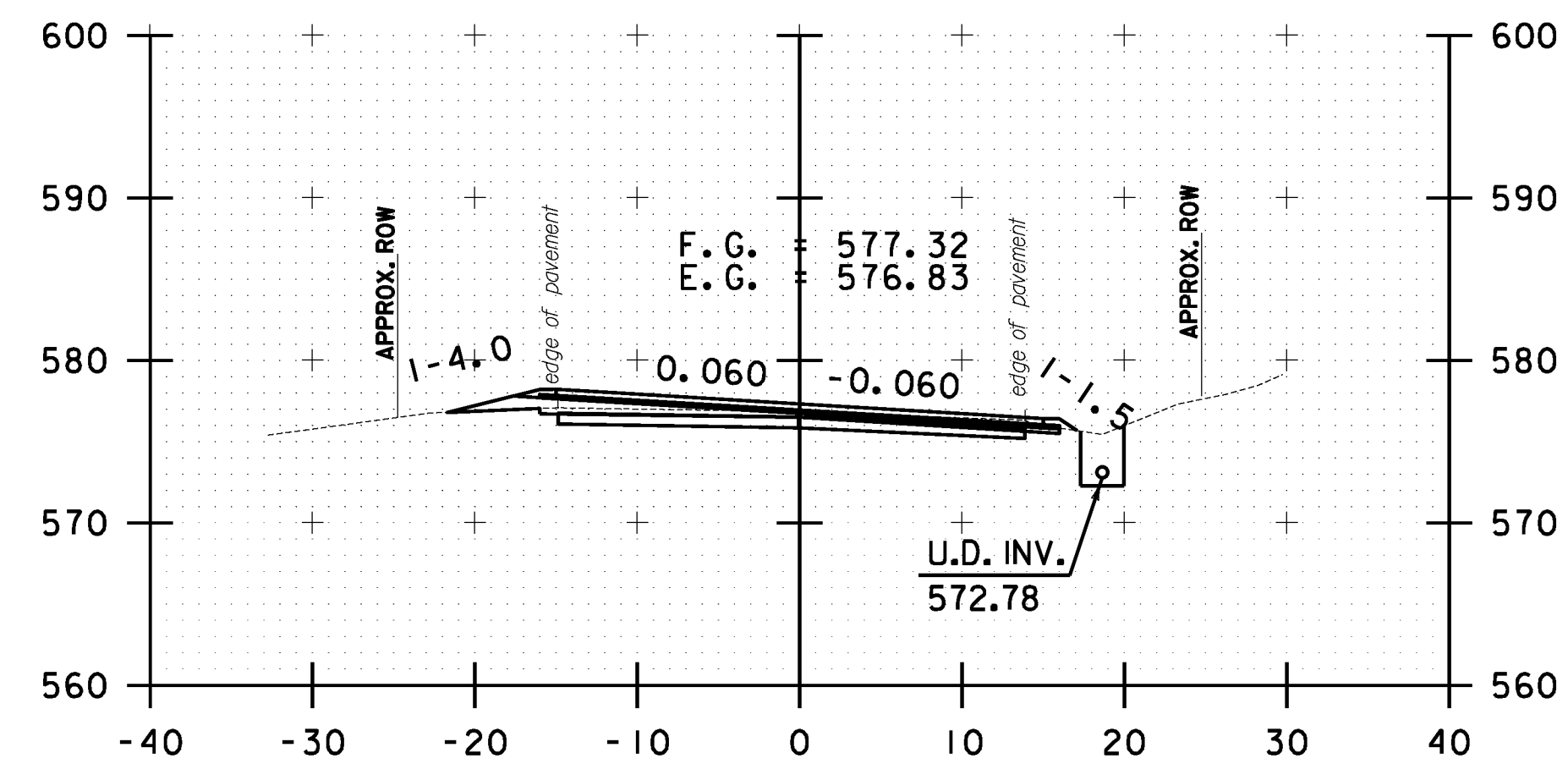


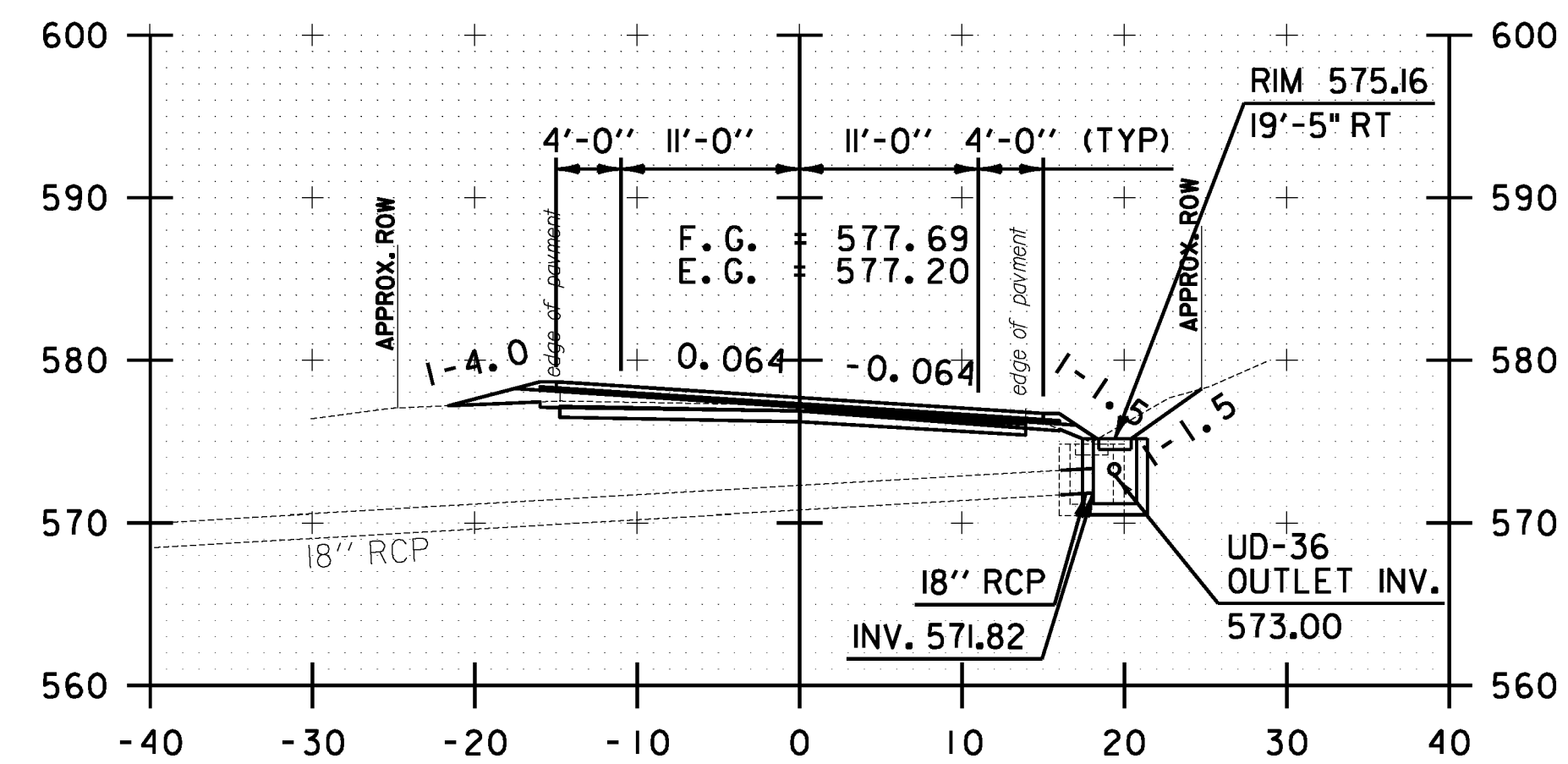
FILE NAME = Y:\P\c\res\any\k2\22425\CA001\MSTN\10b214.bethel.xc.dgn  
 DATE/TIME = 3/17/2014  
 USER = 4916



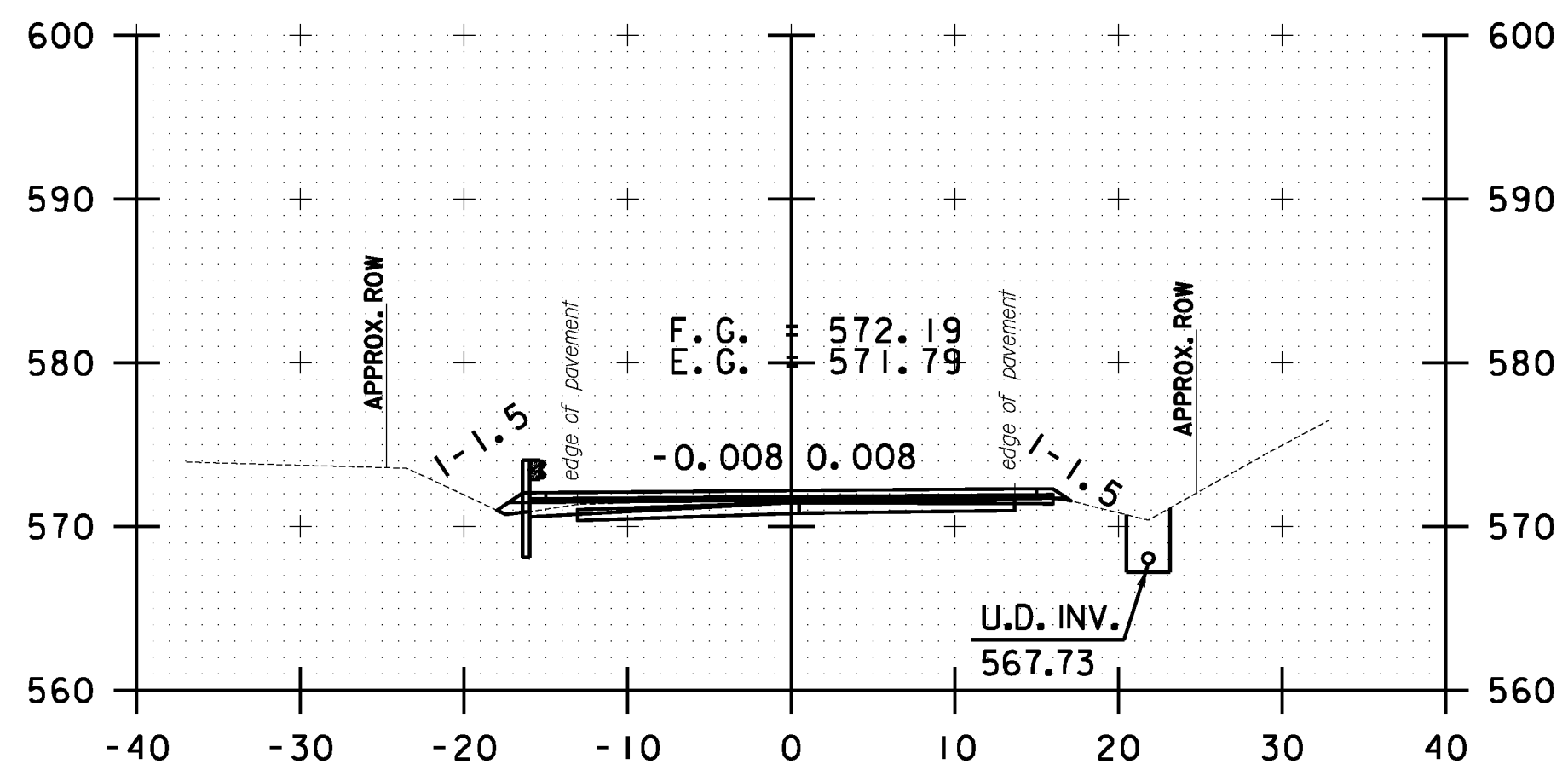
B 137+50.00



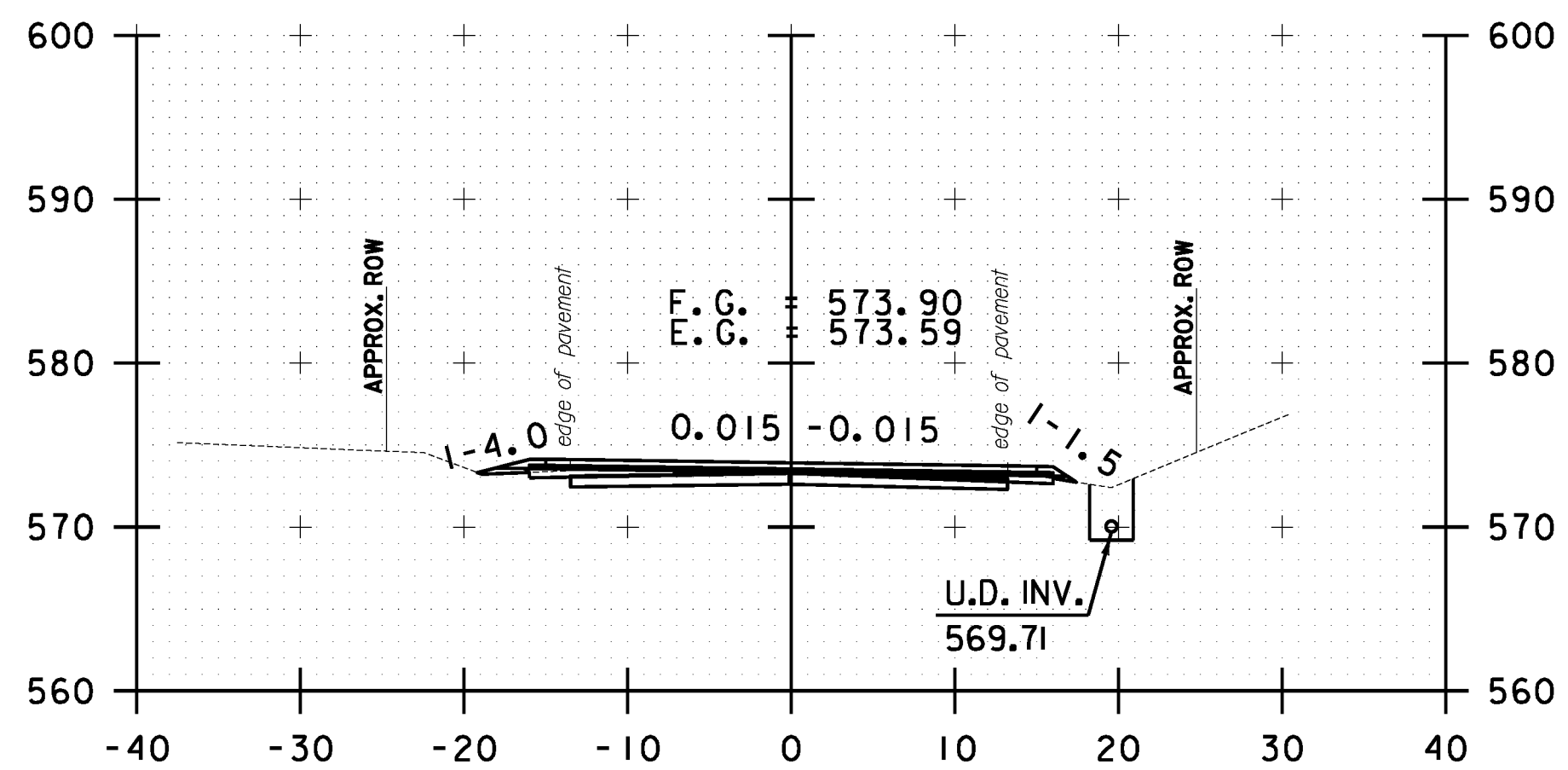
B 137+00.00



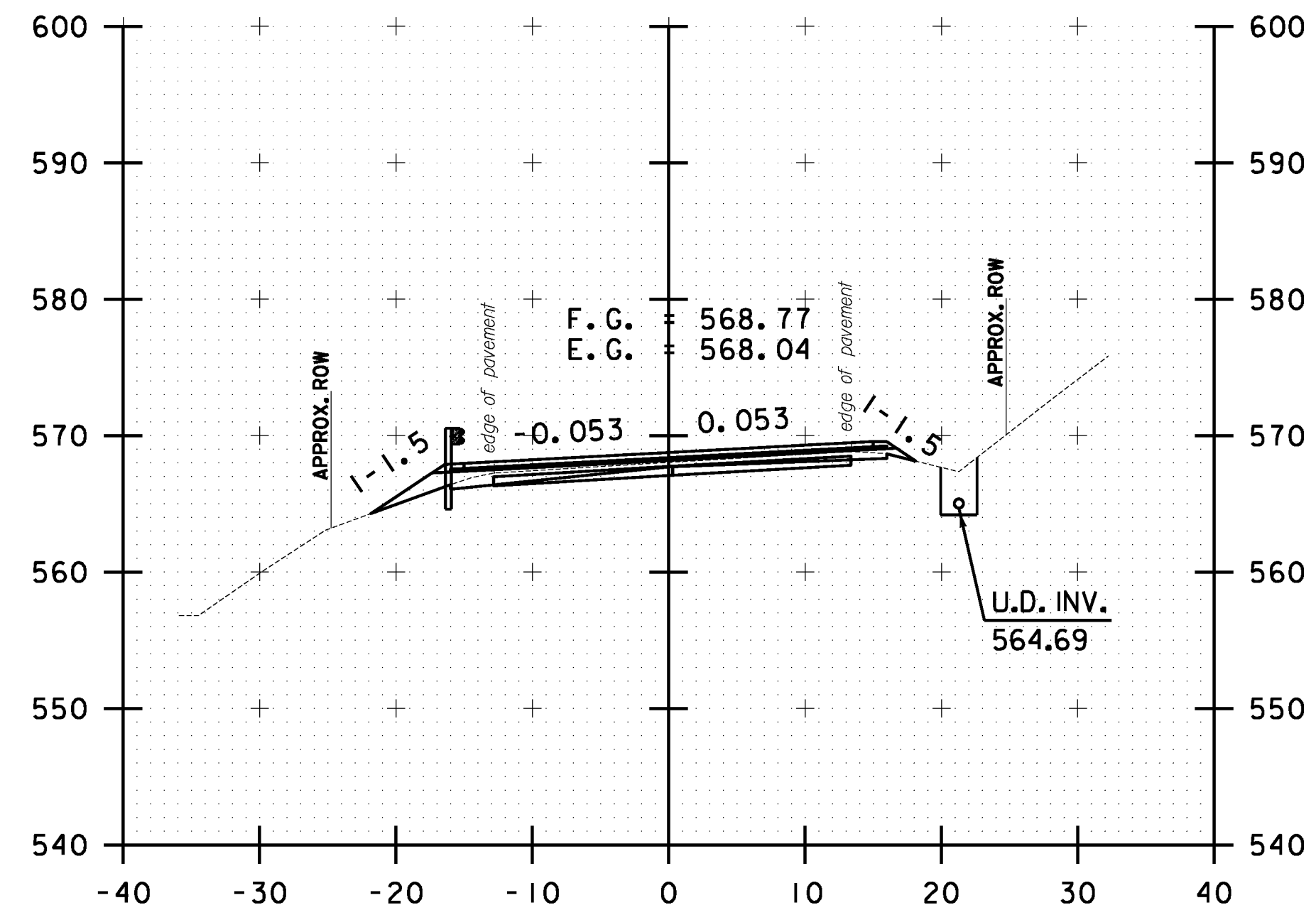
B 136+89.20



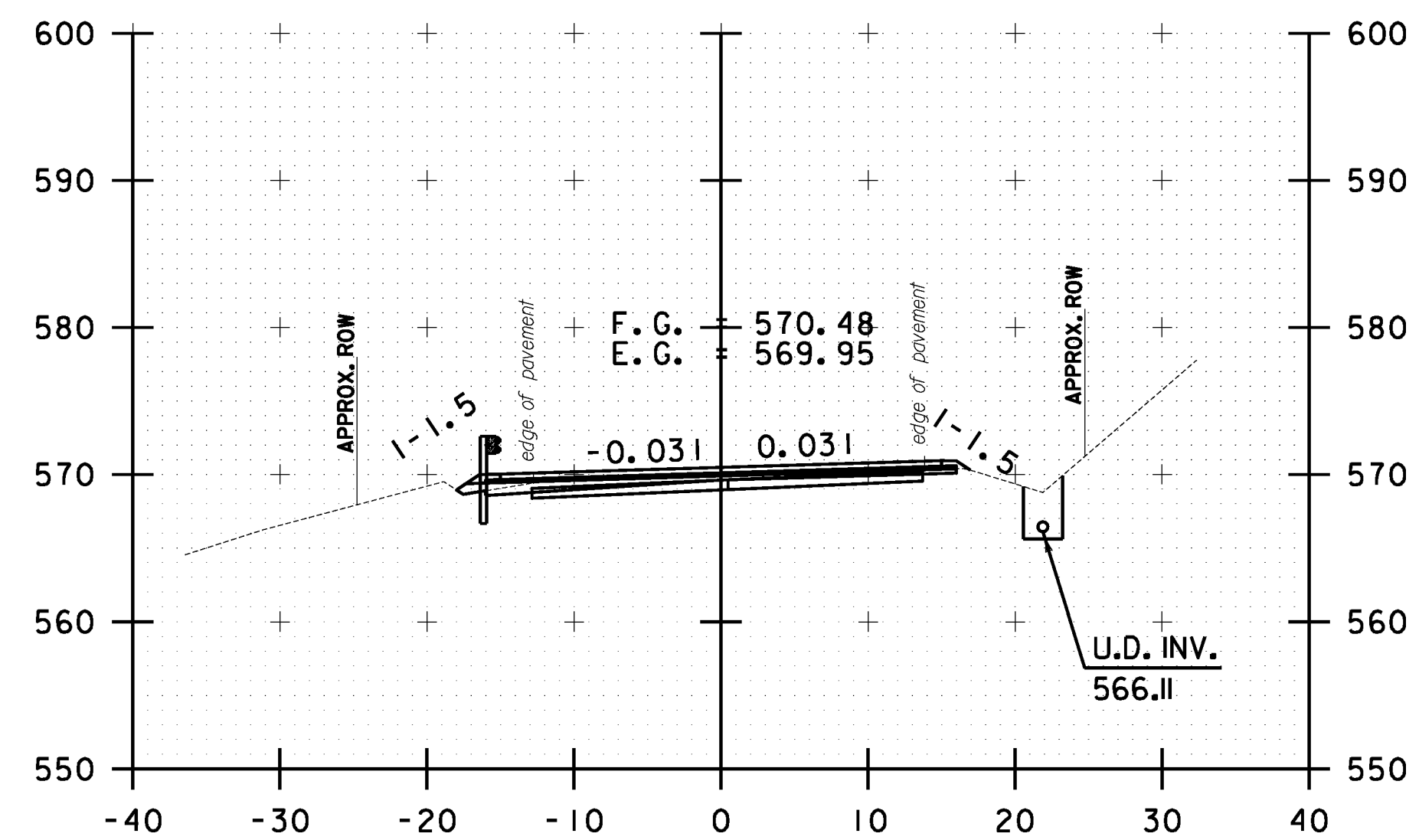
B 138+50.00



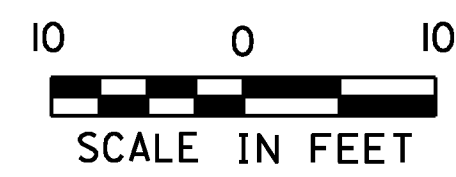
B 138+00.00



B 139+50.00



B 139+00.00



<b>BETHEL CROSS SECTION SHEET #45</b>	PROJECT NAME: STOCKBRIDGE-BETHEL
	PROJECT NUMBER: STP 2910(I)
	FILE NAME: z10b214.bethel.xc.dgn
	IPARM FILE: z10b214xsl57.1
	PLOT DATE: 3/17/2014
	DRAWN BY: W.G.P.
	CHECKED BY: J.P.S.
	SHEET 370 OF 397