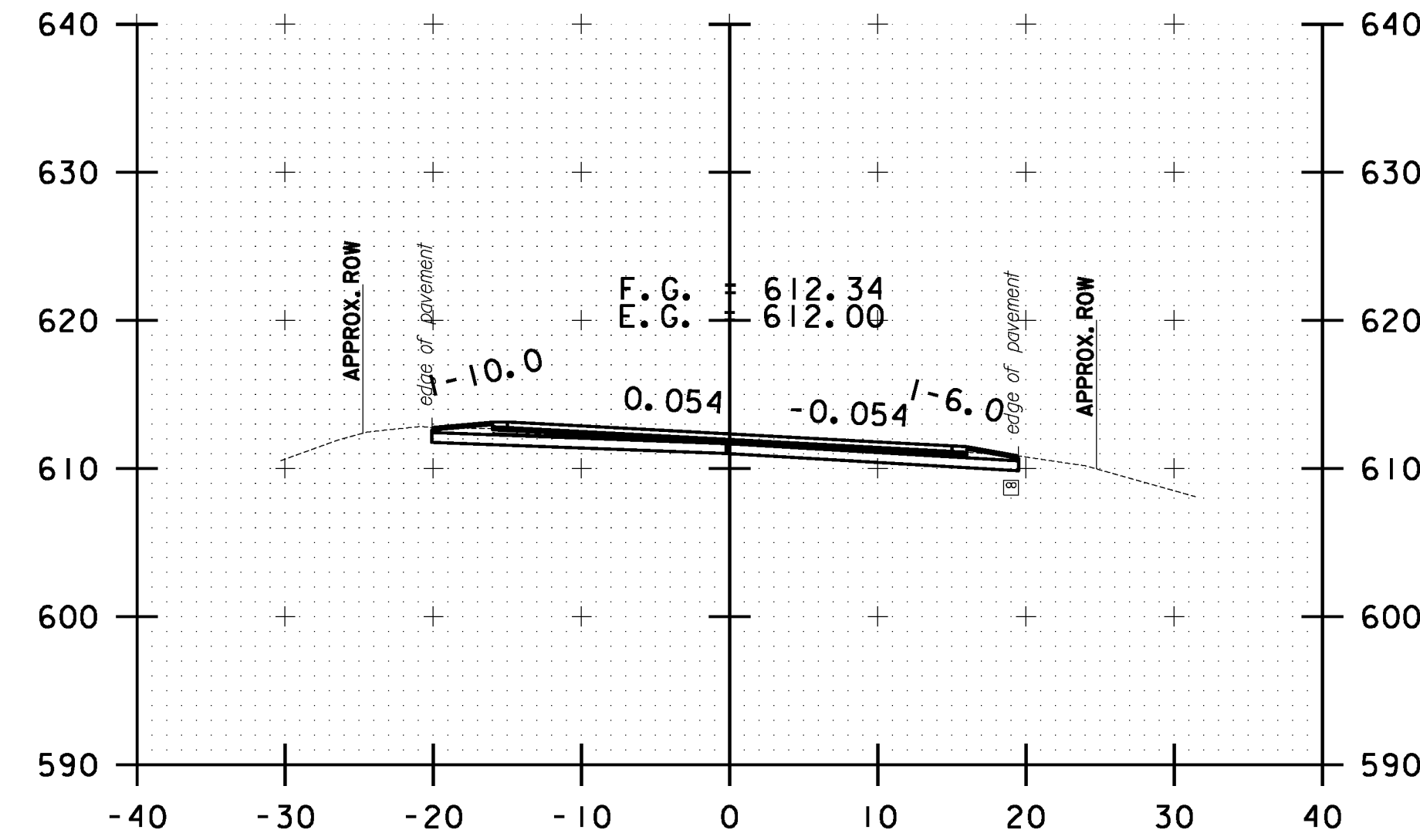
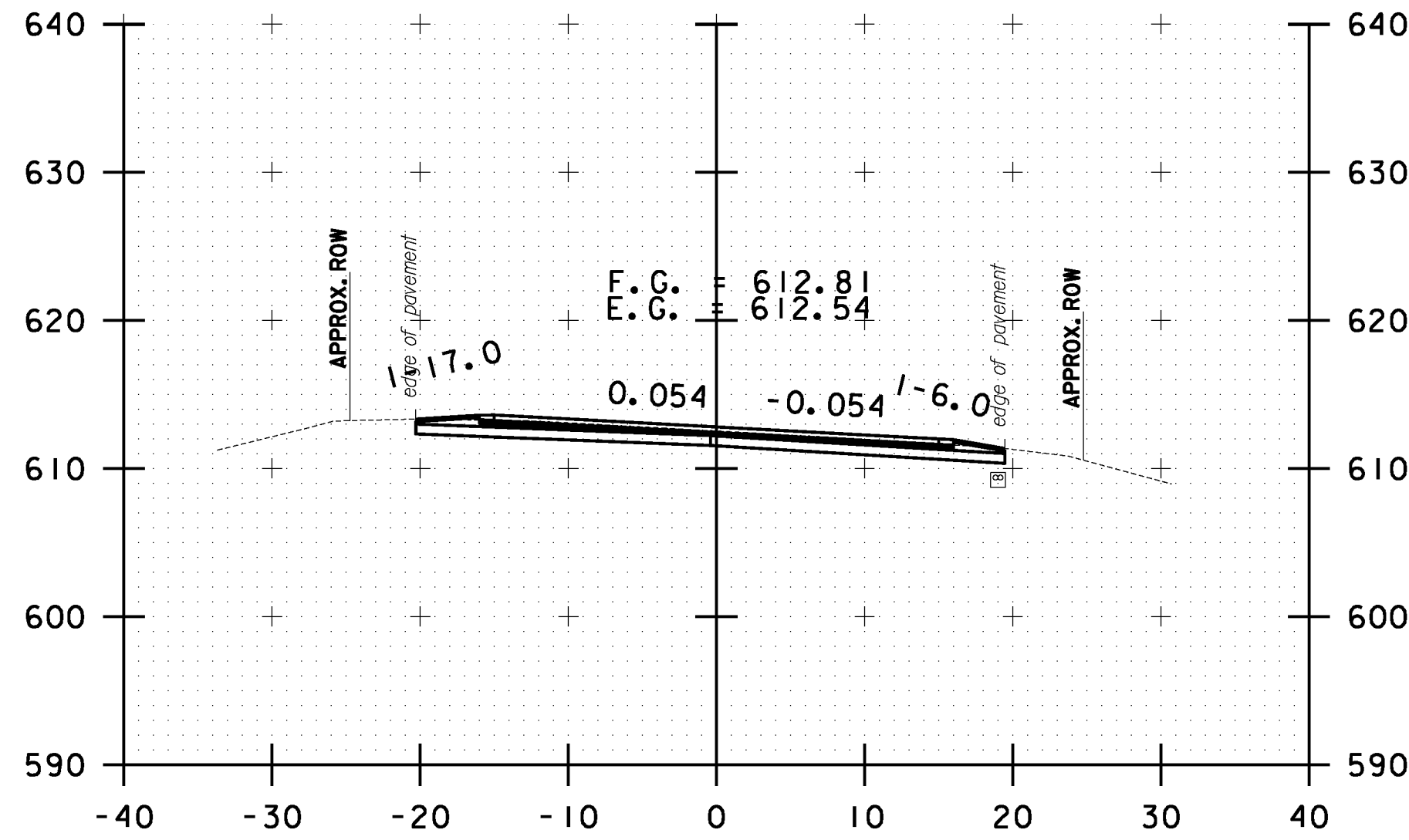


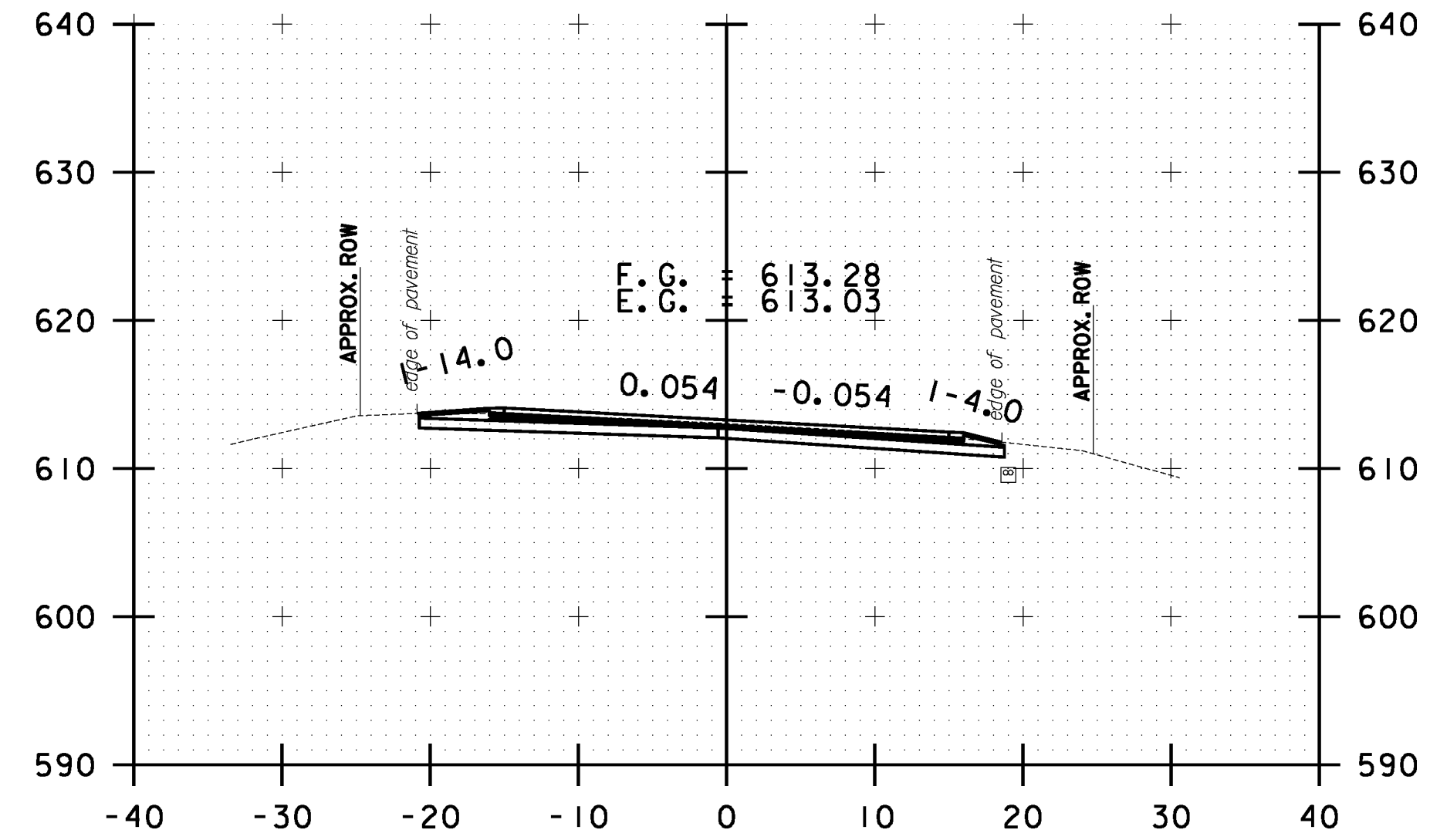
FILE NAME = V:\P\c\res\any\k2\22425\CADD\MSTN\10b214.bethel.xc.dgn
 DATE/TIME = 3/17/2014
 USER = 4916



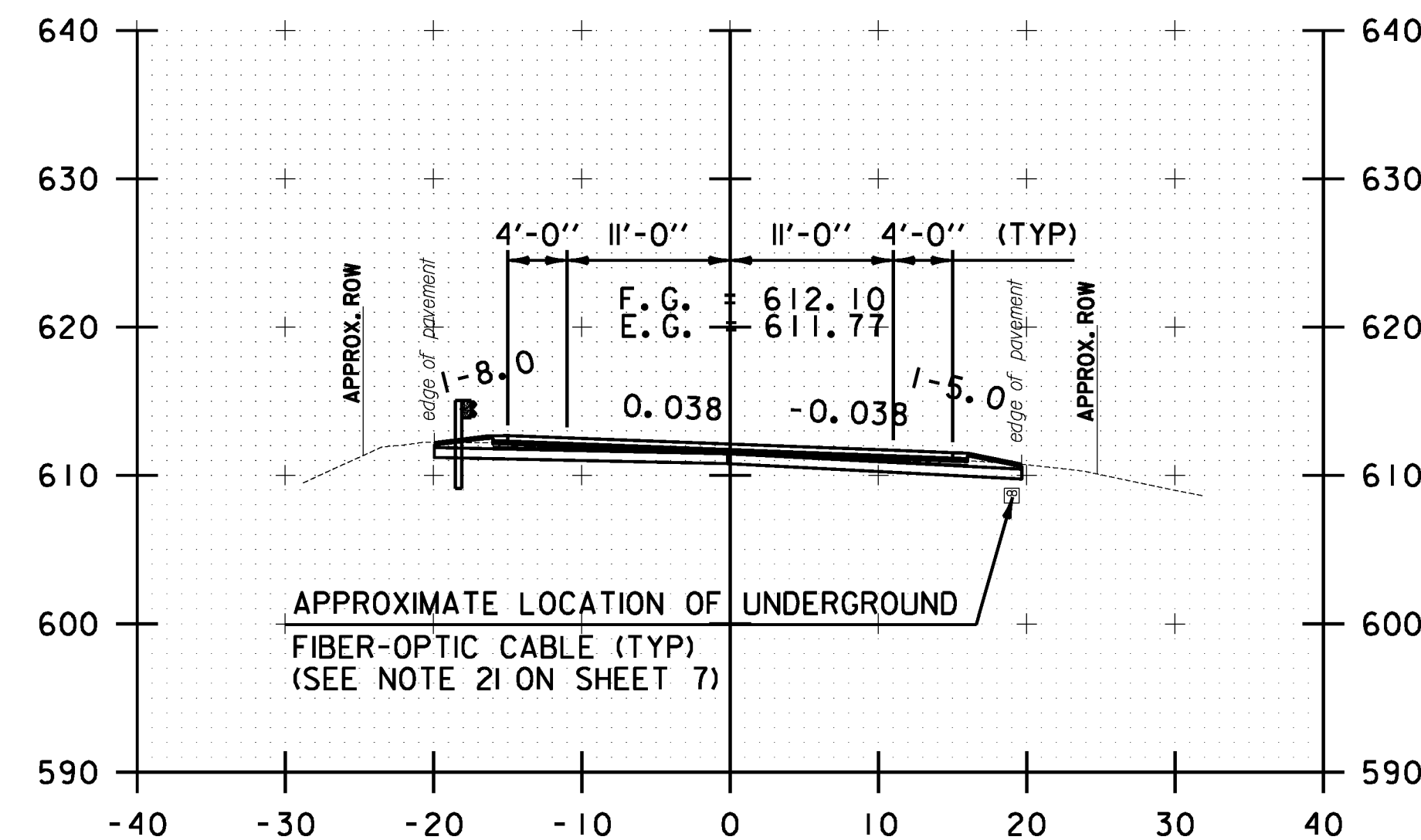
B 57+50.00



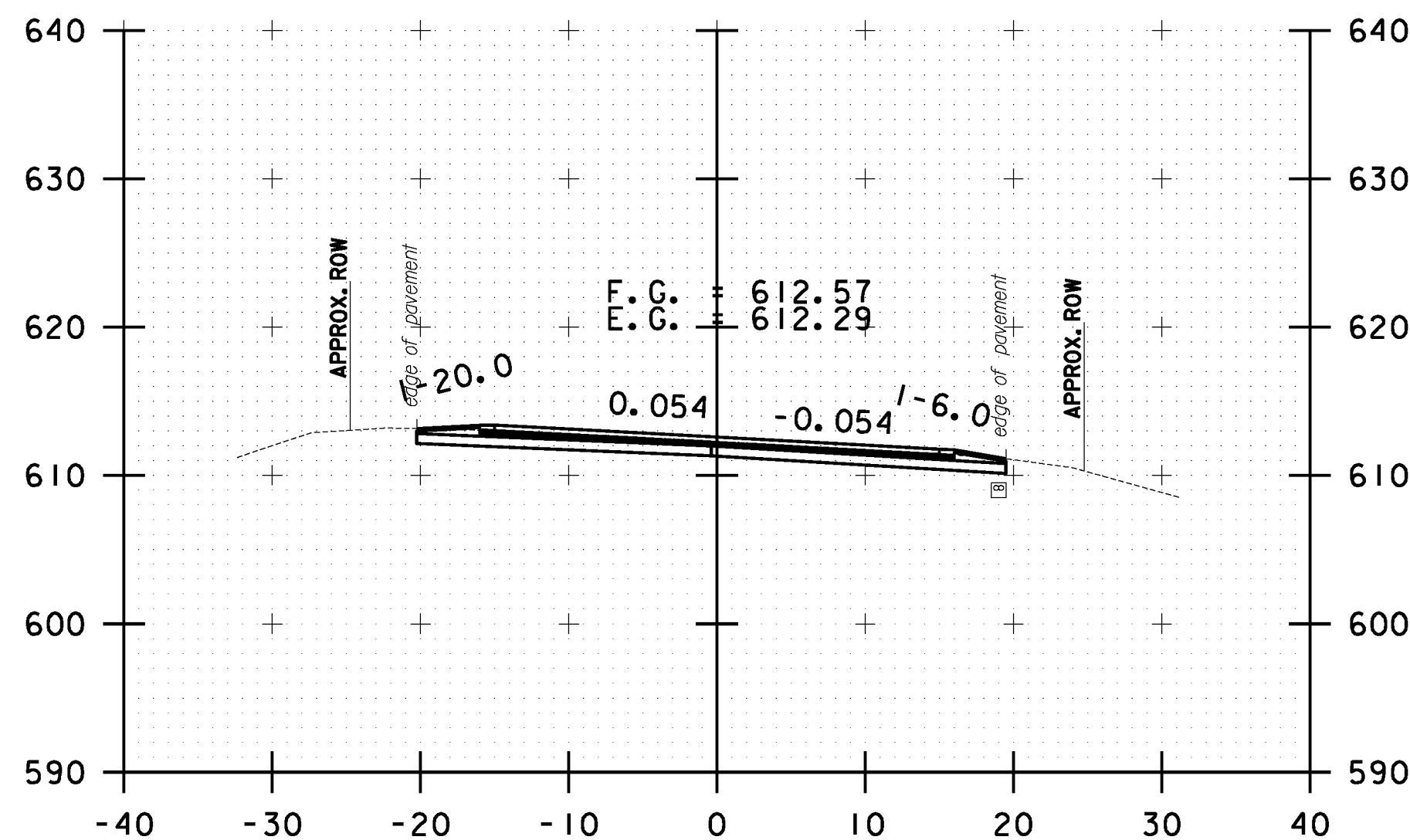
B 58+50.00



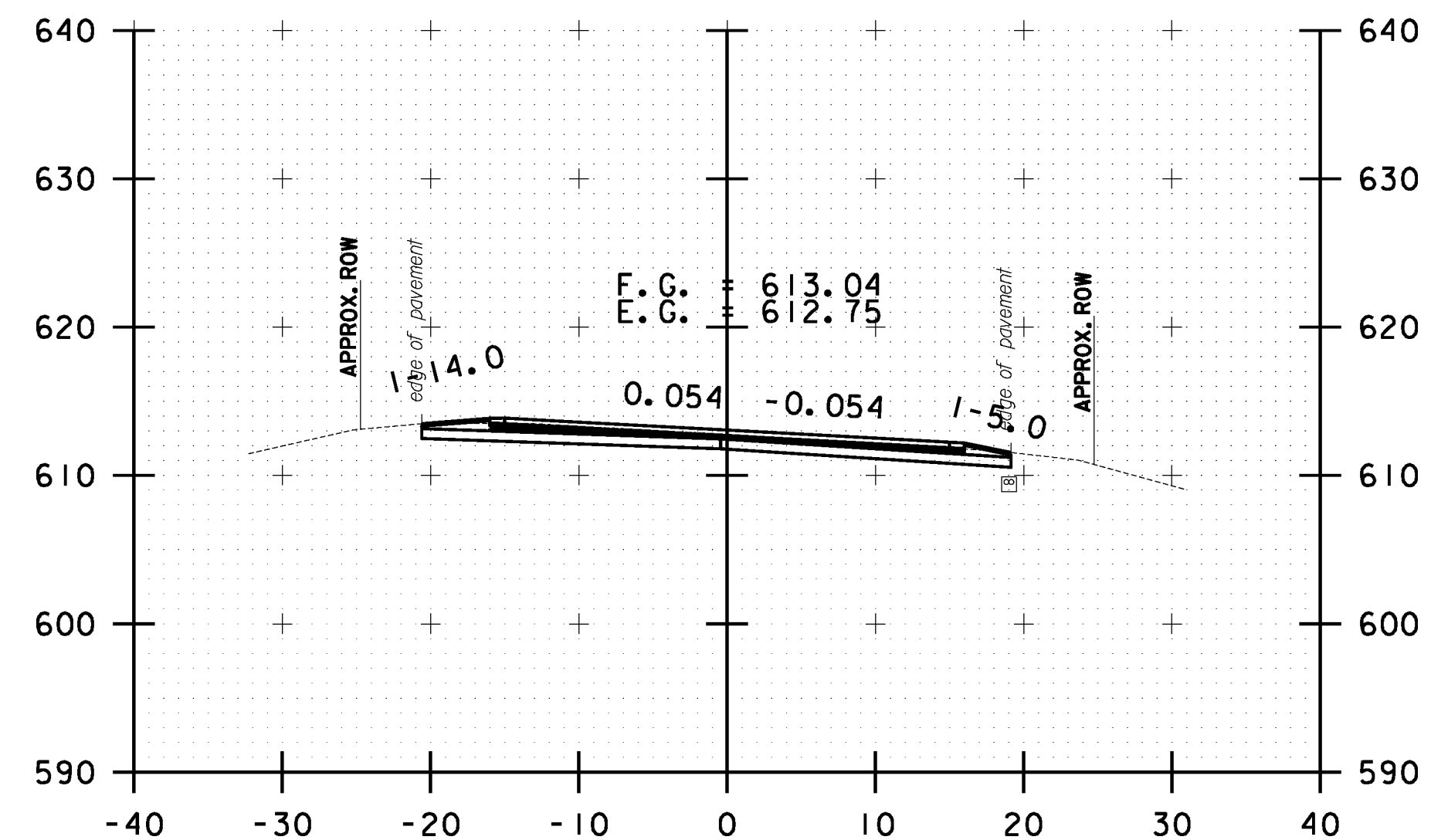
B 59+50.00



B 57+00.00



B 58+00.00



B 59+00.00



BETHEL CROSS SECTION SHEET #20	PROJECT NAME: STOCKBRIDGE-BETHEL
	PROJECT NUMBER: STP 2910(1)
	FILE NAME: z10b214.bethel.xc.dgn
	DESIGNED BY: L.M.B.
	PLOT DATE: 3/17/2014
	DRAWN BY: W.G.P.
	CHECKED BY: J.P.S.
	SHEET 345 OF 397