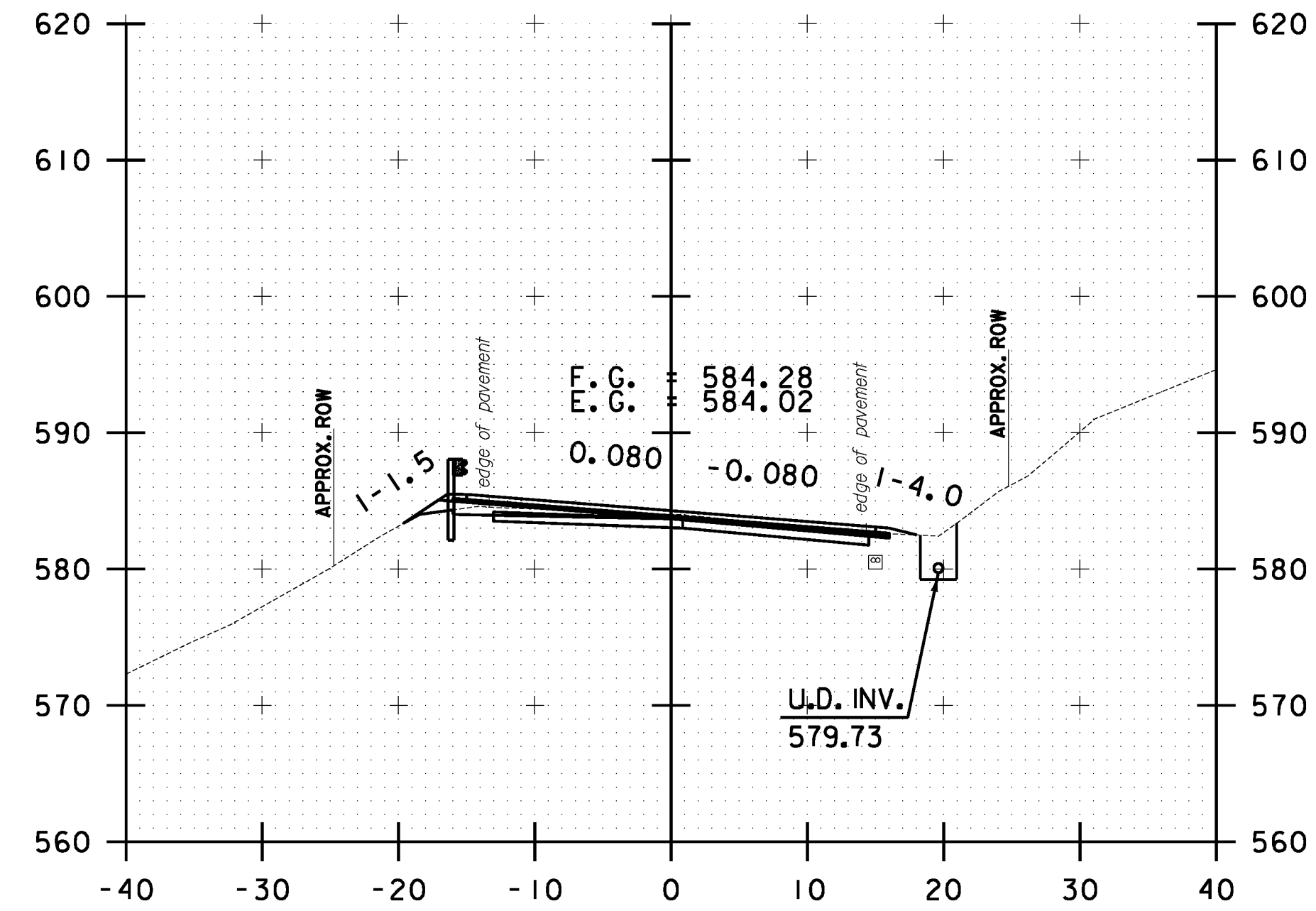
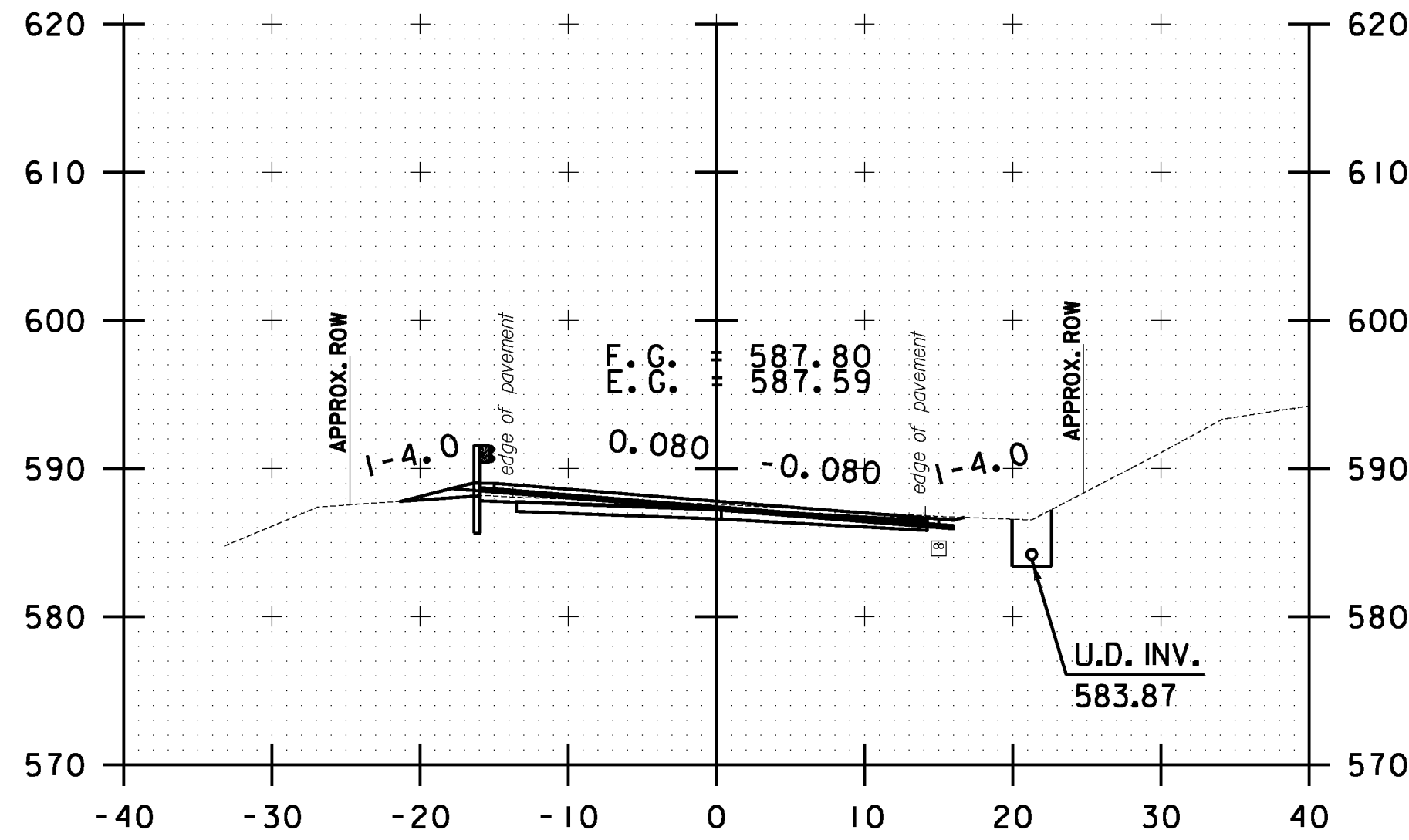


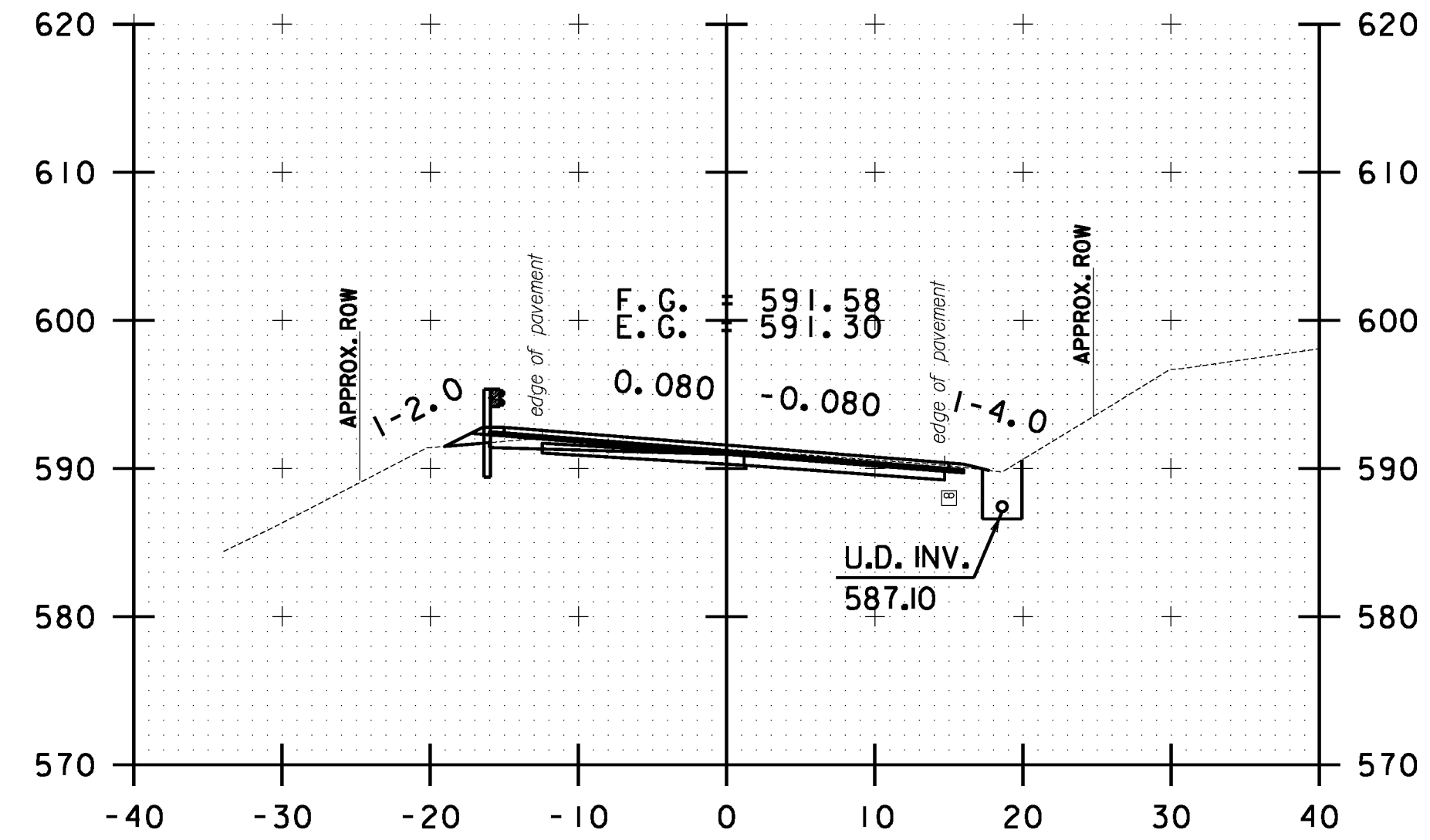
FILE NAME = Y:\P\c\res\any\k2\22425\CADD\MSTN\10b214.bethel.xc.dgn  
 DATE/TIME = 3/17/2014  
 USER = 4916



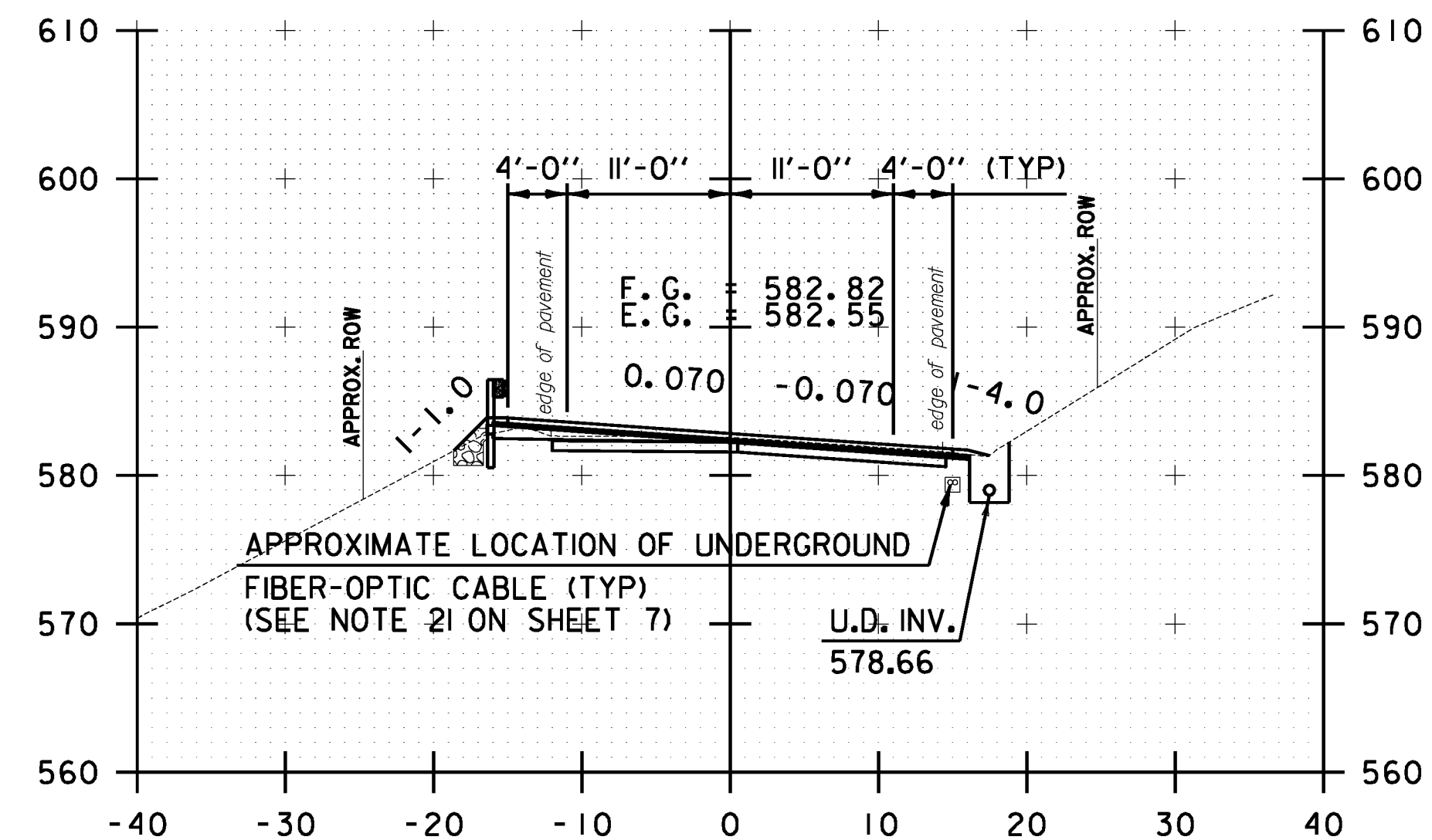
B 31+00.00



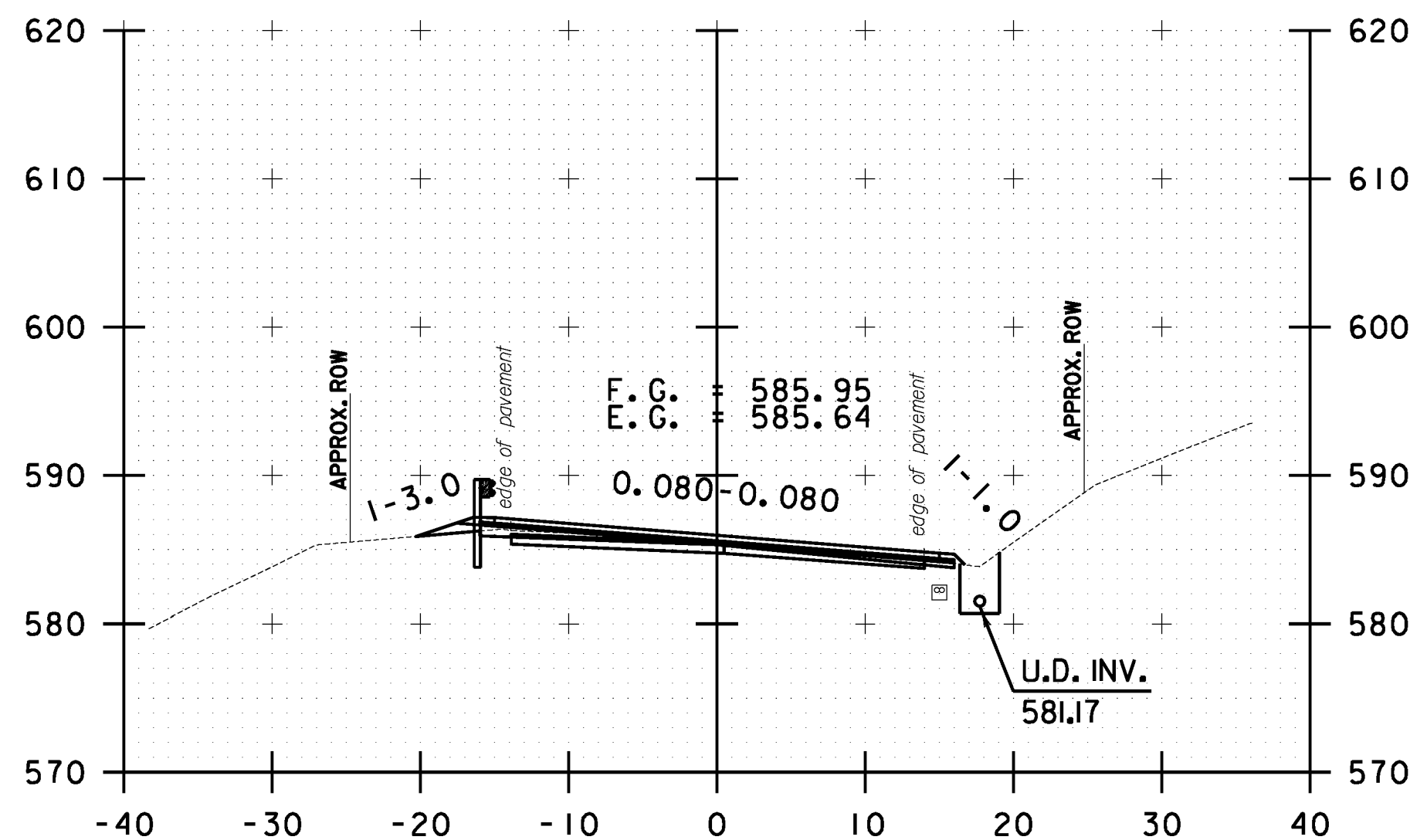
B 32+00.00



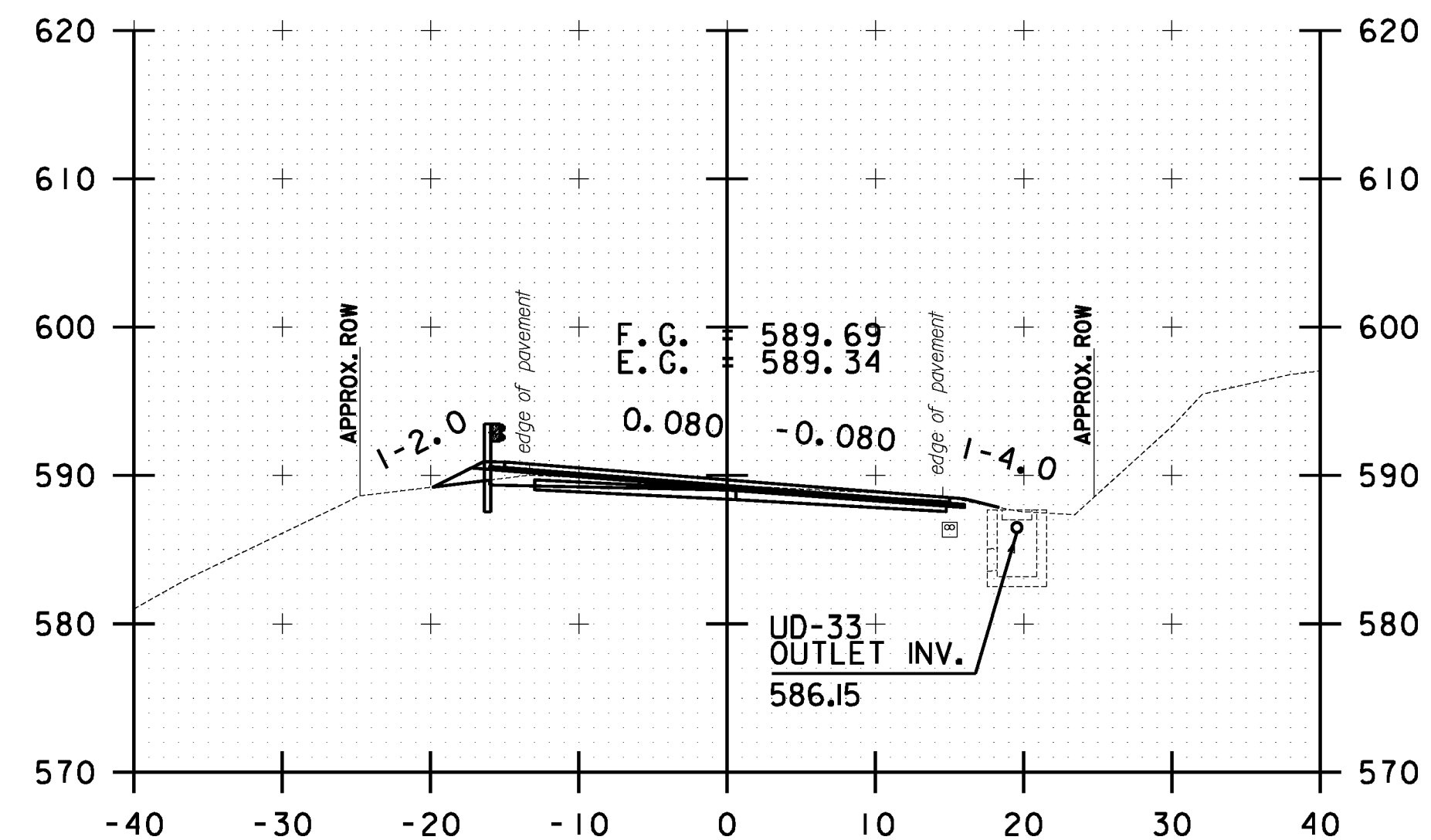
B 33+00.00



B 30+50.00



B 31+50.00



B 32+50.00



<b>BETHEL CROSS SECTION SHEET #11</b>	PROJECT NAME: STOCKBRIDGE-BETHEL
	PROJECT NUMBER: STP 2910(1)
	FILE NAME: z10b214.bethel.xc.dgn
	IPARM FILE: z10b214xs123.1
	PLOT DATE: 3/17/2014
	DRAWN BY: W.C.P.
	CHECKED BY: J.P.S.
	SHEET 336 OF 397