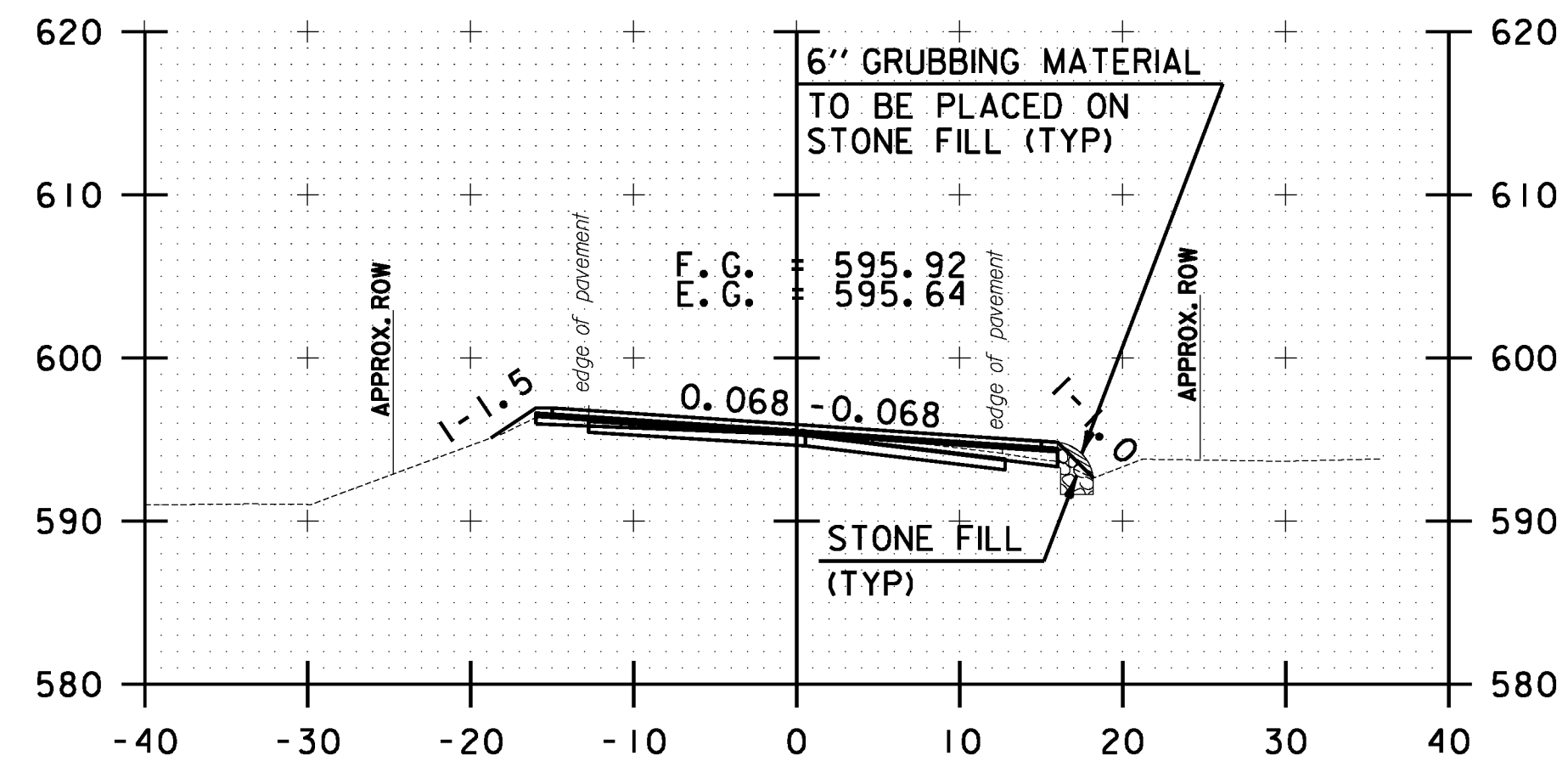
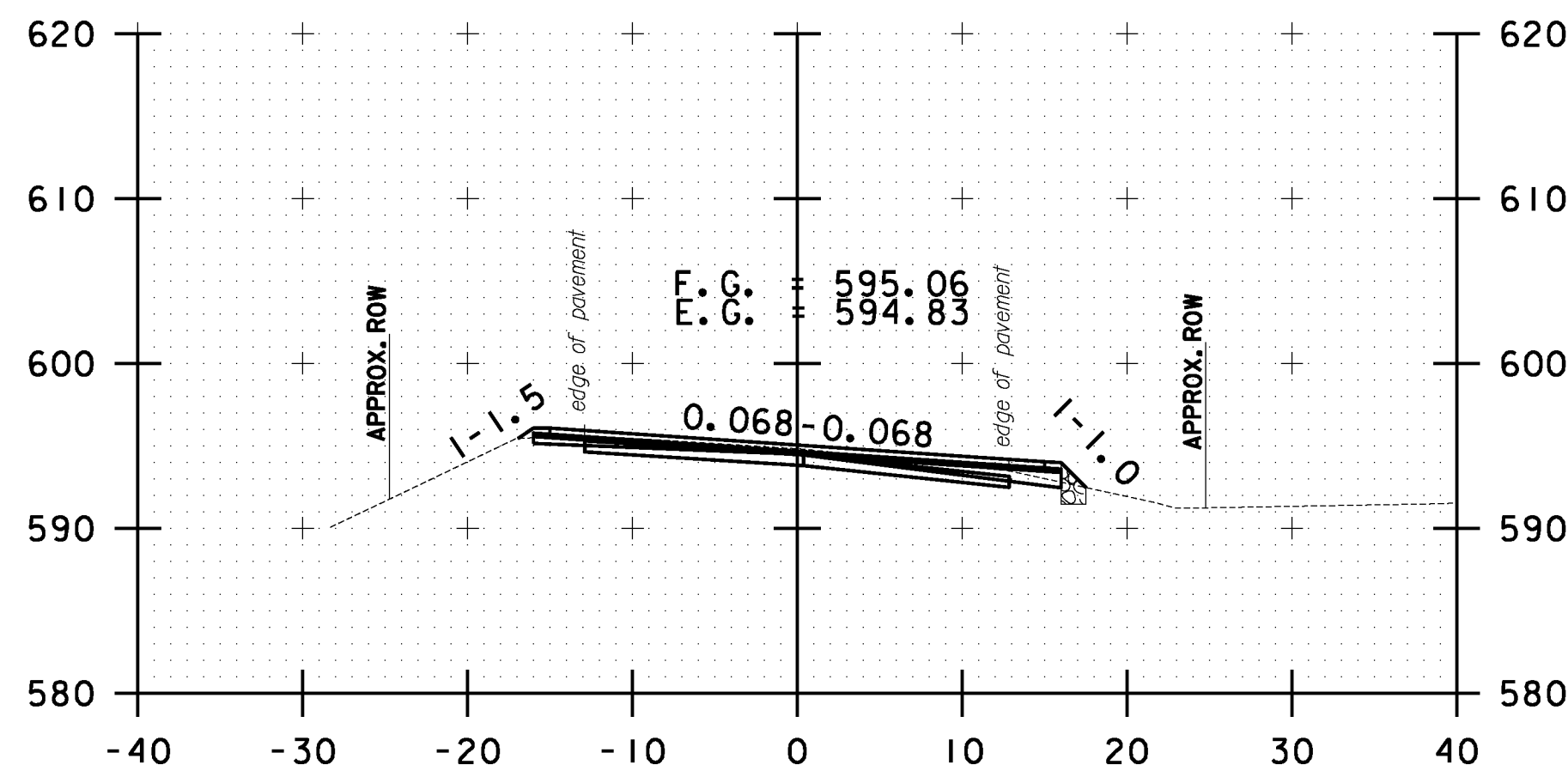


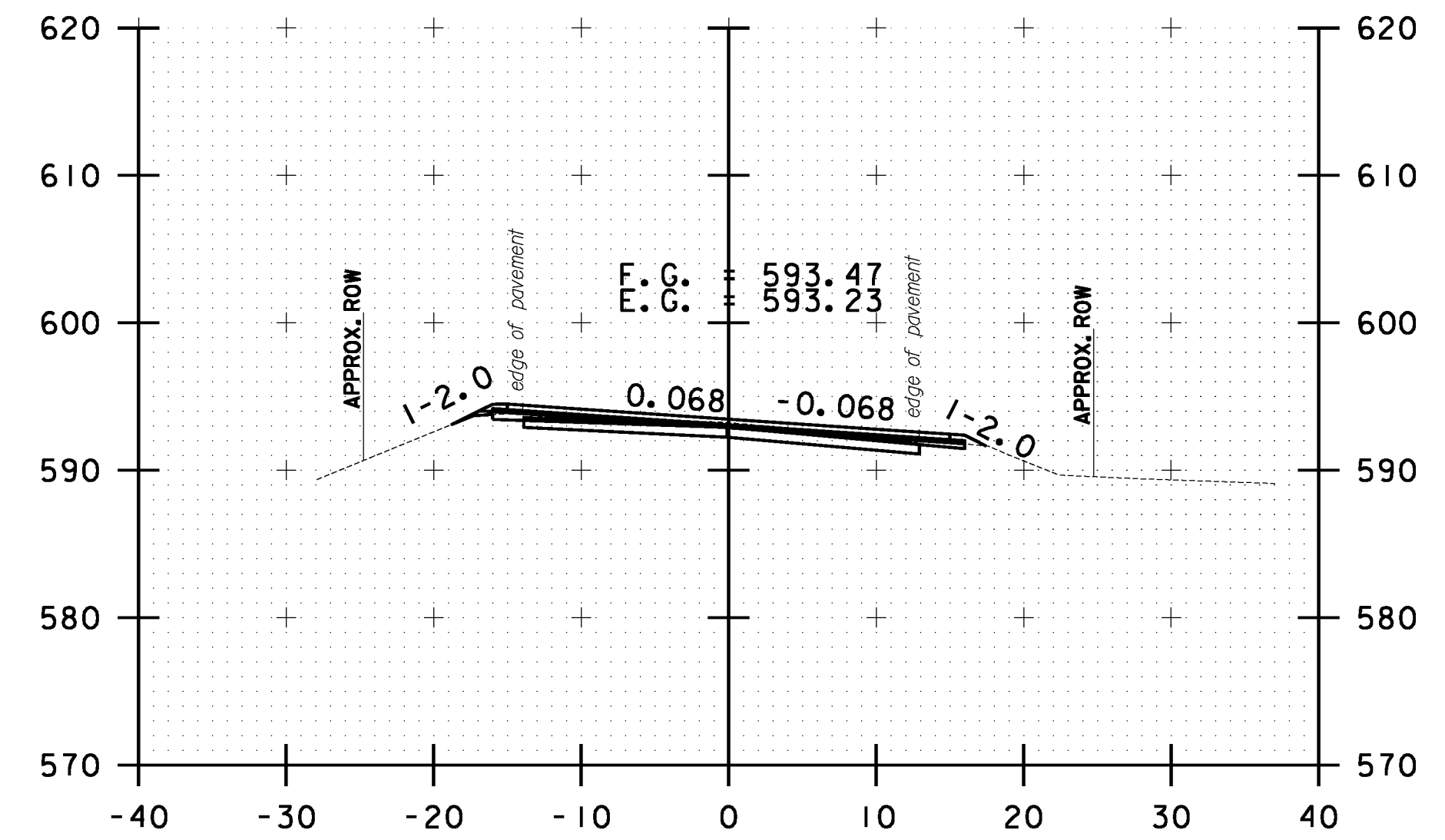
FILE NAME = Y:\P\c\g\ss\any\k2\22425\CADD\MSTN\10b214_stock_xc.dgn
 DATE/TIME = 3/17/2014
 USER = 4916



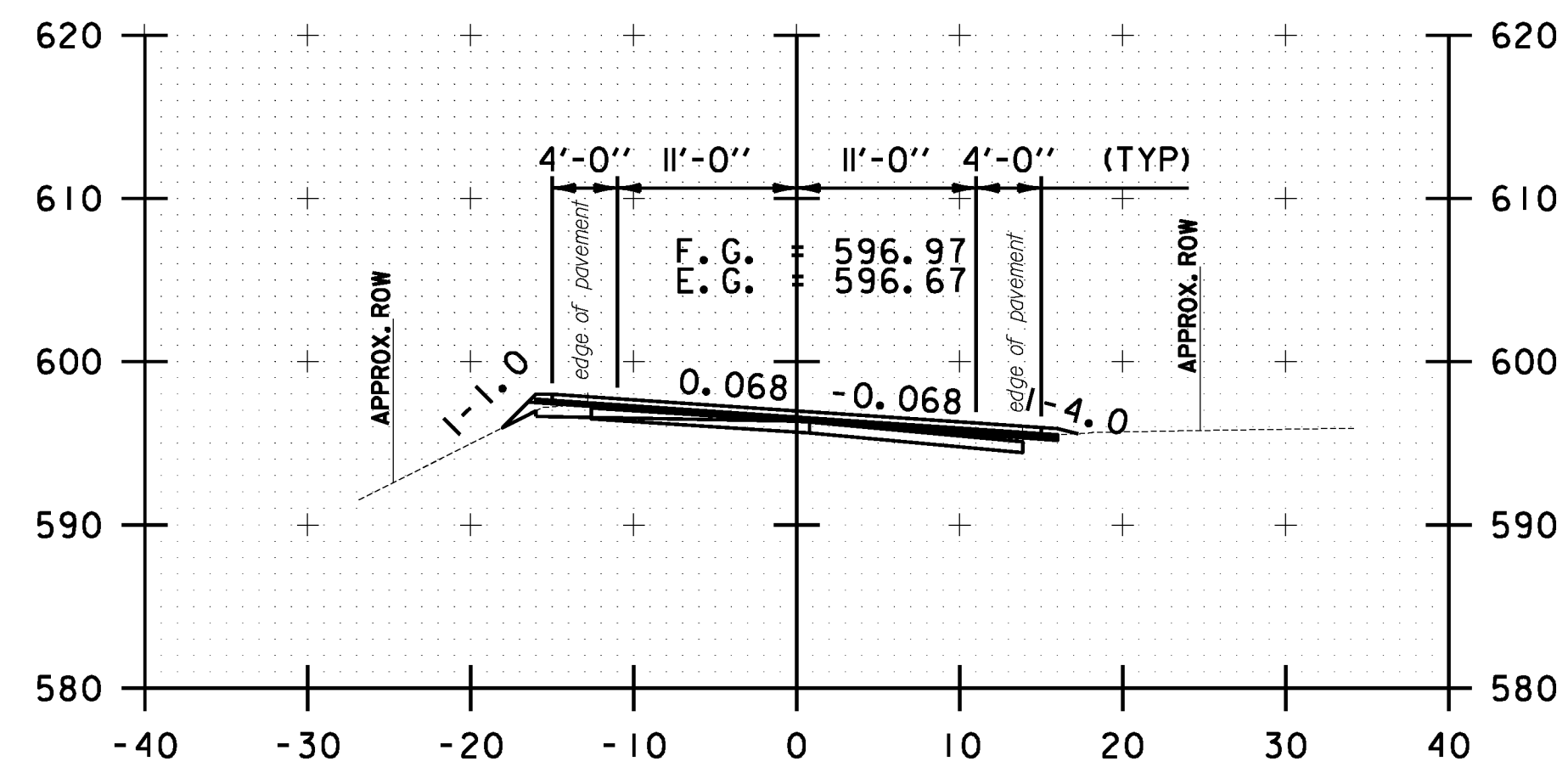
329+50.00



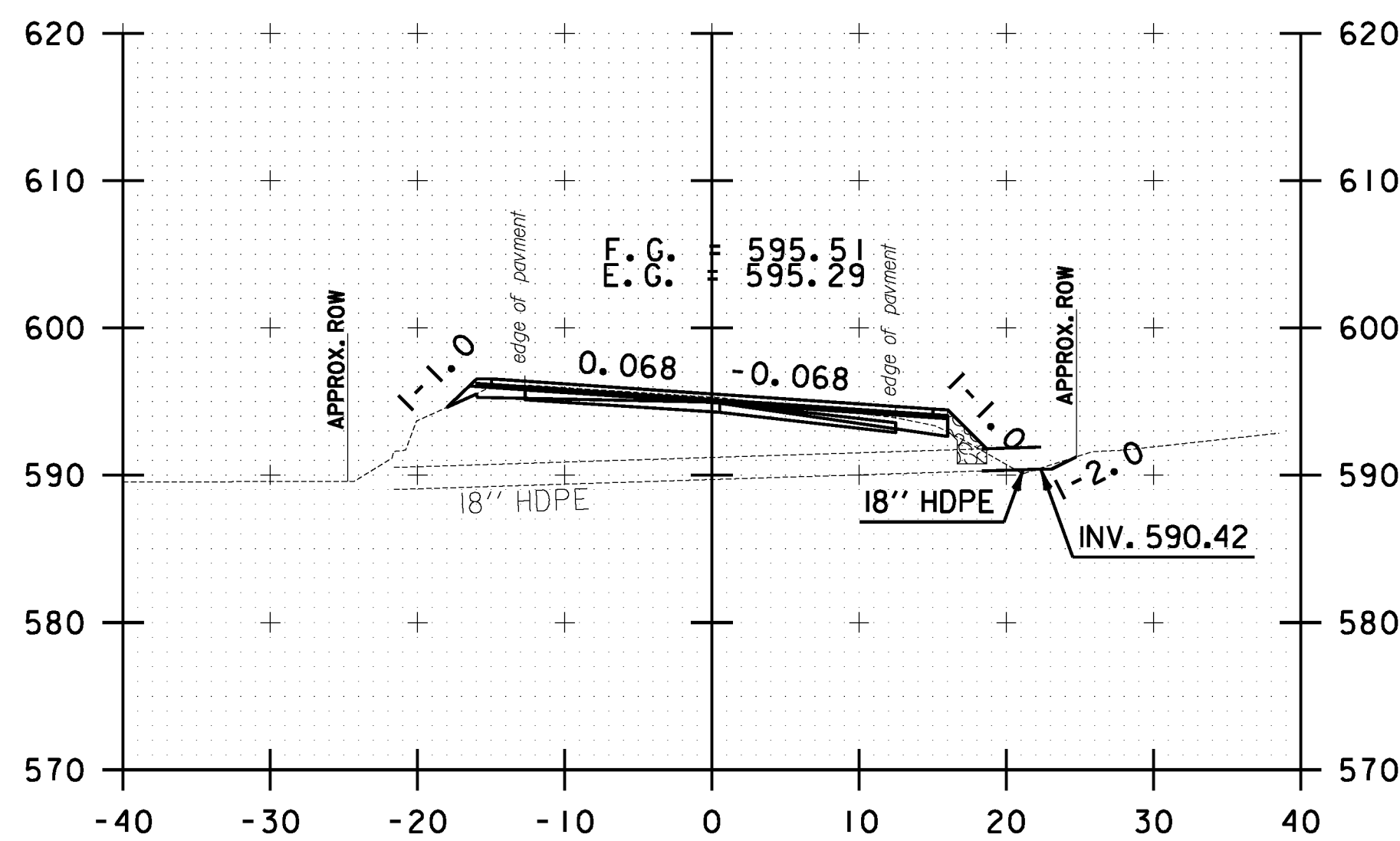
330+00.00



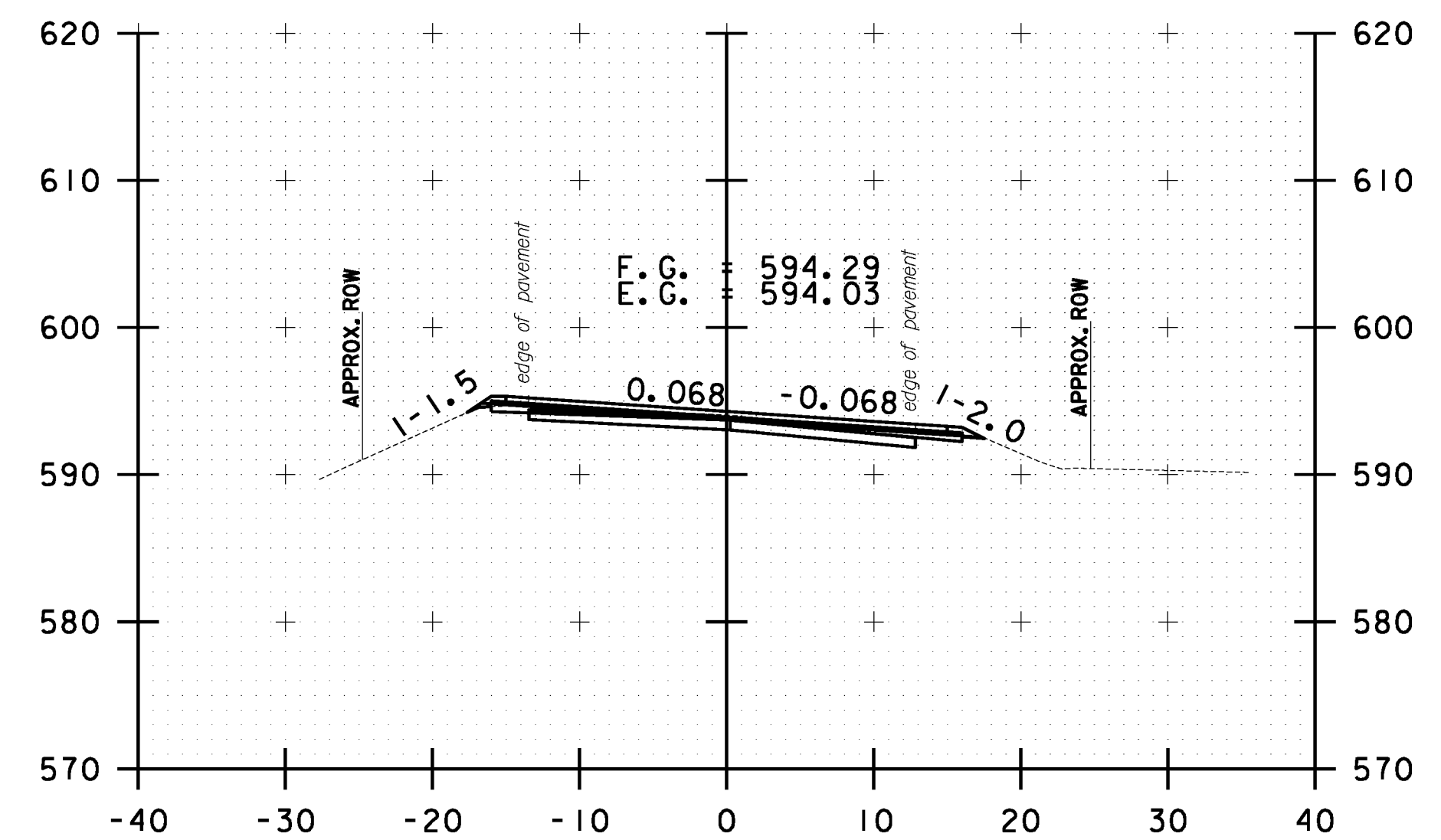
331+00.00



329+00.00



329+72.80



330+50.00



**STOCKBRIDGE
 CROSS SECTION
 SHEET #104**

PROJECT NAME: STOCKBRIDGE-BETHEL

PROJECT NUMBER: STP 2910(1)

FILE NAME: z10b214_stock_xc.dgn

PROJECT LEADER: D.E.G.

DESIGNED BY: L.M.B.

IPARM FILE: z10b214xs104.1

PLOT DATE: 3/17/2014

DRAWN BY: W.G.P.

CHECKED BY: J.P.S.

SHEET 317 OF 397