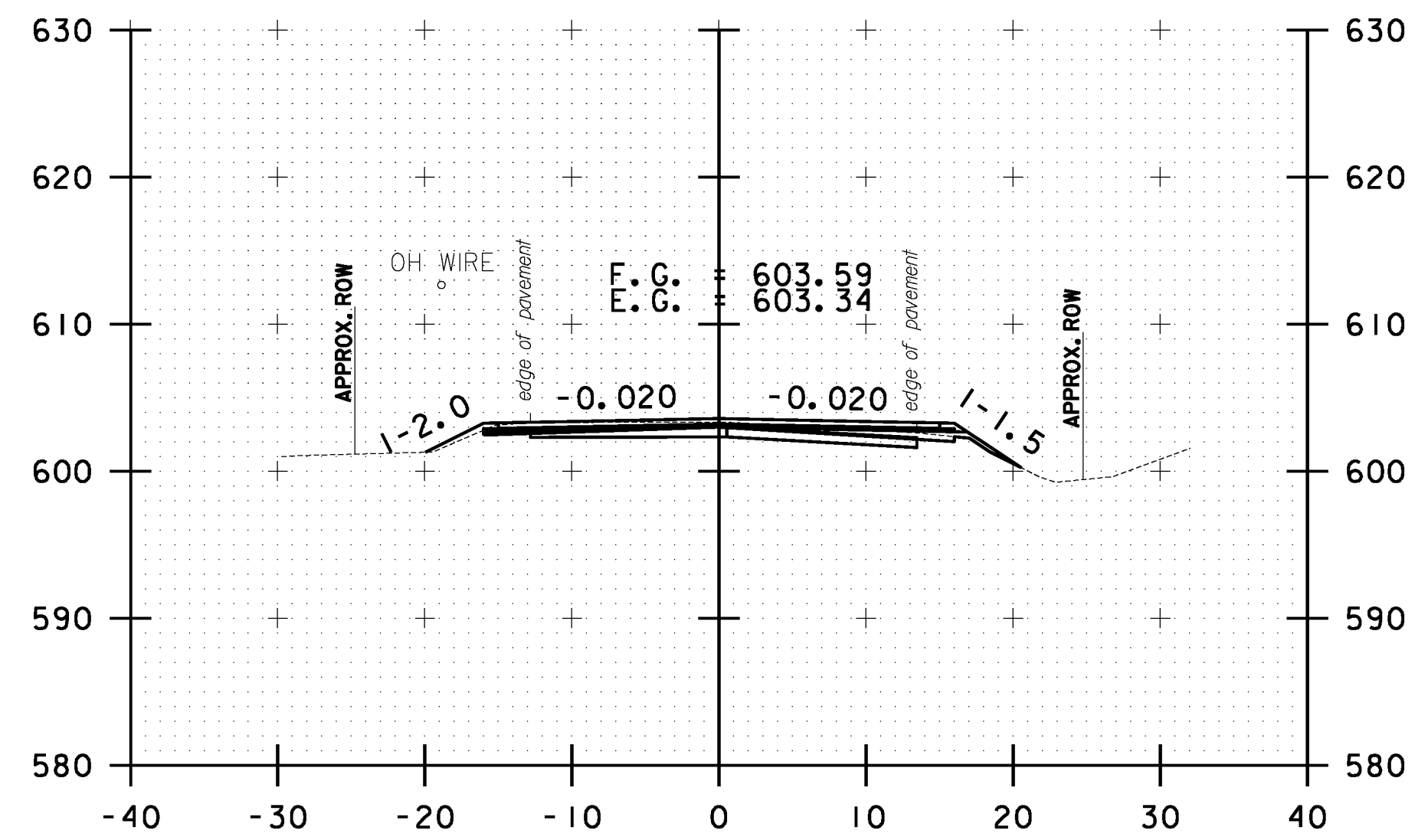
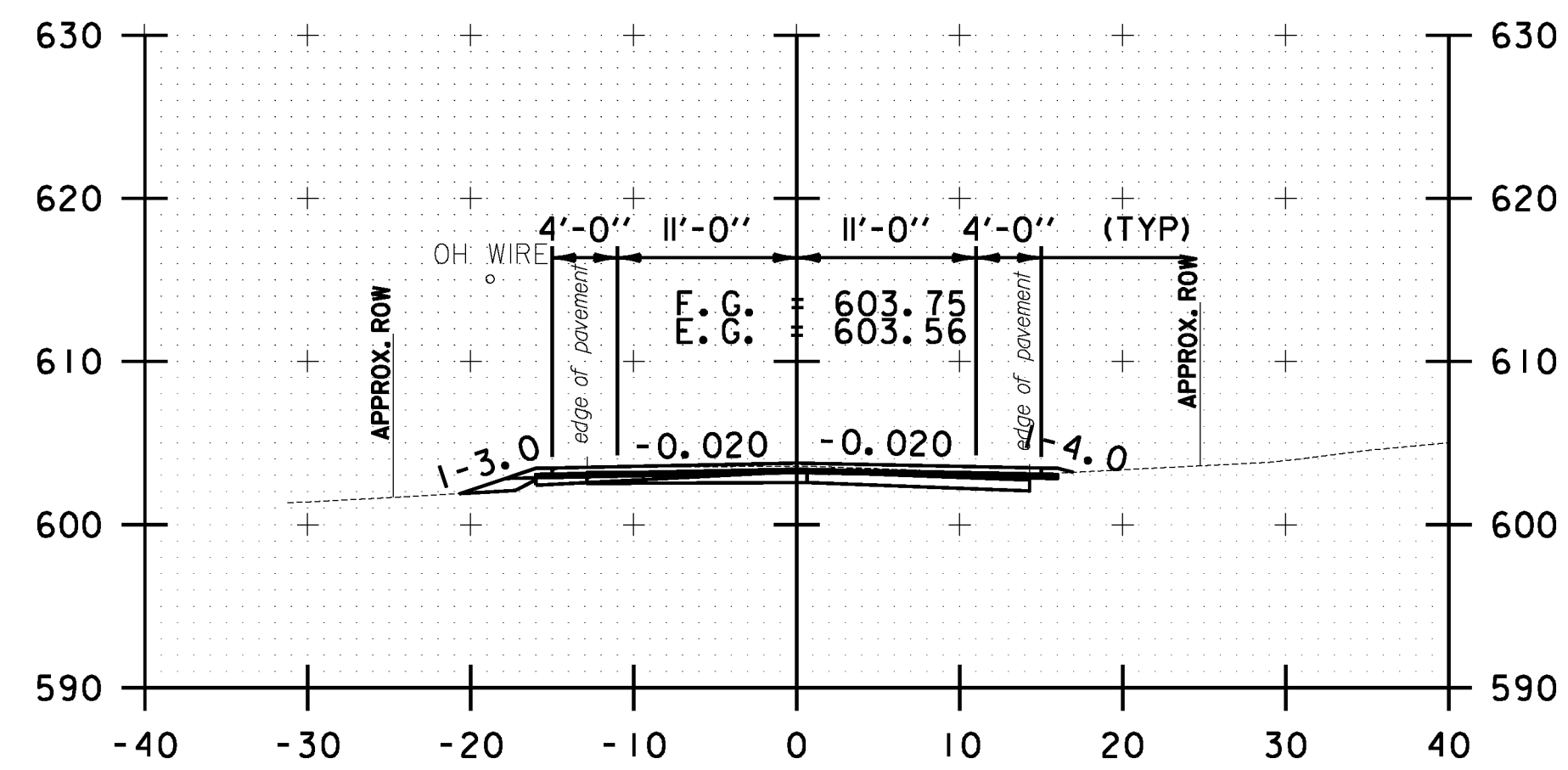


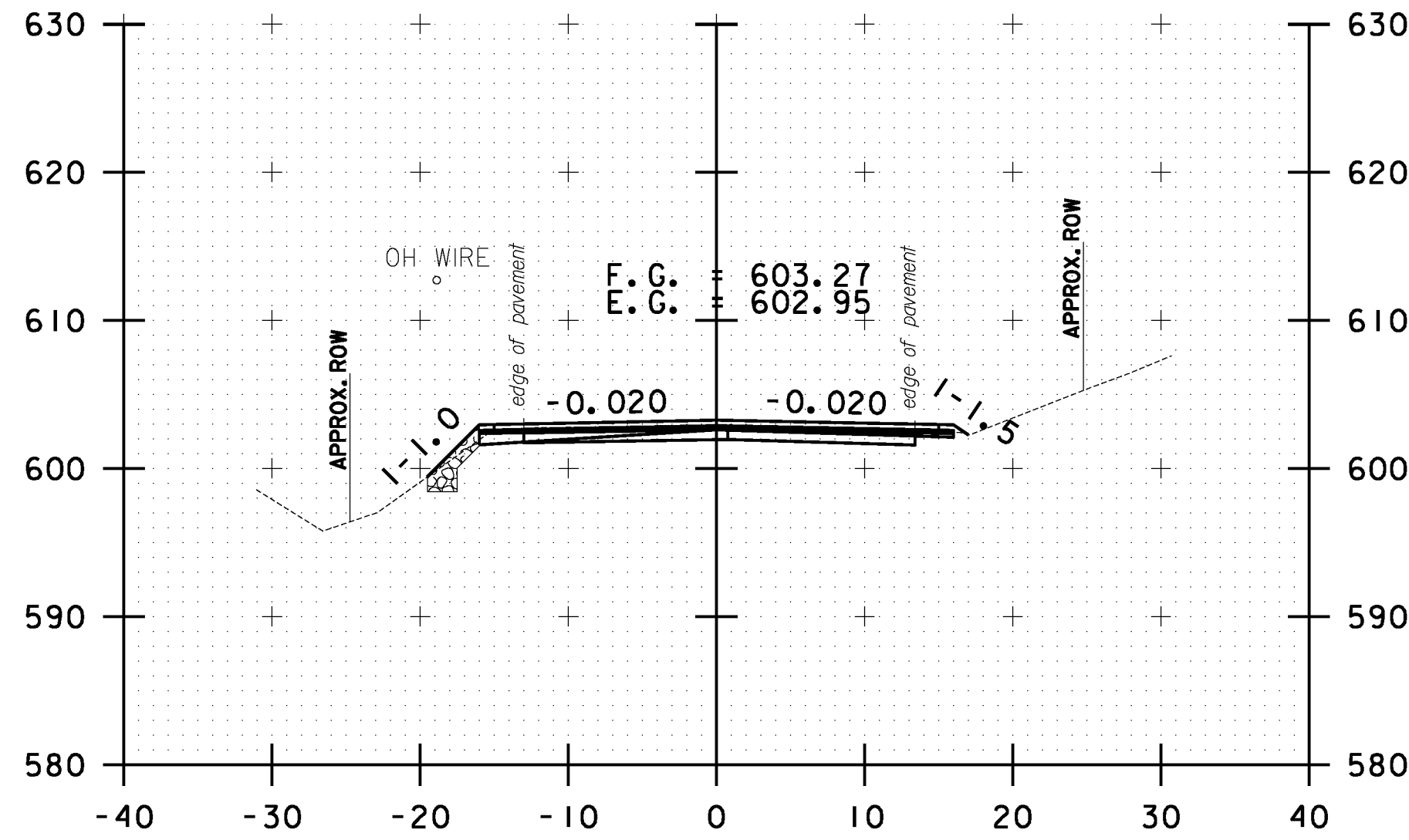
FILE NAME = Y:\P\c\g\sc\l\any\k2\22425\CADD\MSTN\10b214_stock_xc.dgn
 DATE/TIME = 3/17/2014
 USER = 4916



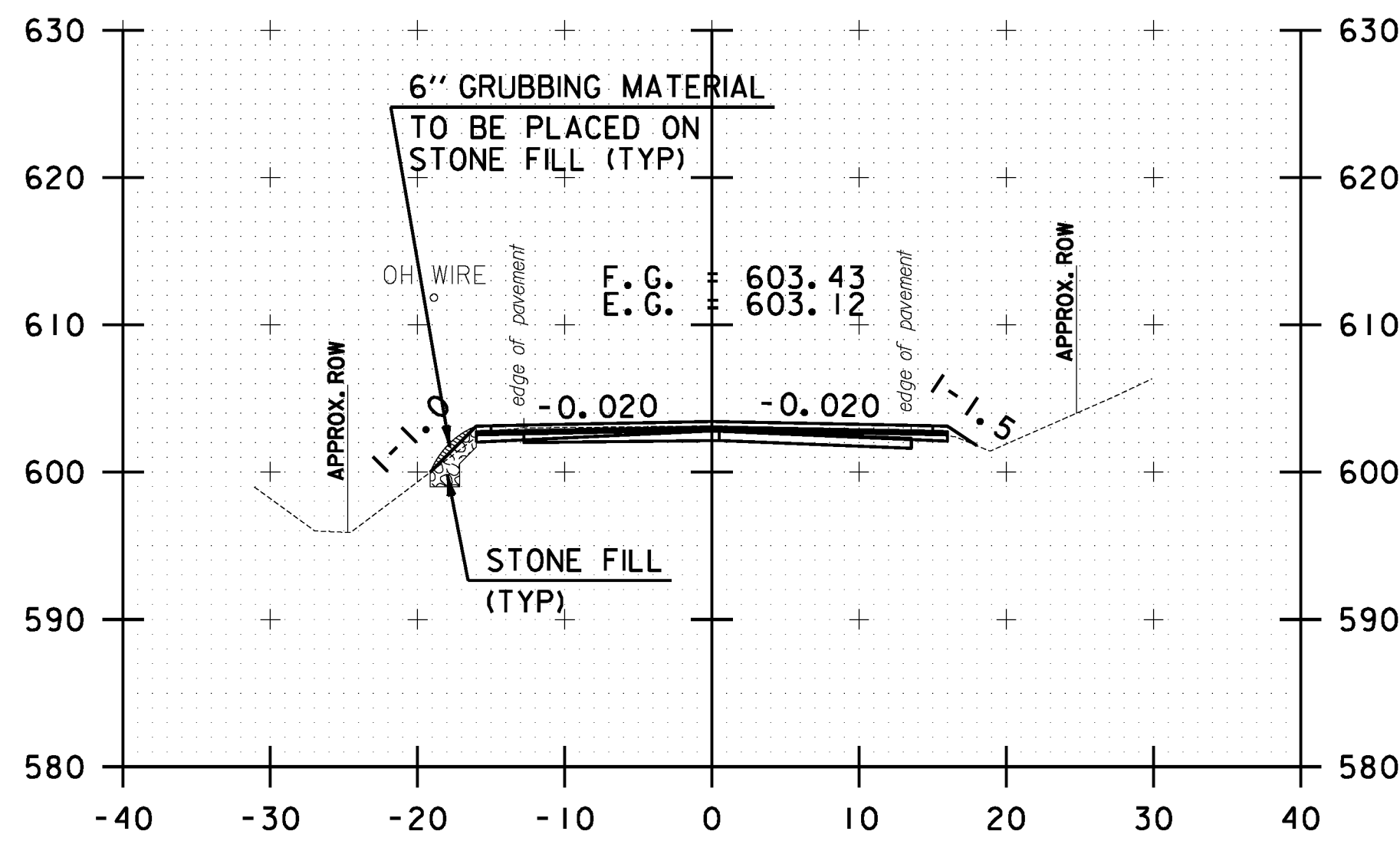
321+00.00



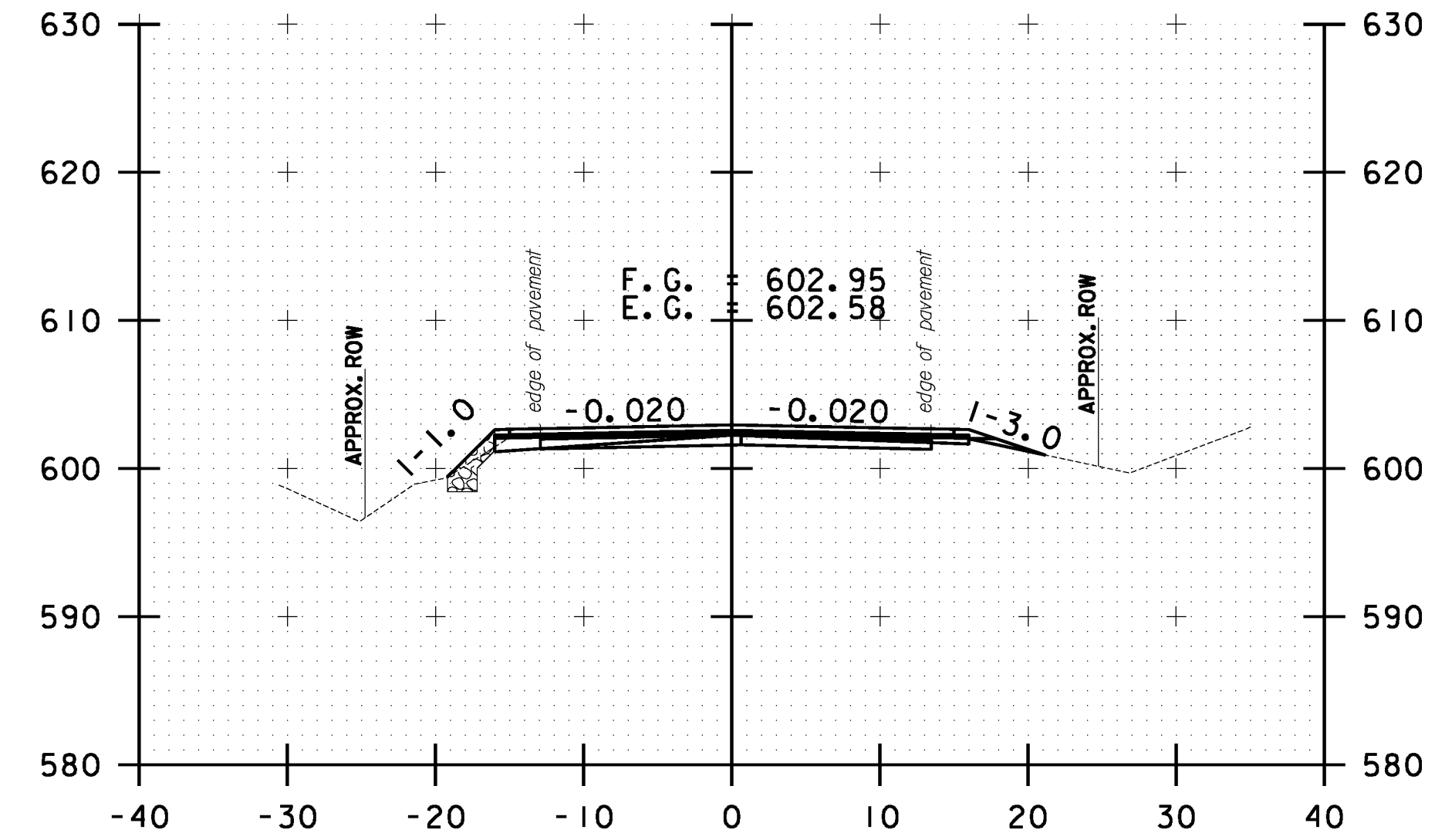
320+50.00



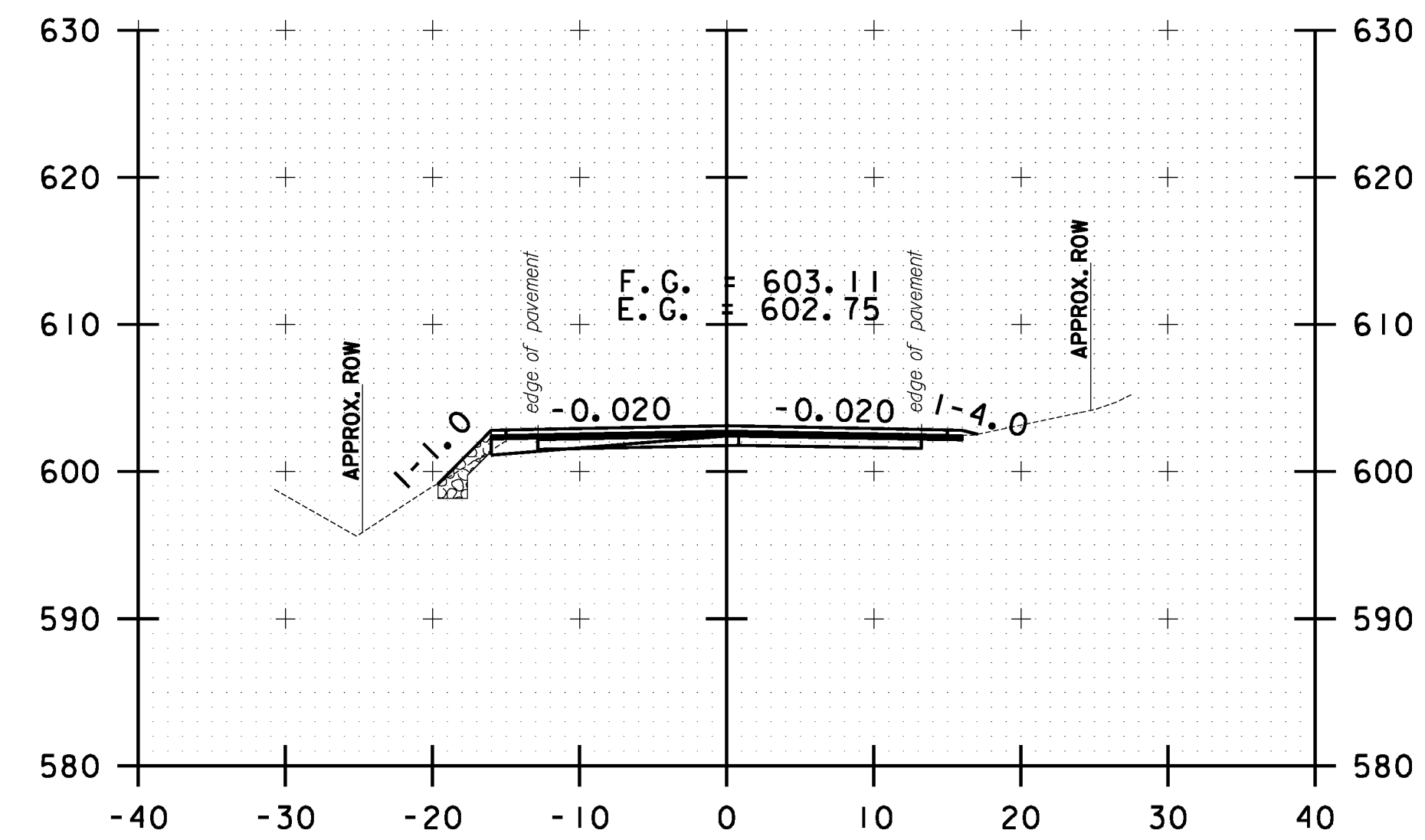
322+00.00



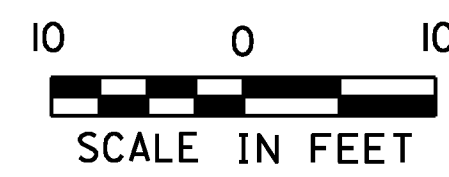
321+50.00



323+00.00



322+50.00



STOCKBRIDGE CROSS SECTION SHEET #101	PROJECT NAME: STOCKBRIDGE-BETHEL
	PROJECT NUMBER: STP 2910(1)
	FILE NAME: z10b214_stock_xc.dgn
	IPARM FILE: z10b214xsl01.I
	PLOT DATE: 3/17/2014
	DRAWN BY: W.G.P.
	CHECKED BY: J.P.S.
	SHEET 314 OF 397