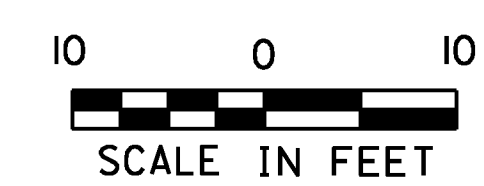
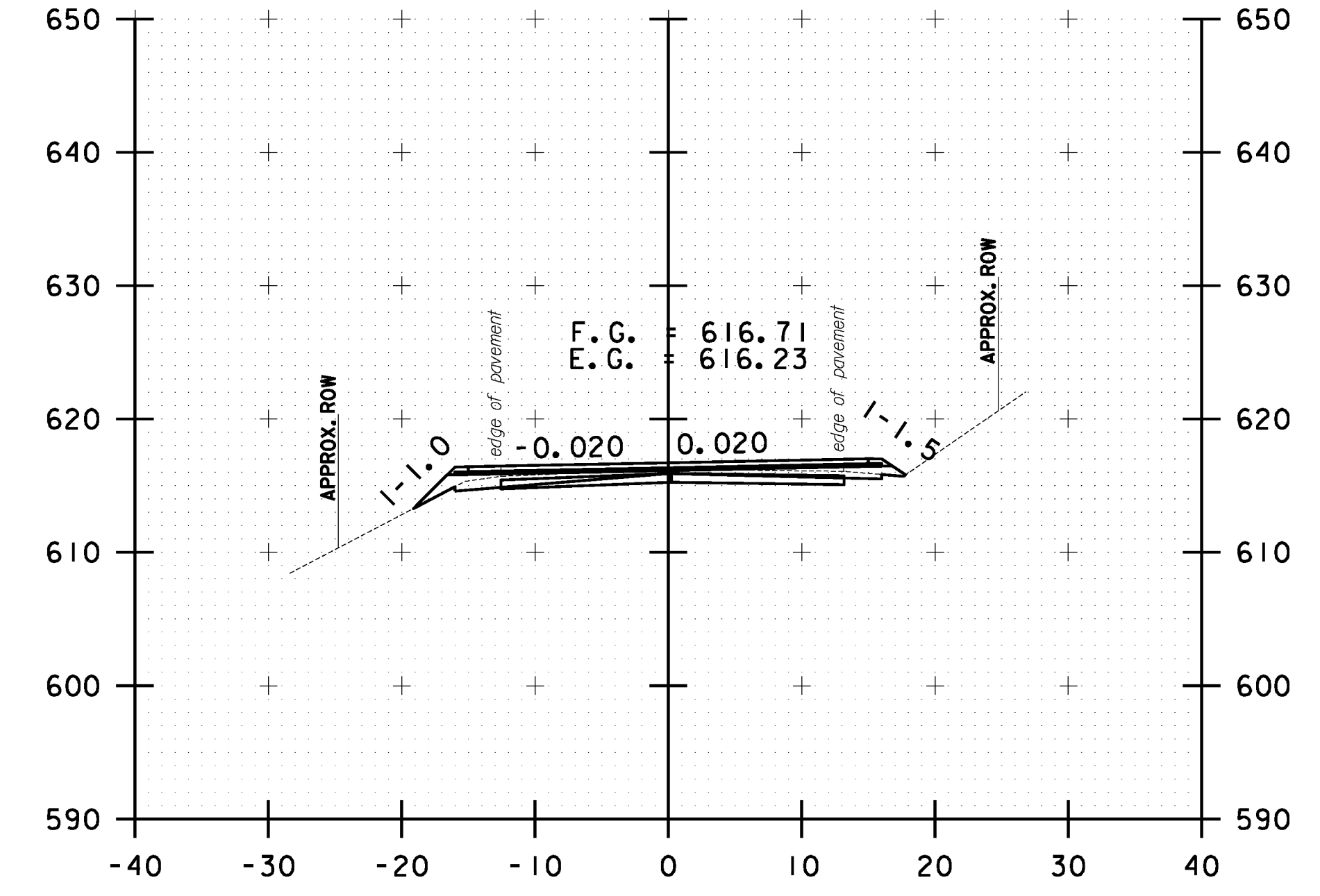
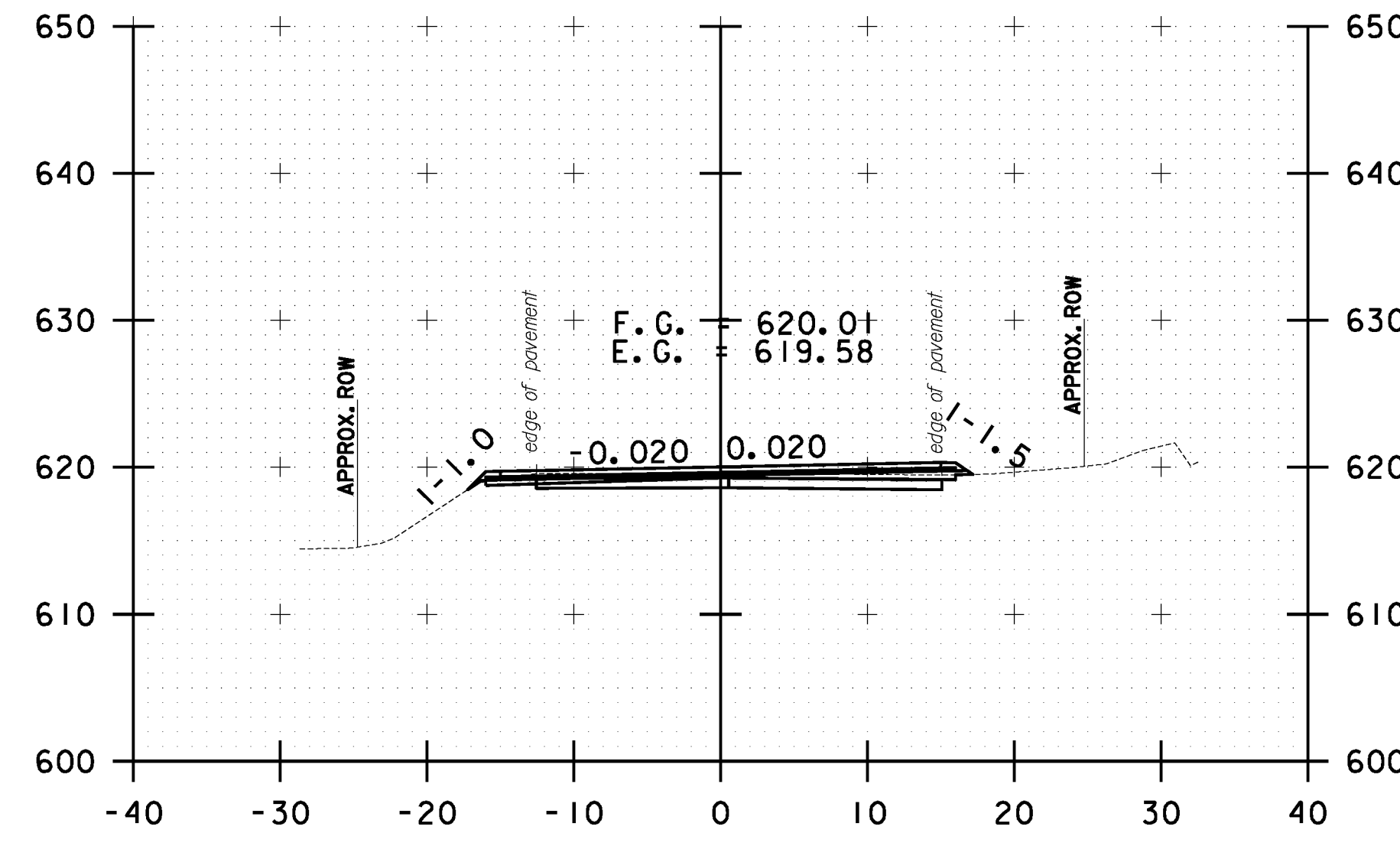
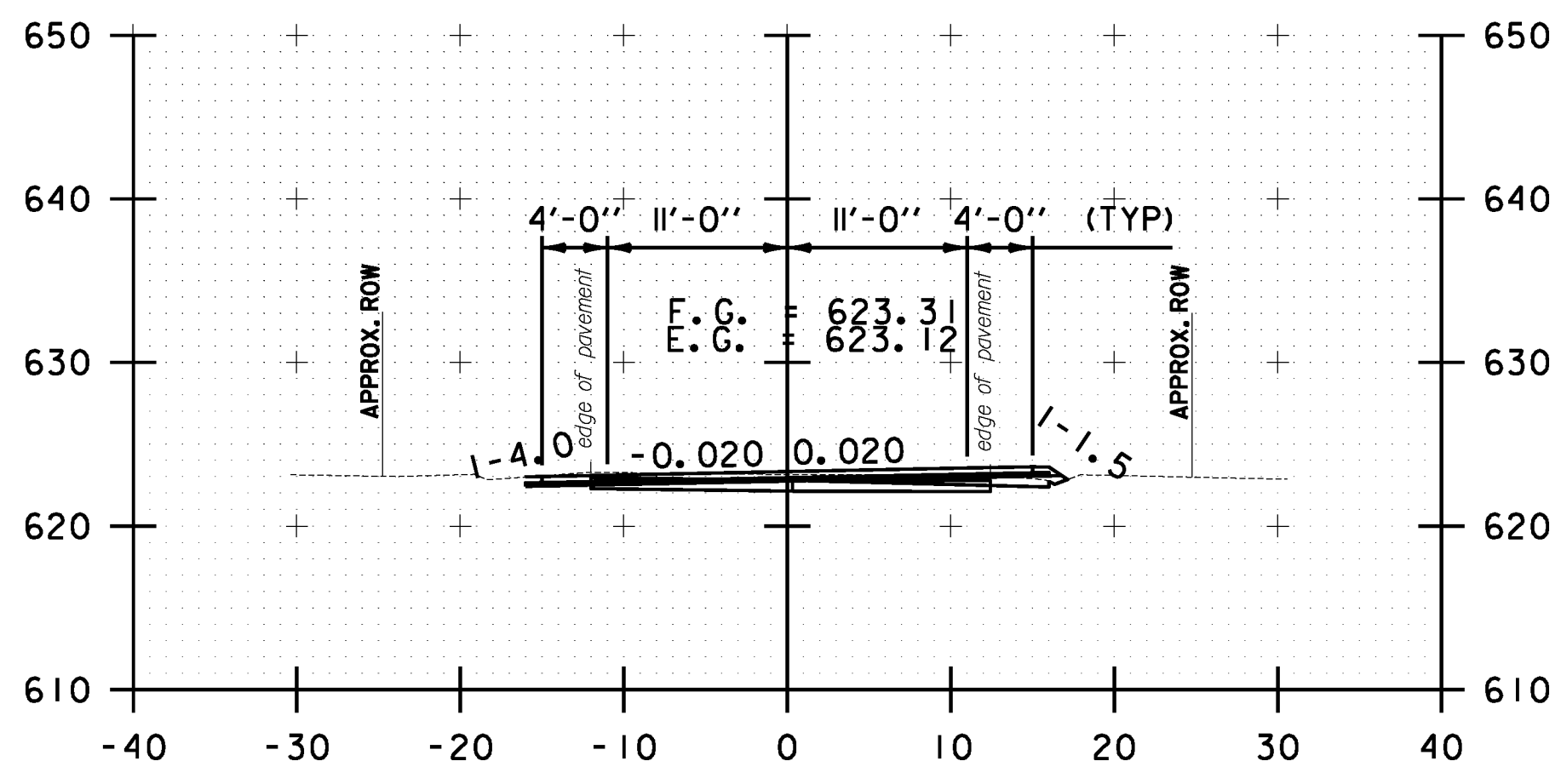
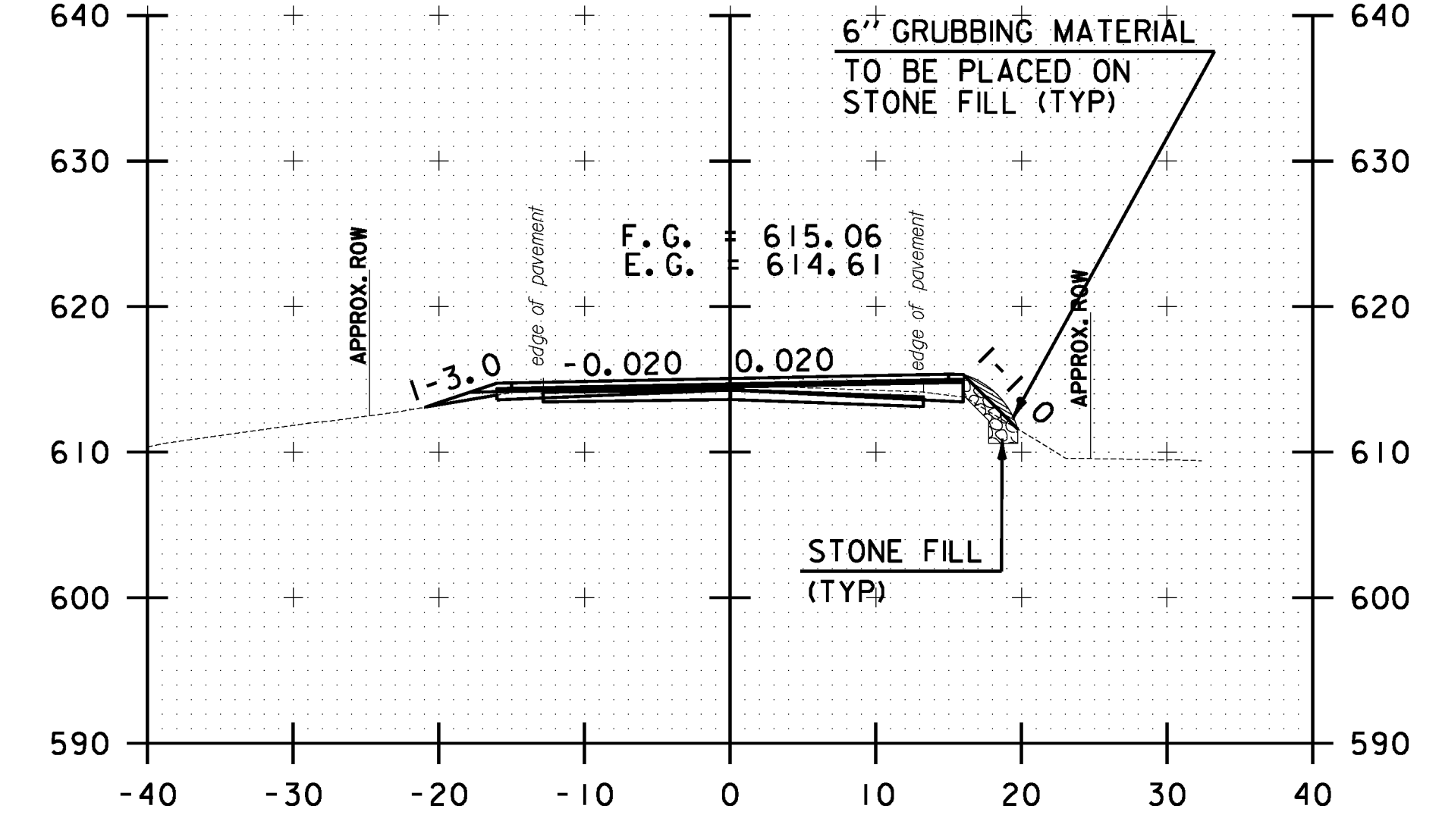
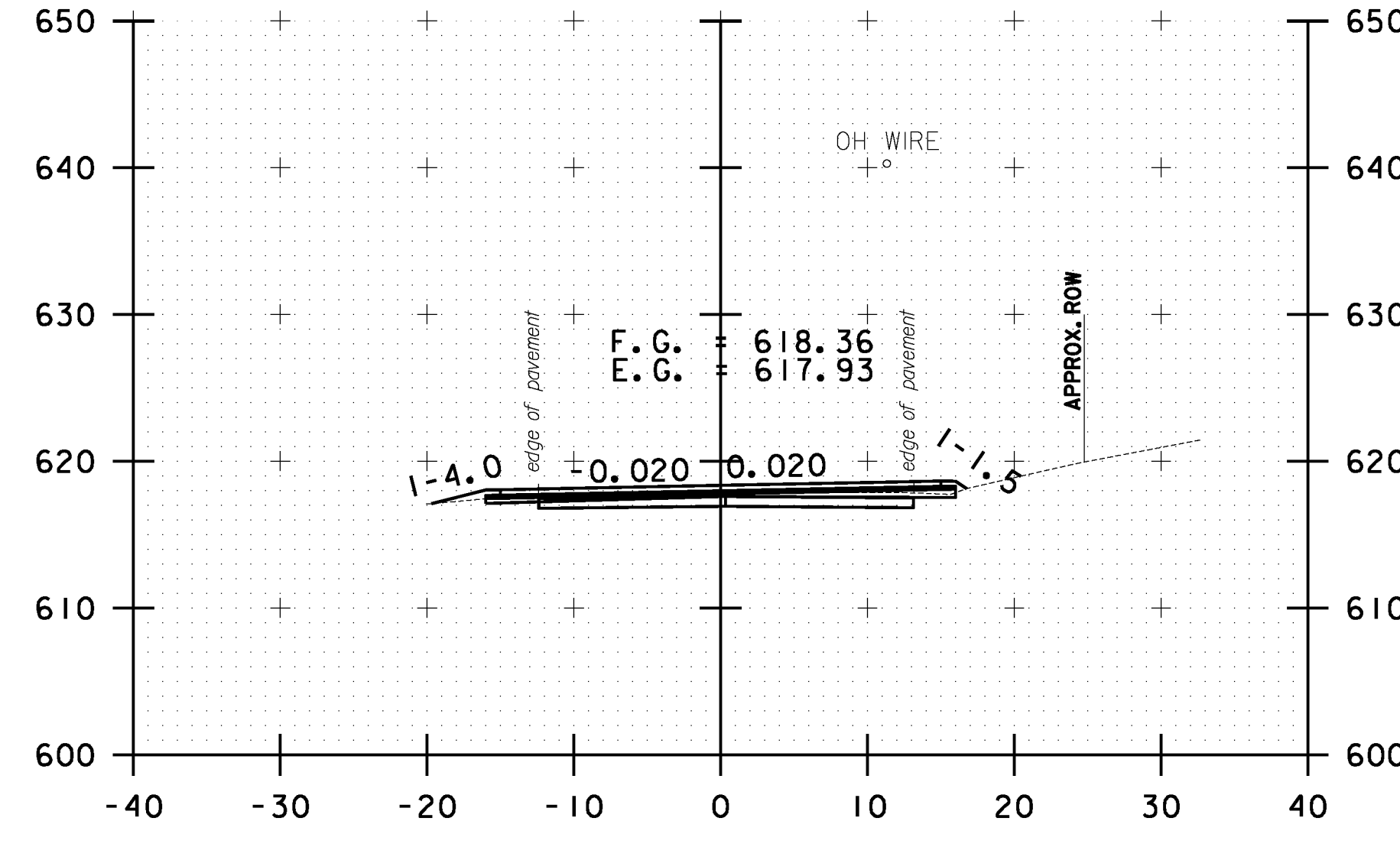
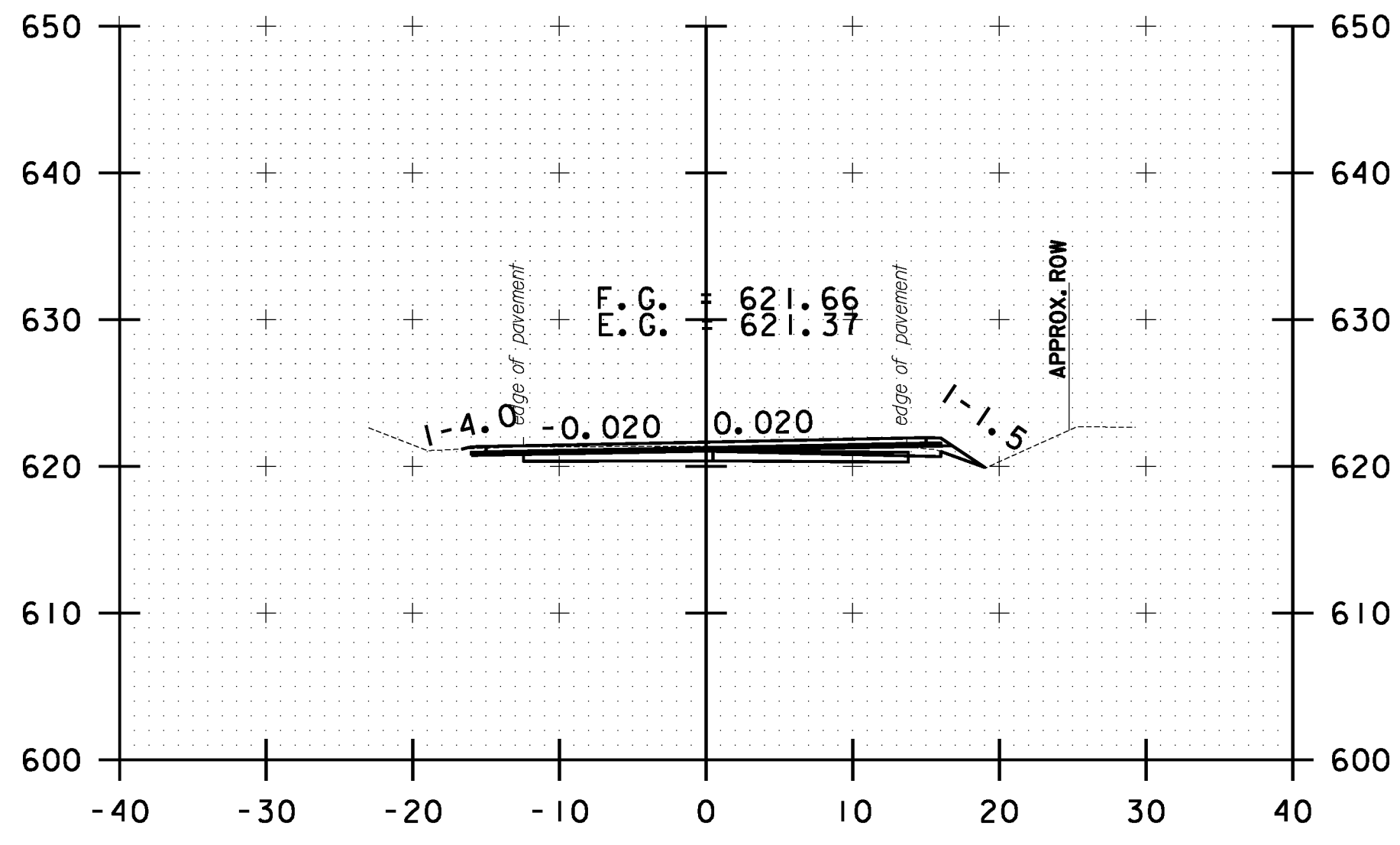


FILE NAME = Y:\P\c\res\any\k2\22425\CA001\MSTN\10b214\_stock.nc.dgn  
 DATE/TIME = 3/17/2014  
 USER = 4916



<b>STOCKBRIDGE CROSS SECTION SHEET #87</b>	PROJECT NAME: STOCKBRIDGE-BETHEL
	PROJECT NUMBER: STP 2910(1)
	FILE NAME: z10b214_stock.nc.dgn
	IPARM FILE: z10b214xs87.1
	PLOT DATE: 3/17/2014
	DRAWN BY: W.G.P.
	CHECKED BY: J.P.S.
	SHEET 300 OF 397