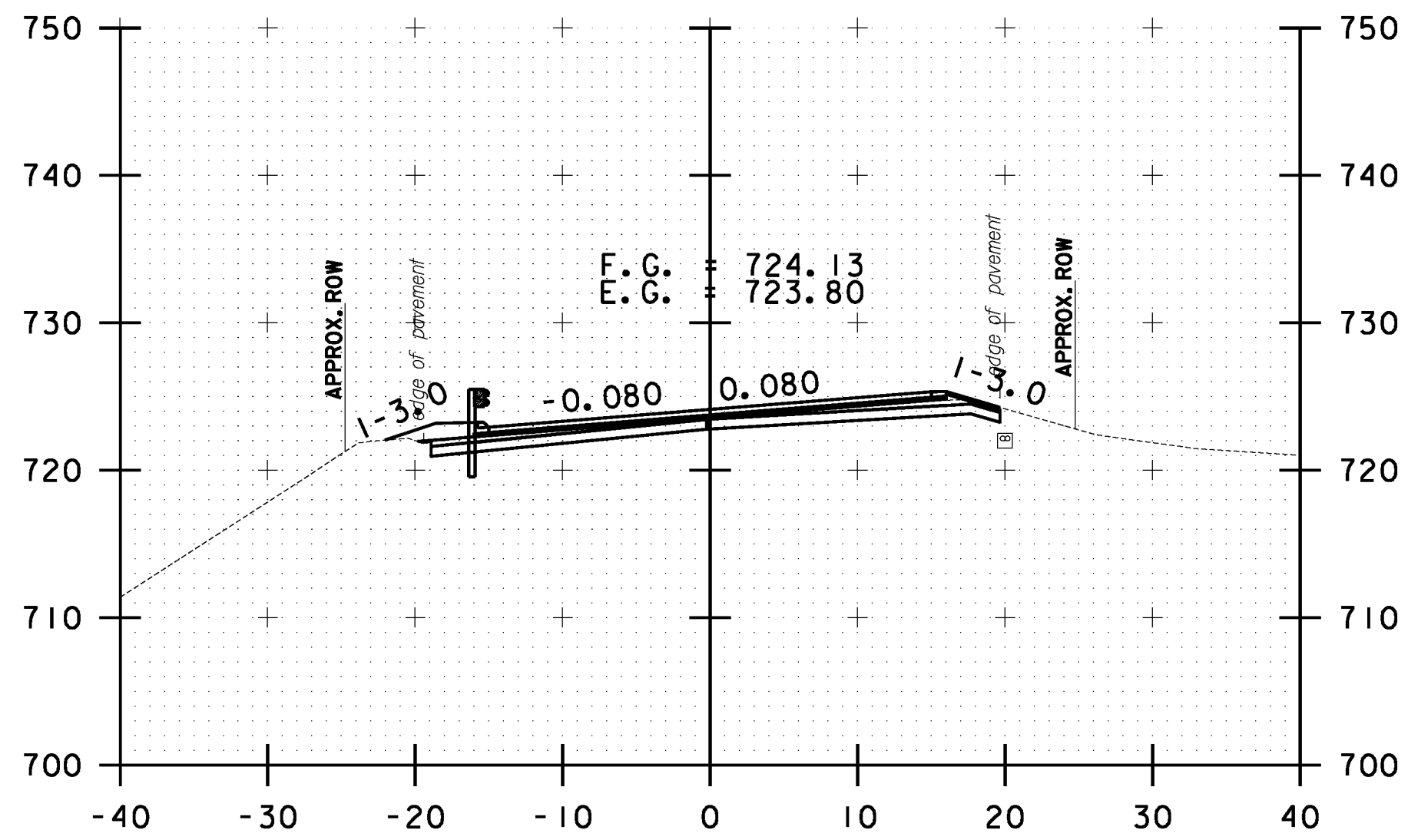
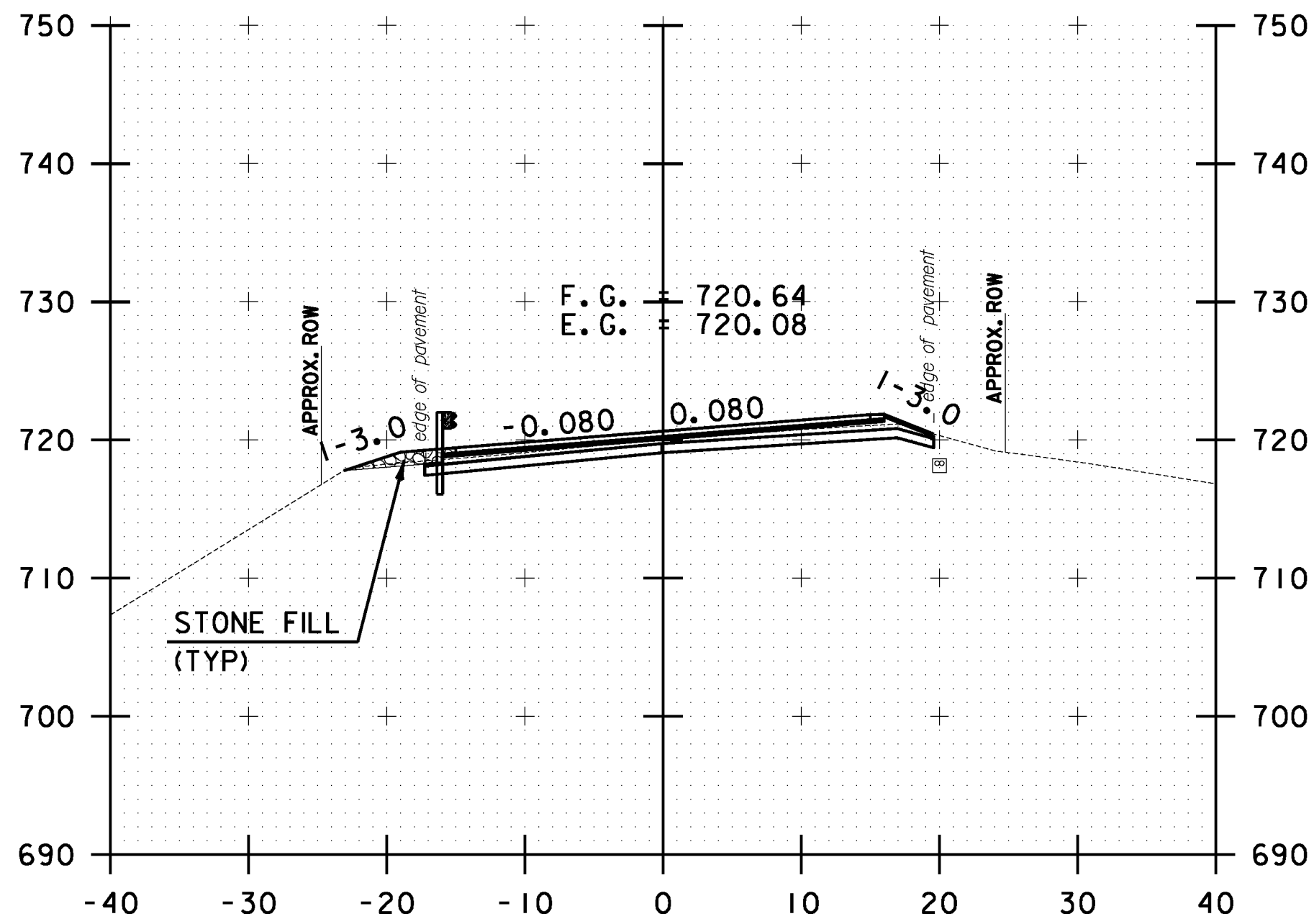


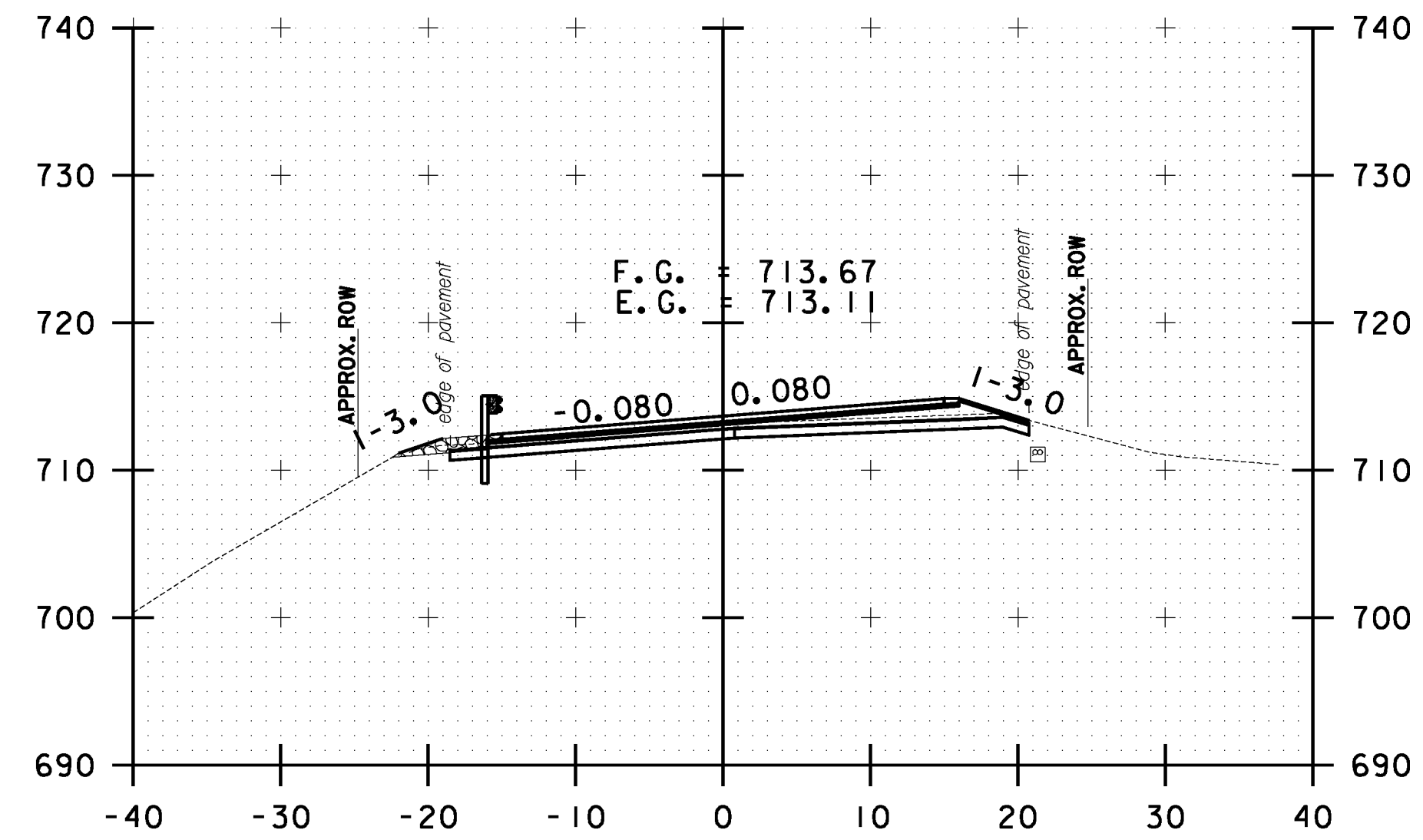
FILE NAME = Y:\P\c\g\ss\any\k2\22425\CADD\MSTN\10b214\_stock.nc.dgn  
 DATE/TIME = 3/17/2014  
 USER = 4916



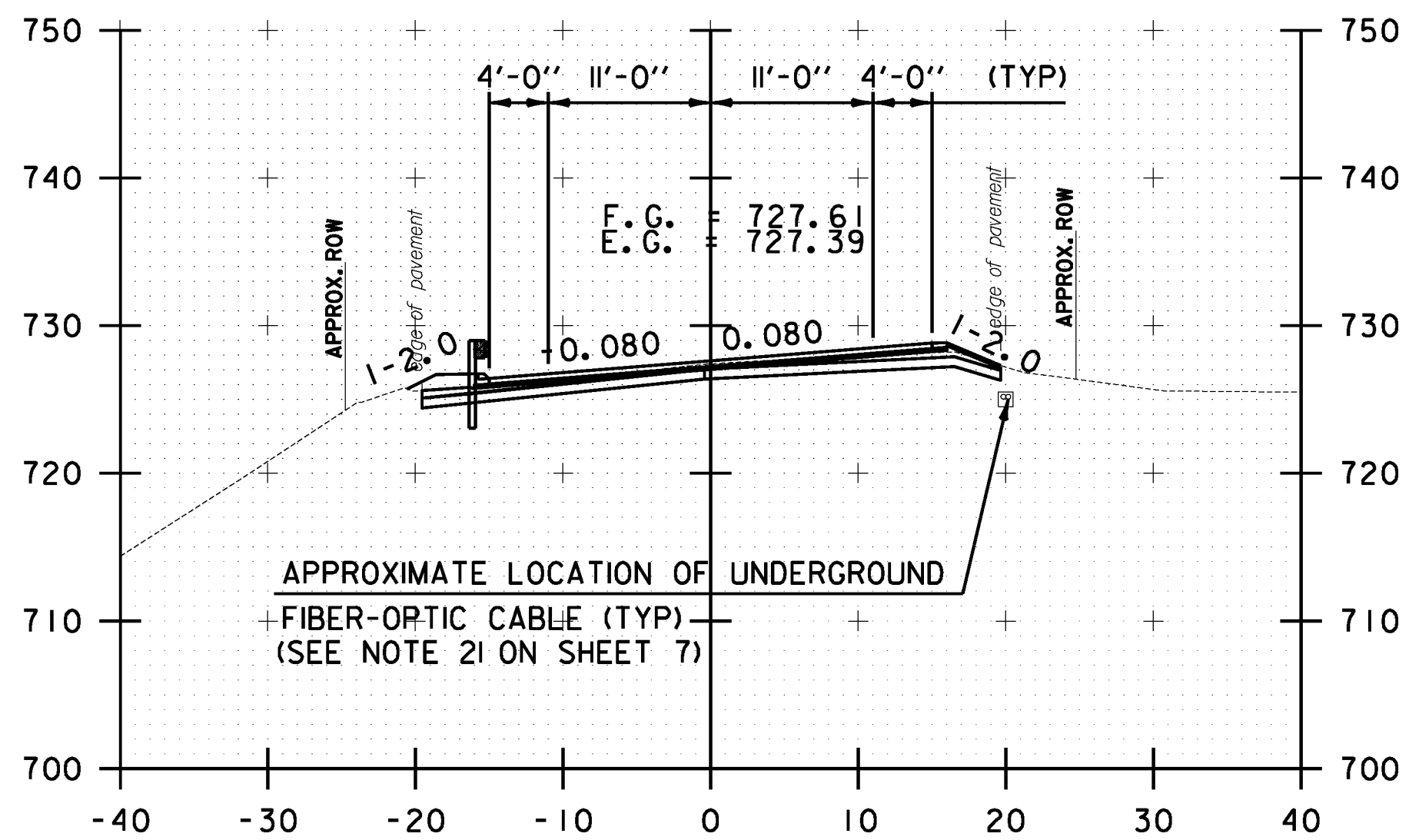
224+50.00



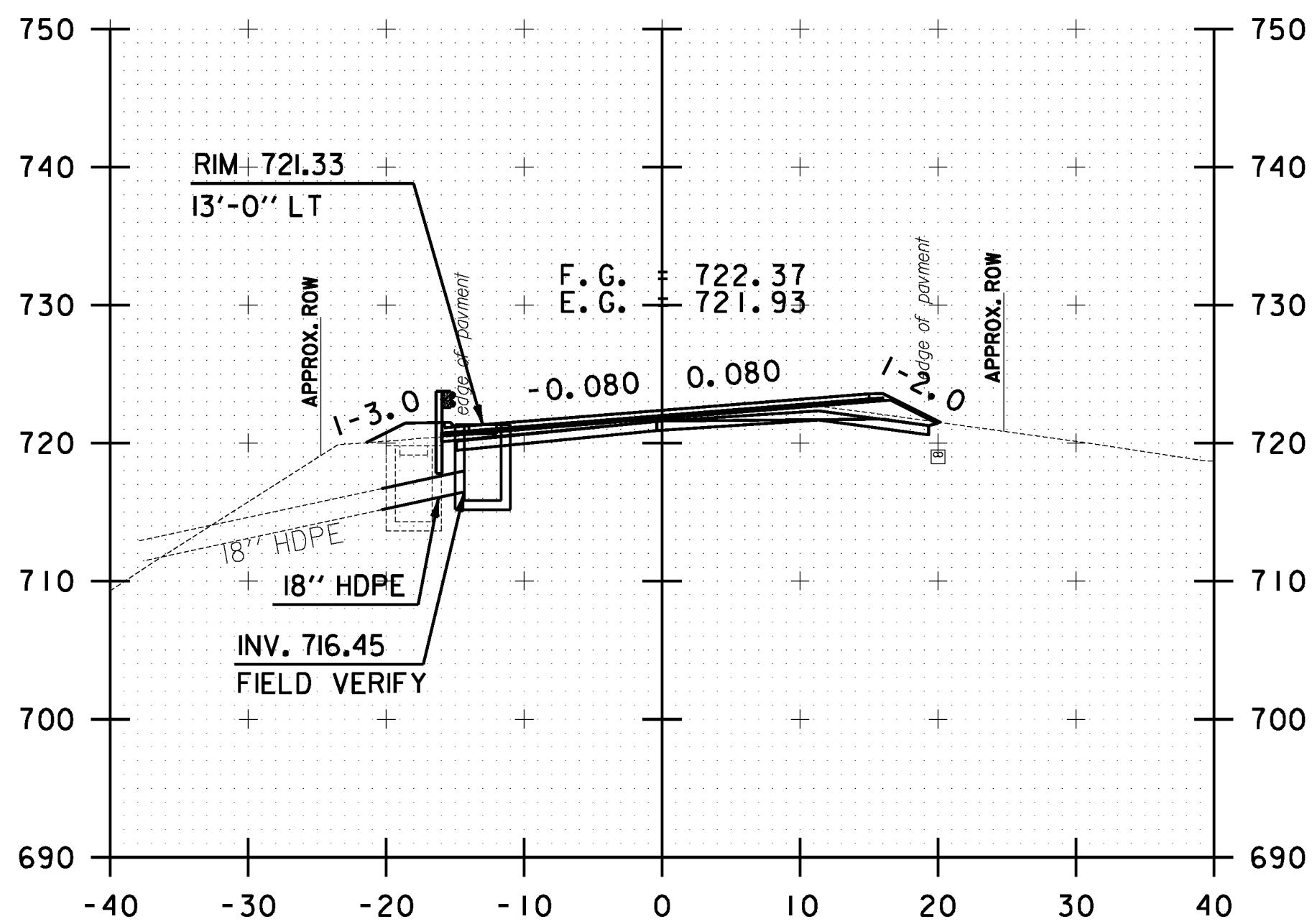
225+00.00



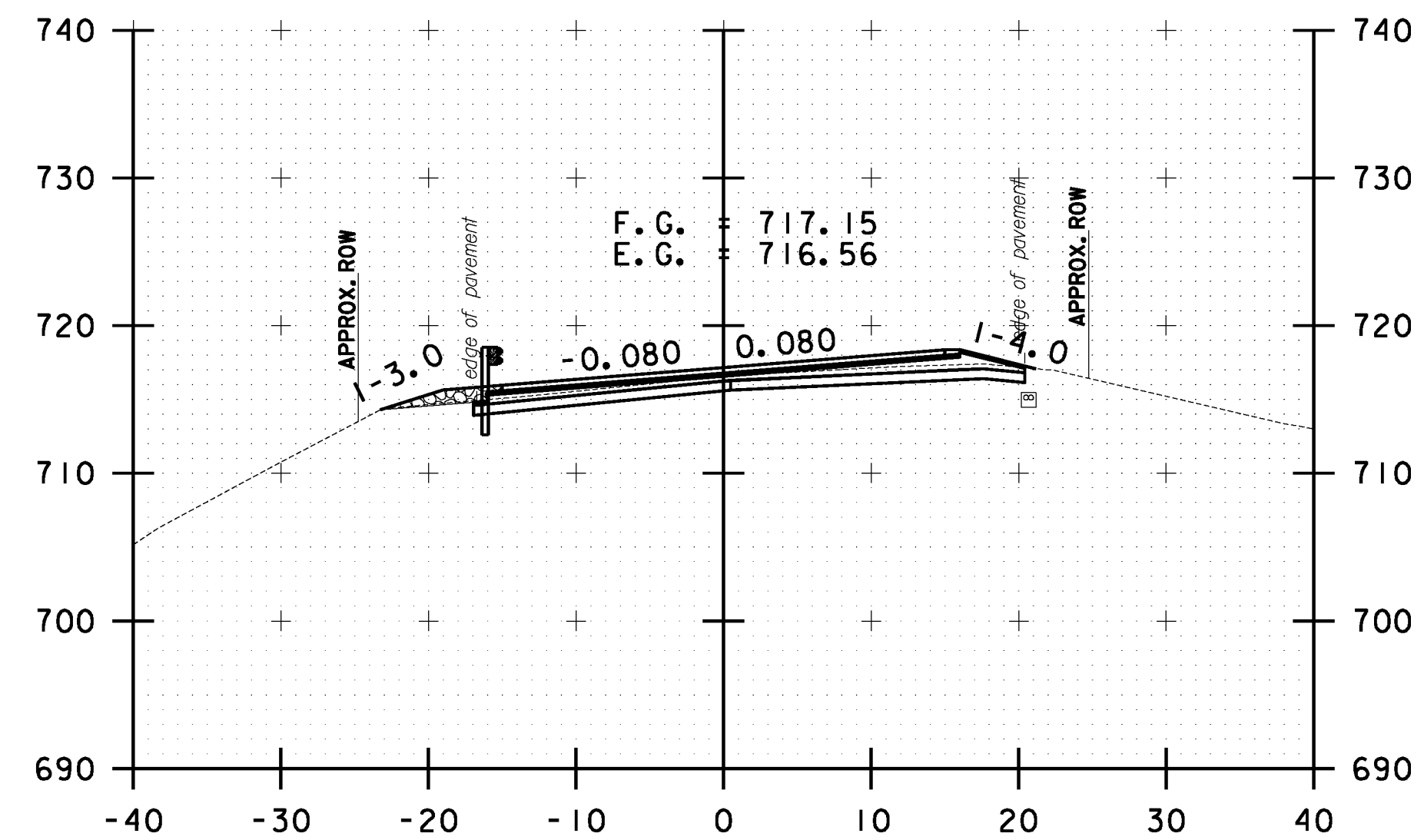
226+00.00



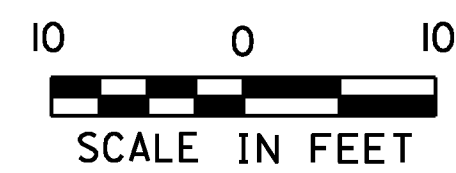
224+00.00



224+75.20



225+50.00



**STOCKBRIDGE  
 CROSS SECTION  
 SHEET #70**

PROJECT NAME: STOCKBRIDGE-BETHEL	PLOT DATE: 3/17/2014
PROJECT NUMBER: STP 2910(1)	DRAWN BY: W.G.P.
FILE NAME: z10b214_stock.xc.dgn	CHECKED BY: J.P.S.
DESIGNED BY: L.M.B.	SHEET 283 OF 397
IPARM FILE: z10b214xs70.1	