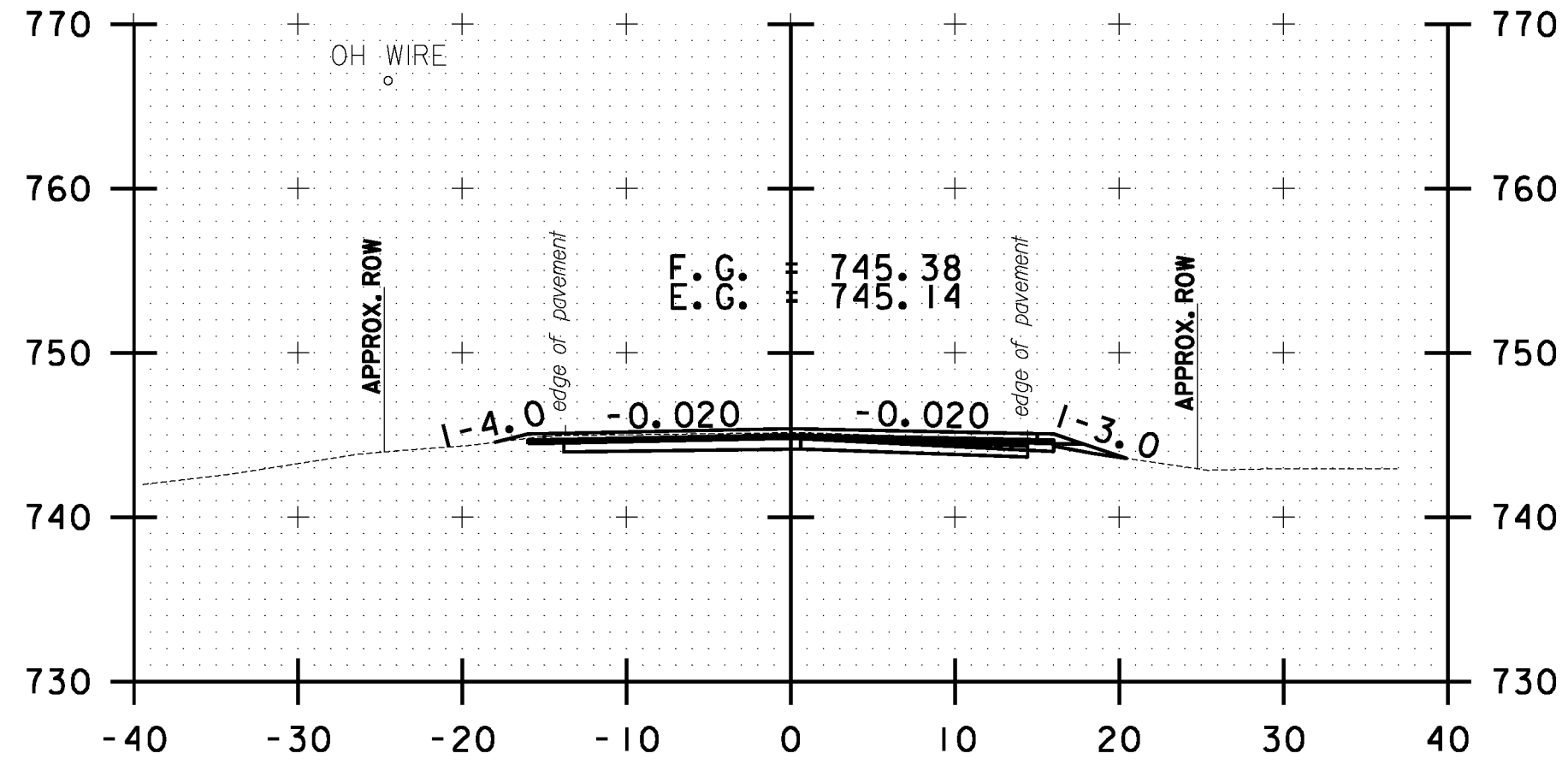
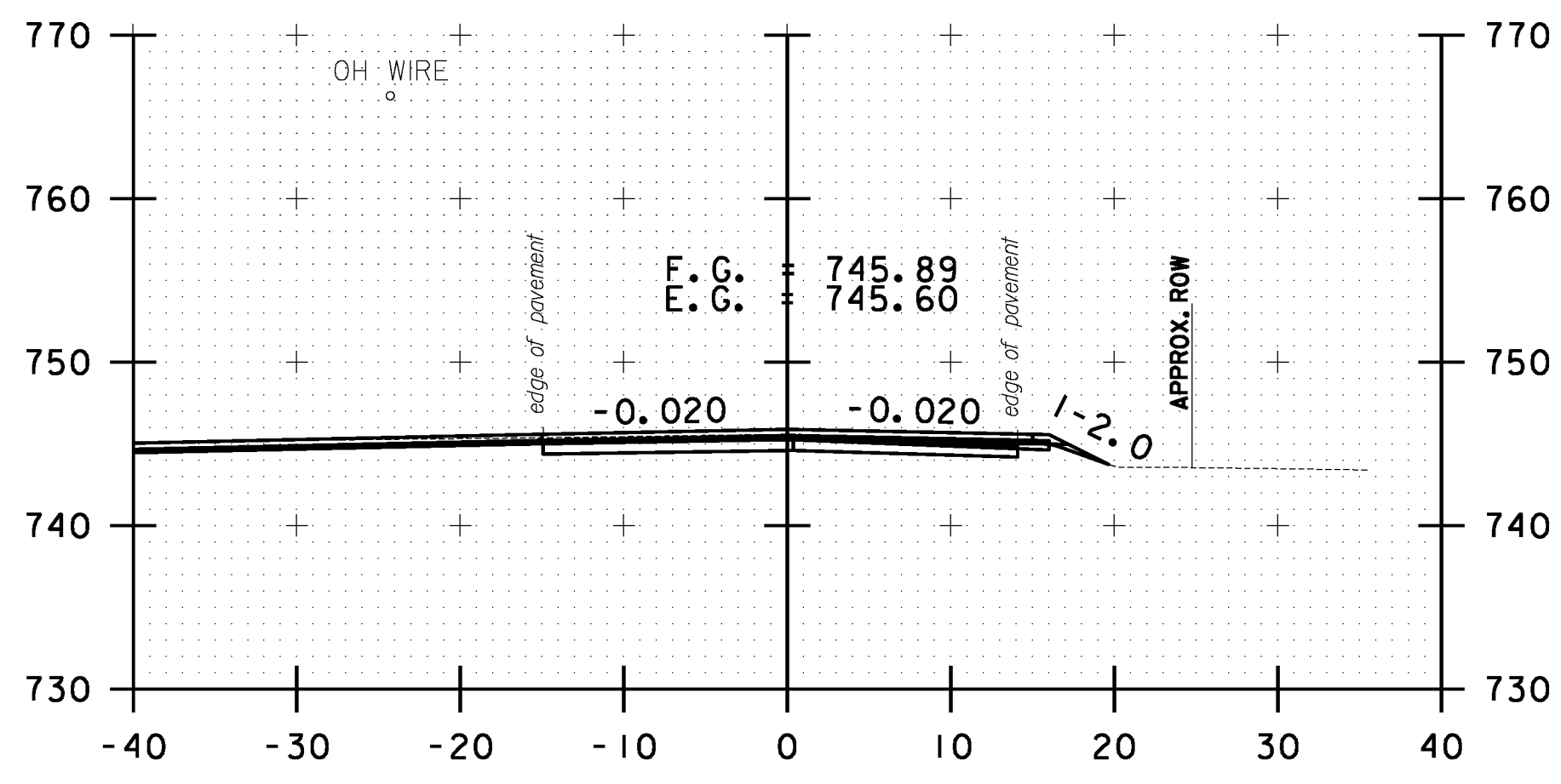


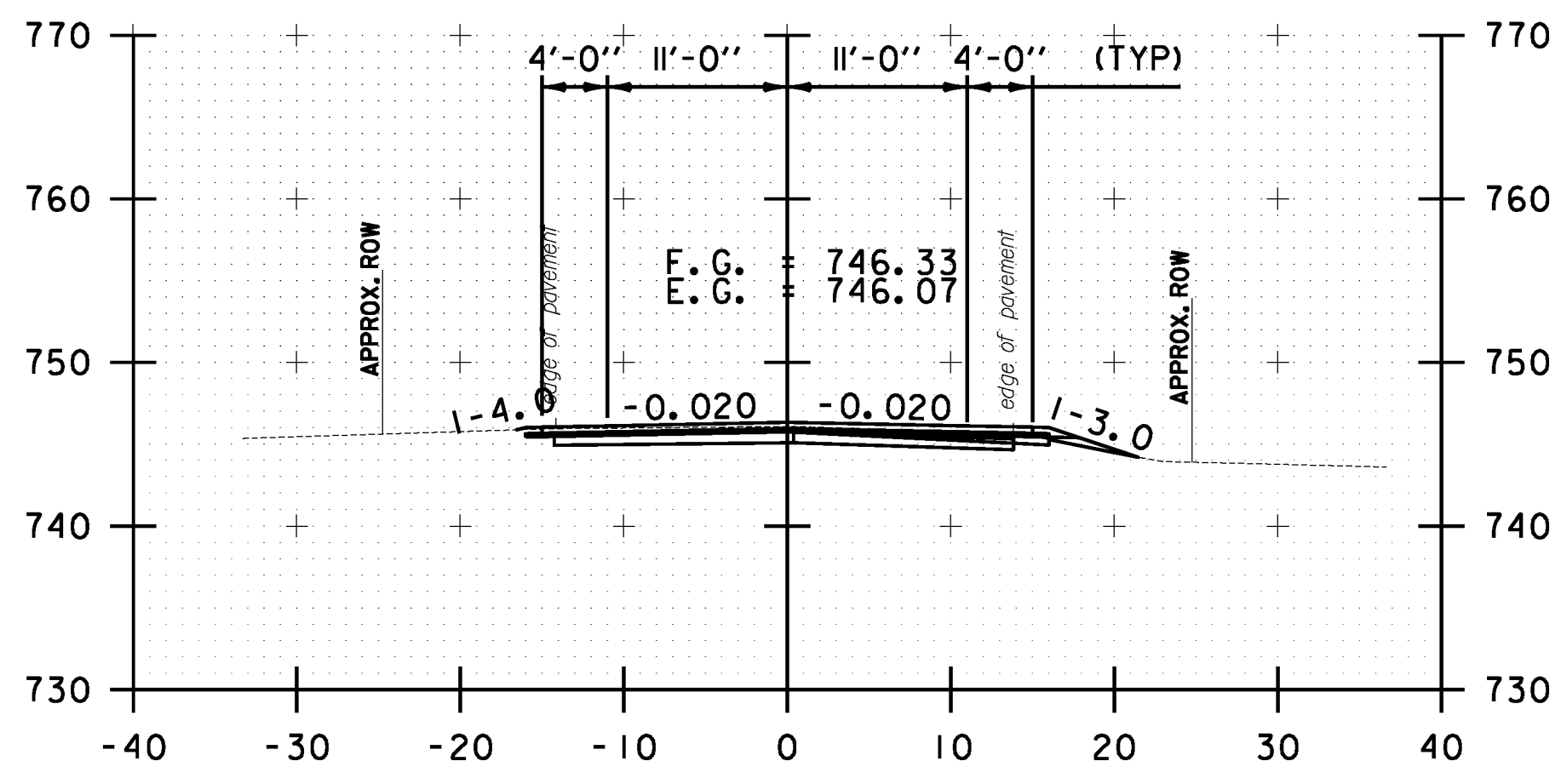
FILE NAME = Y:\P\c\ass\ANY\X2\22425\CADD\MSTN10b214\_stock.nc.dgn  
 DATE/TIME = 3/17/2014  
 USER = 4916



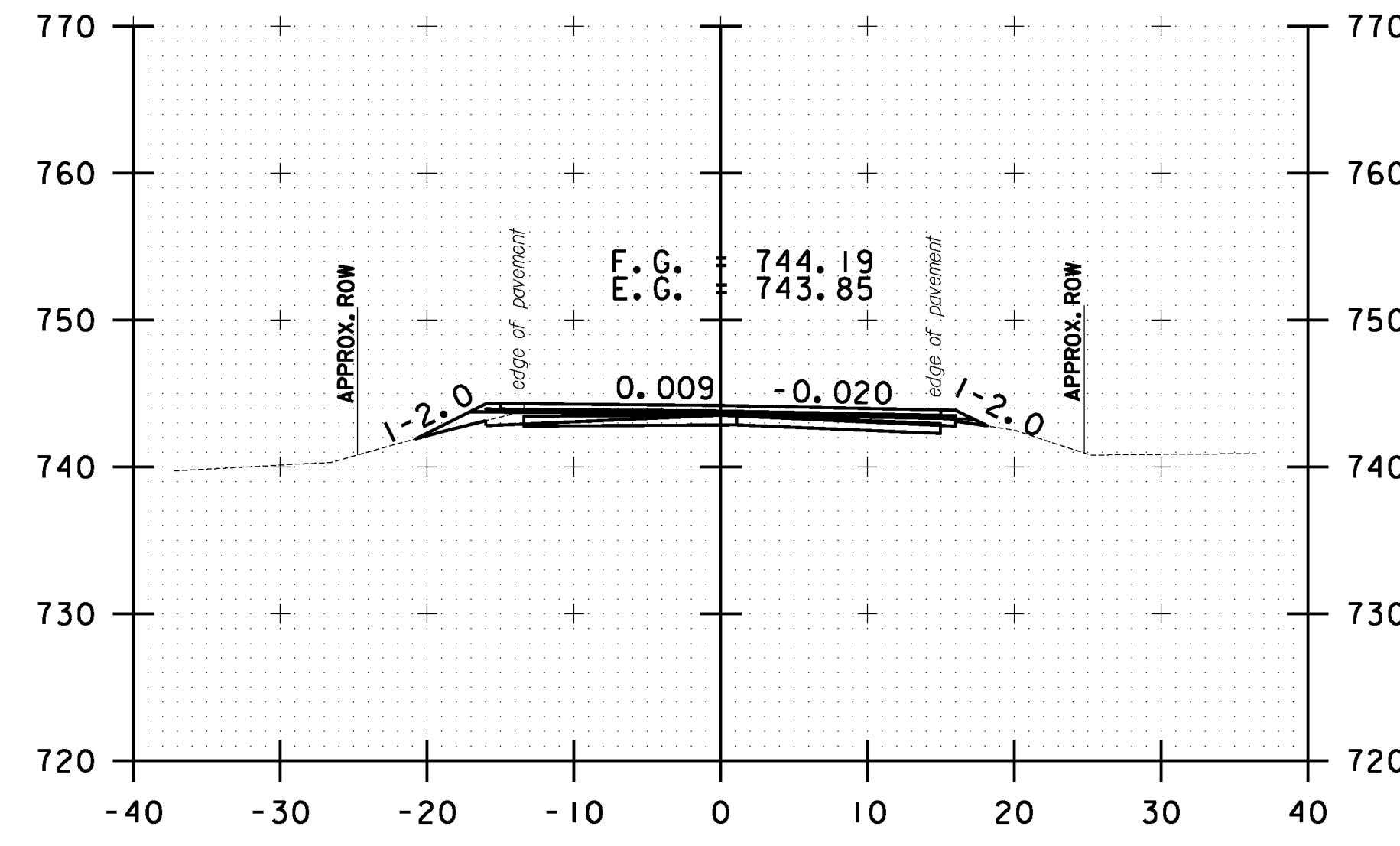
157+50.00



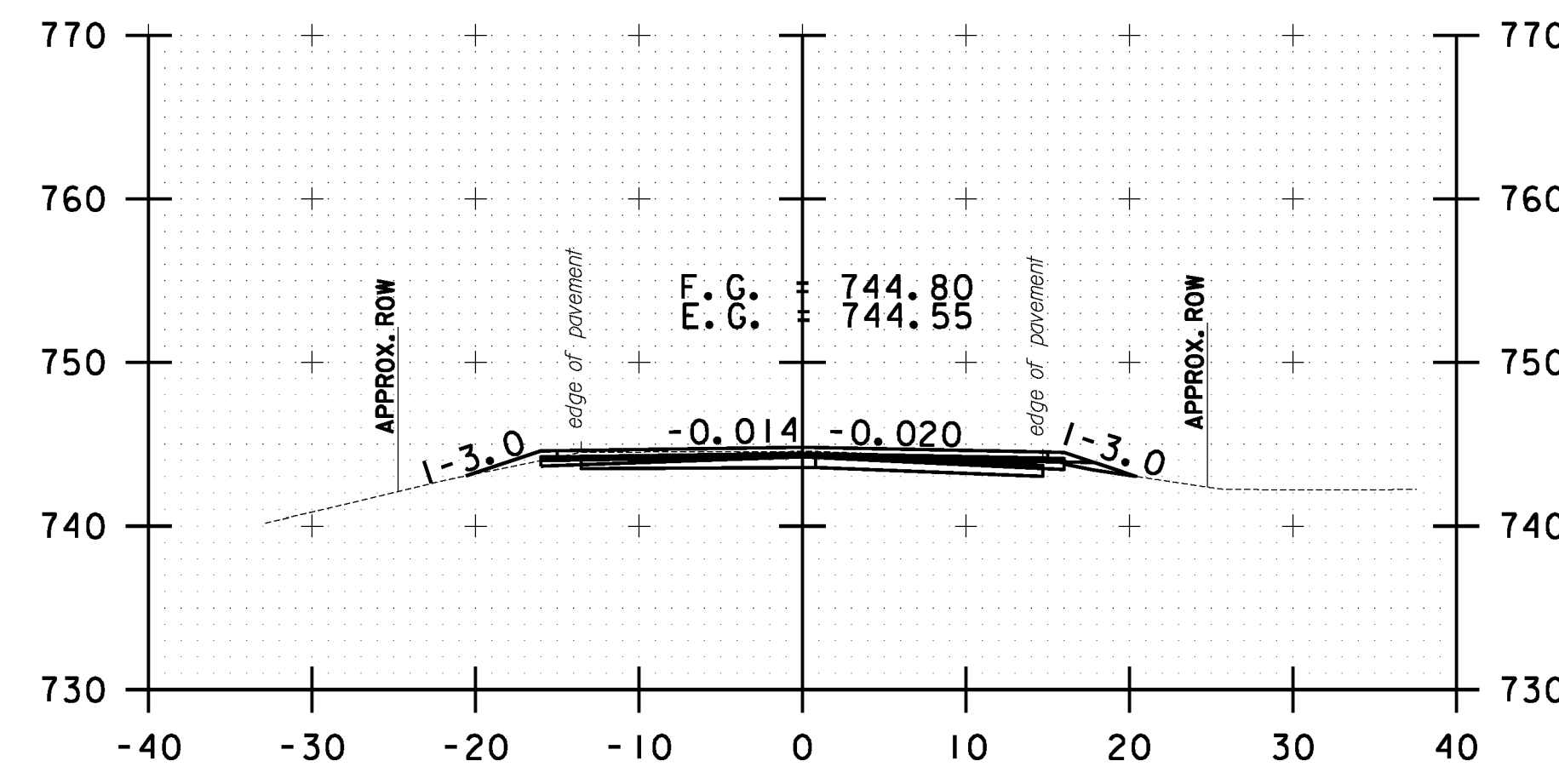
157+00.00



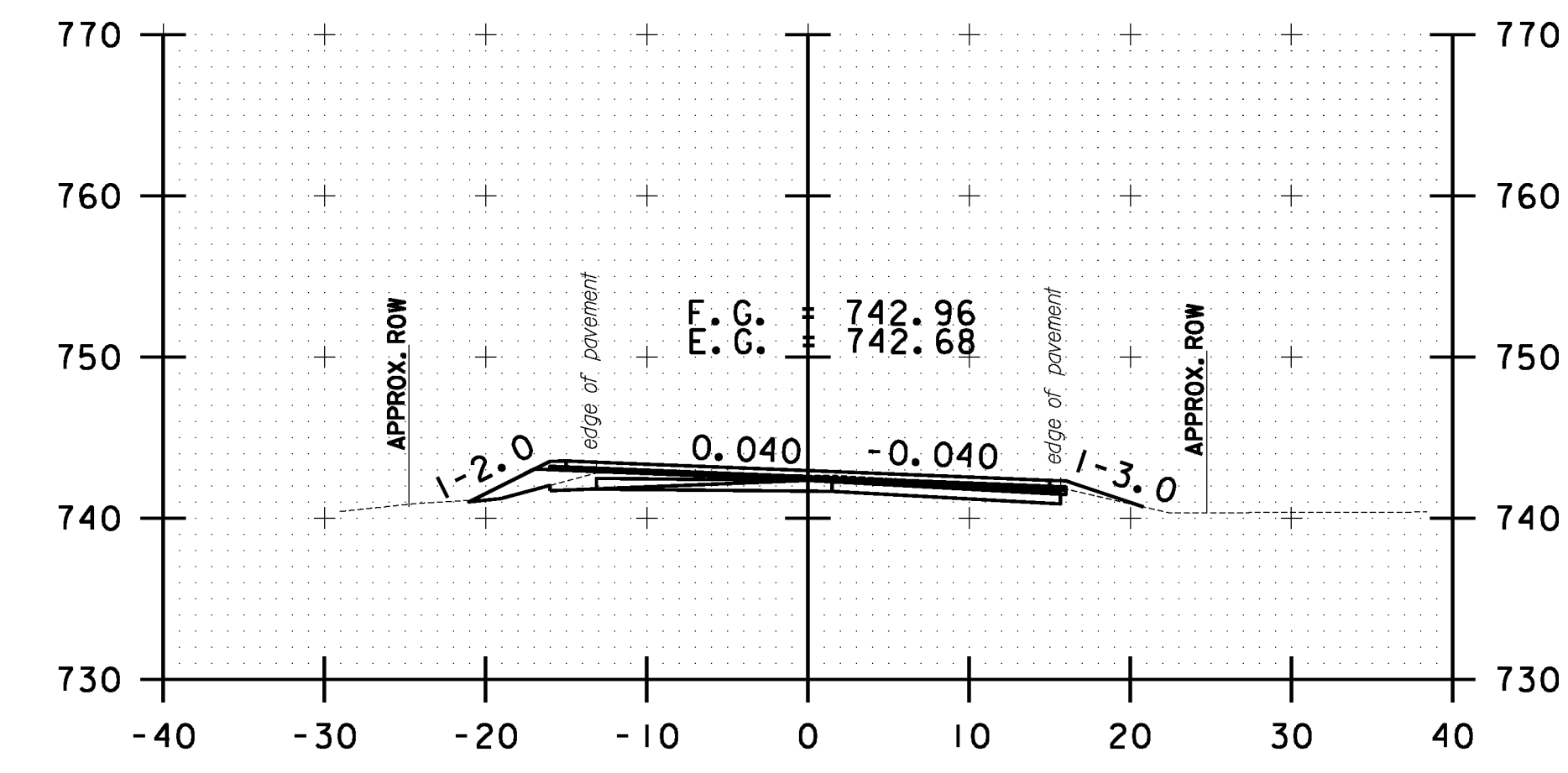
156+50.00



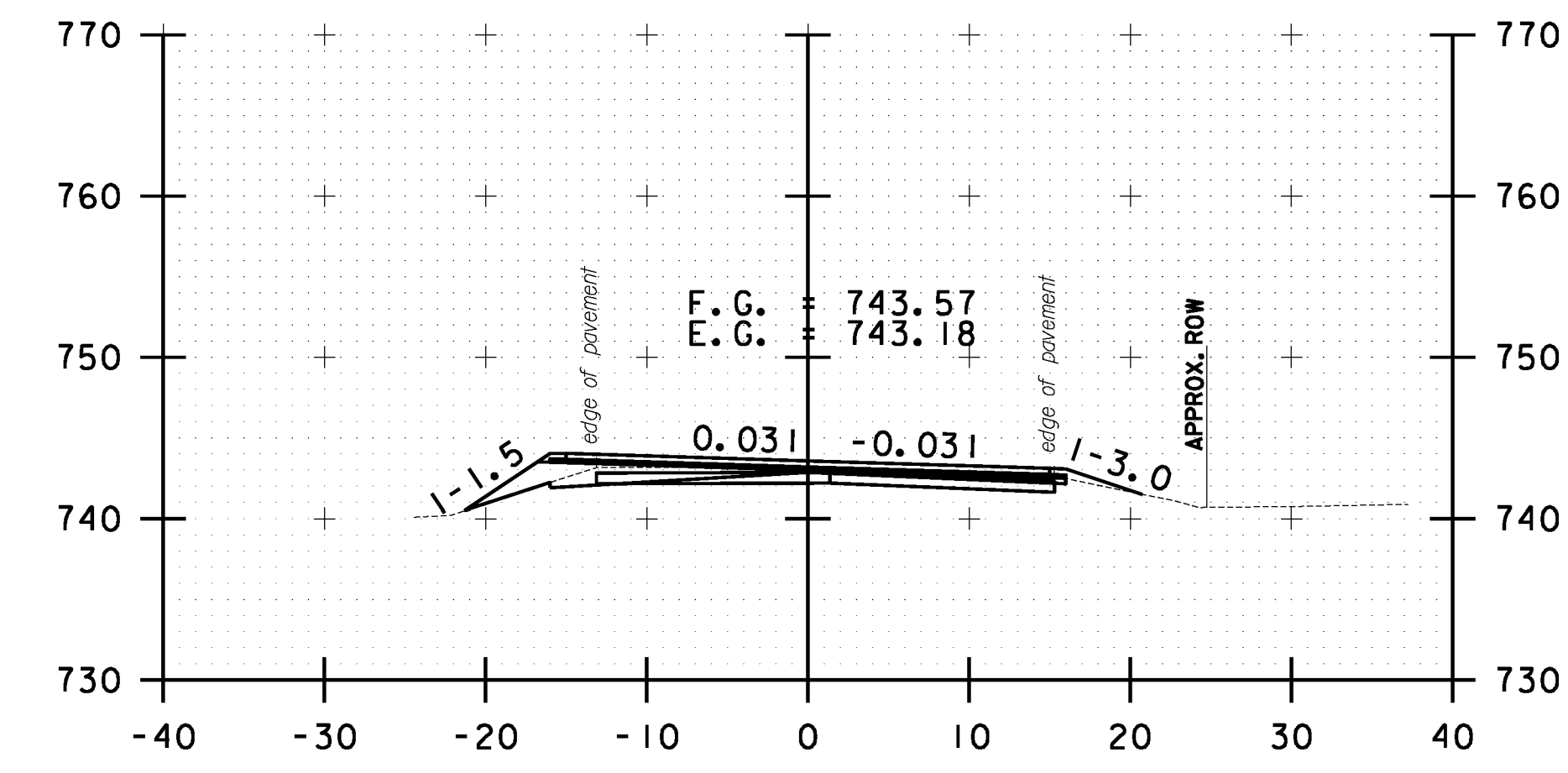
158+50.00



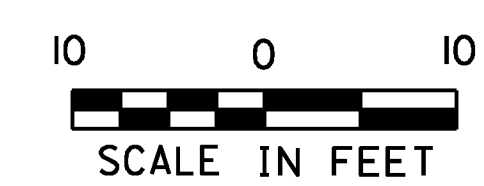
158+00.00



159+50.00



159+00.00



|  |                                  |
|--|----------------------------------|
| <b>STOCKBRIDGE<br/>CROSS SECTION<br/>SHEET #52</b> | PROJECT NAME: STOCKBRIDGE-BETHEL |
|  | PROJECT NUMBER: STP 2910(1)      |
|  | FILE NAME: z10b214_stock.xc.dgn  |
| DESIGNED BY: L.M.B.                                | PLOT DATE: 3/17/2014             |
| IPARM FILE: z10b214xs52.1                          | DRAWN BY: W.G.P.                 |
|  | CHECKED BY: J.P.S.               |
|  | SHEET 265 OF 397                 |