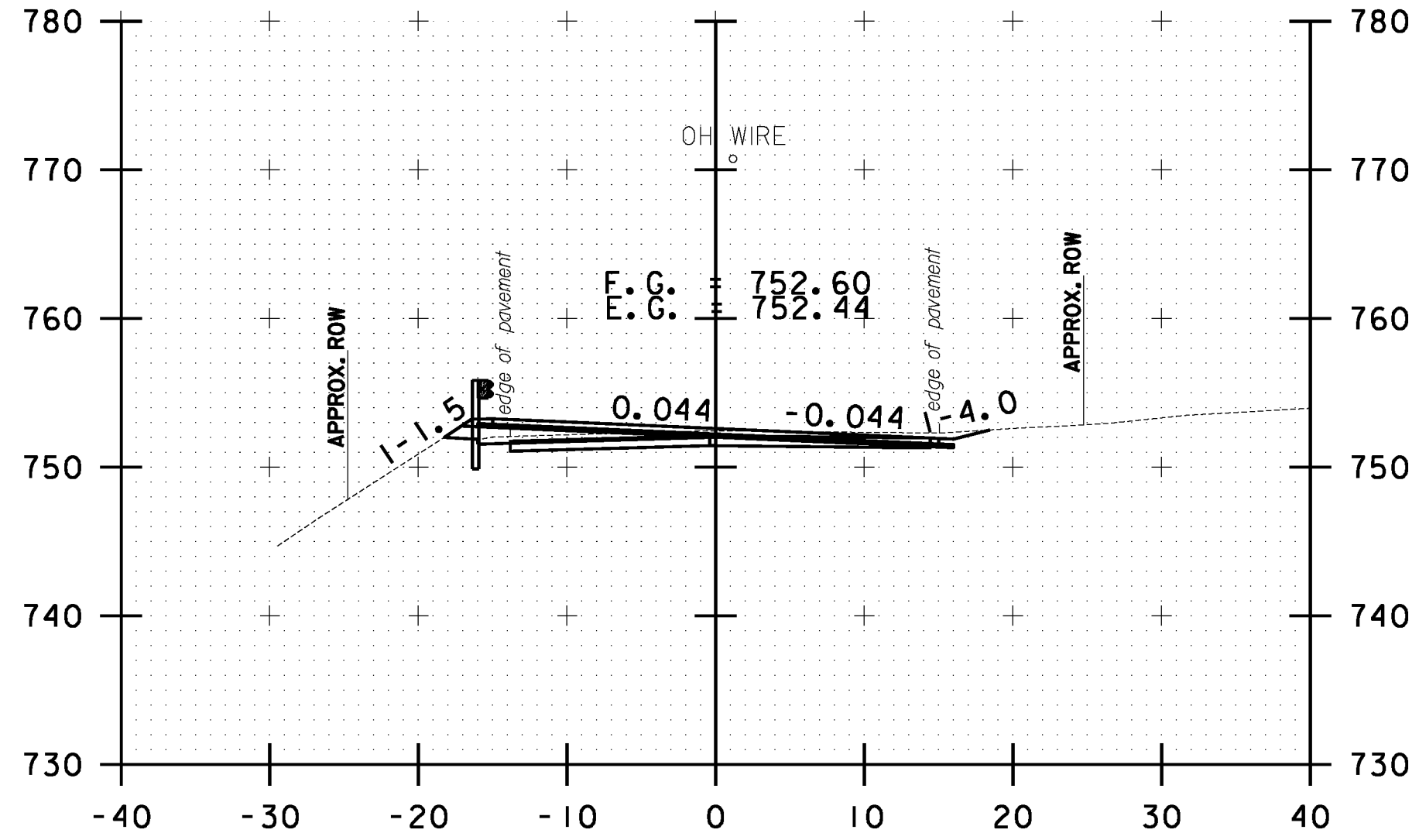
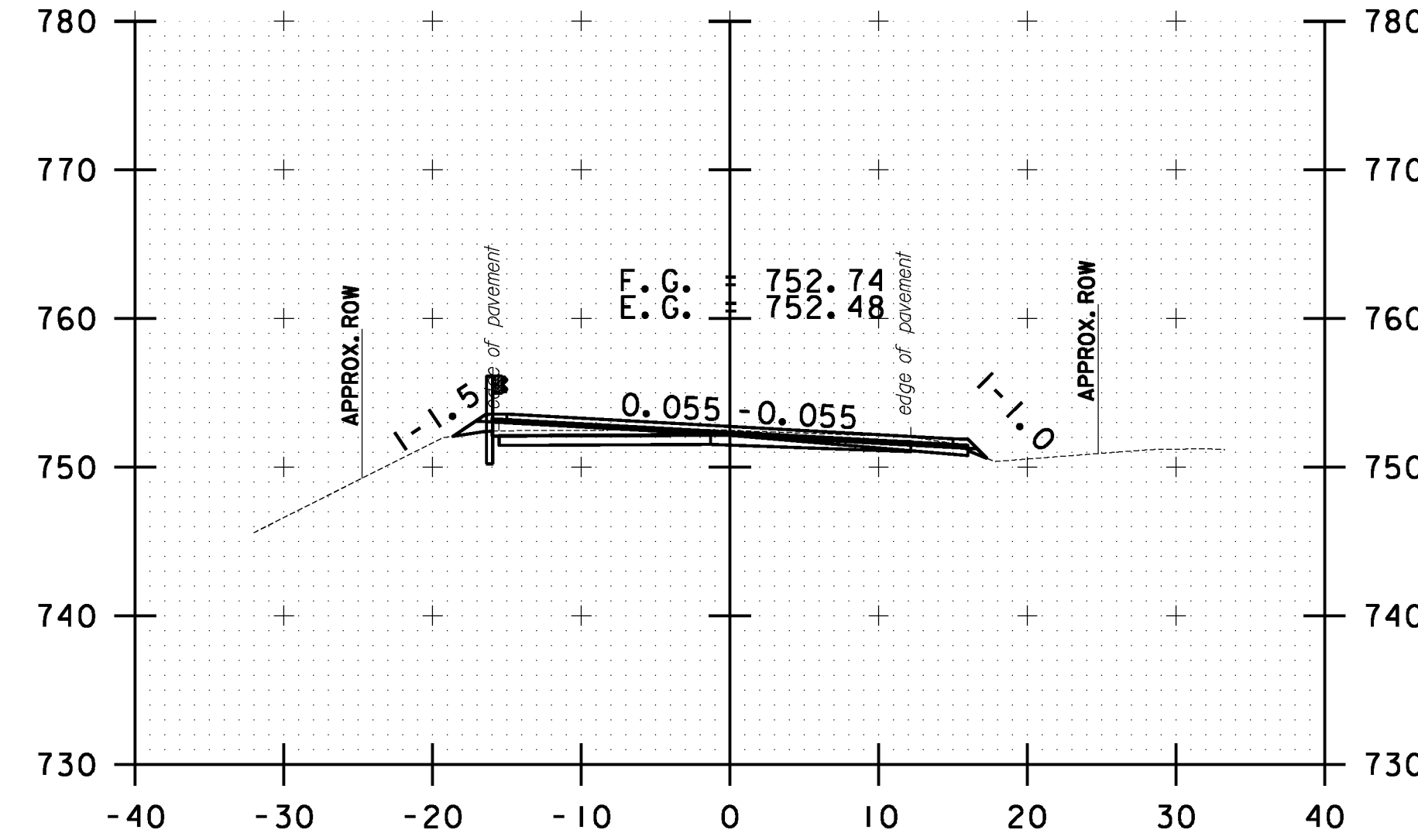


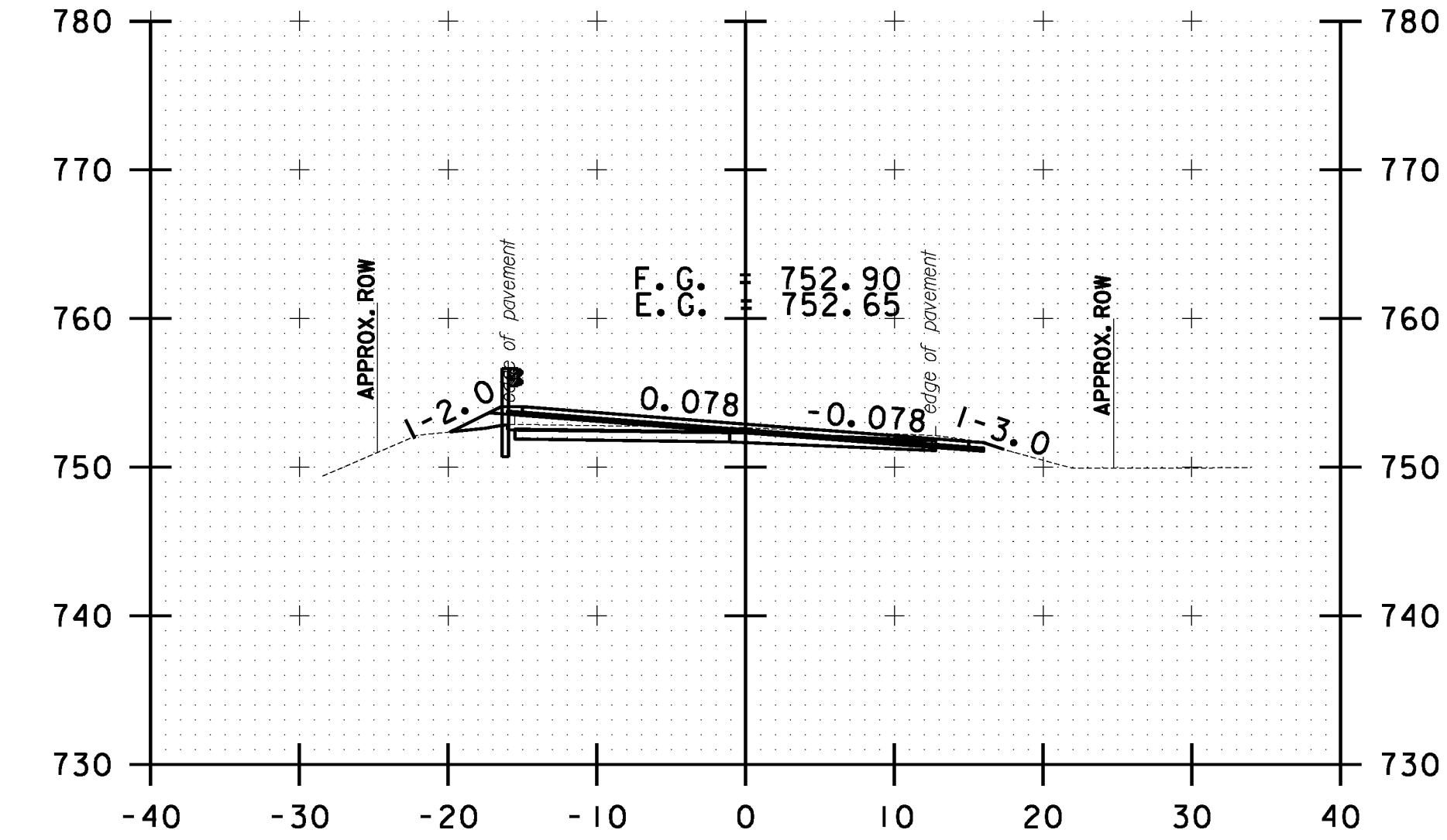
FILE NAME = V:\P\c\g\ss\ANY\K2\22425\CADD\MSTN\10b214_stock_xc.dgn
 DATE/TIME = 3/17/2014
 USER = 4916



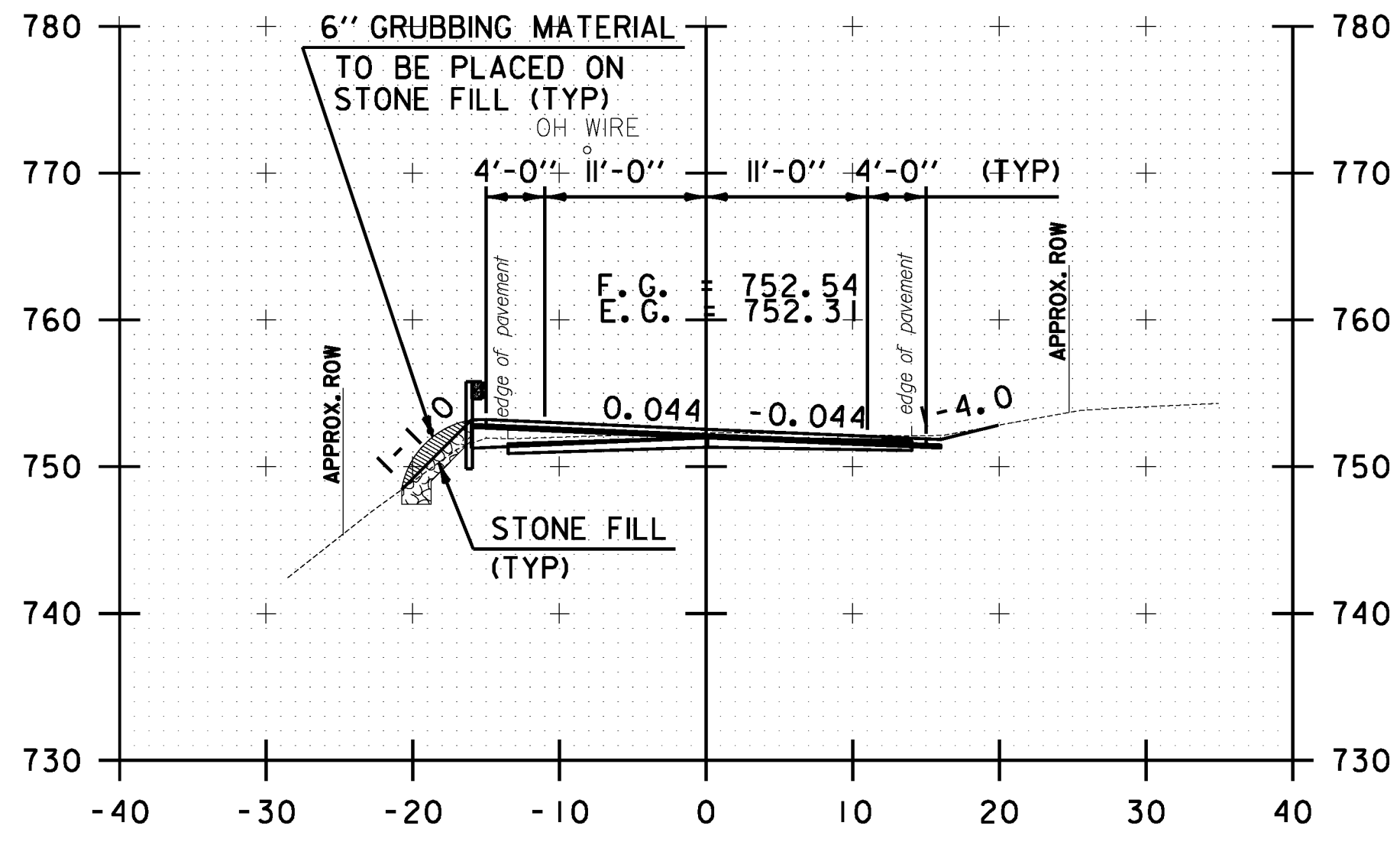
144+00.00



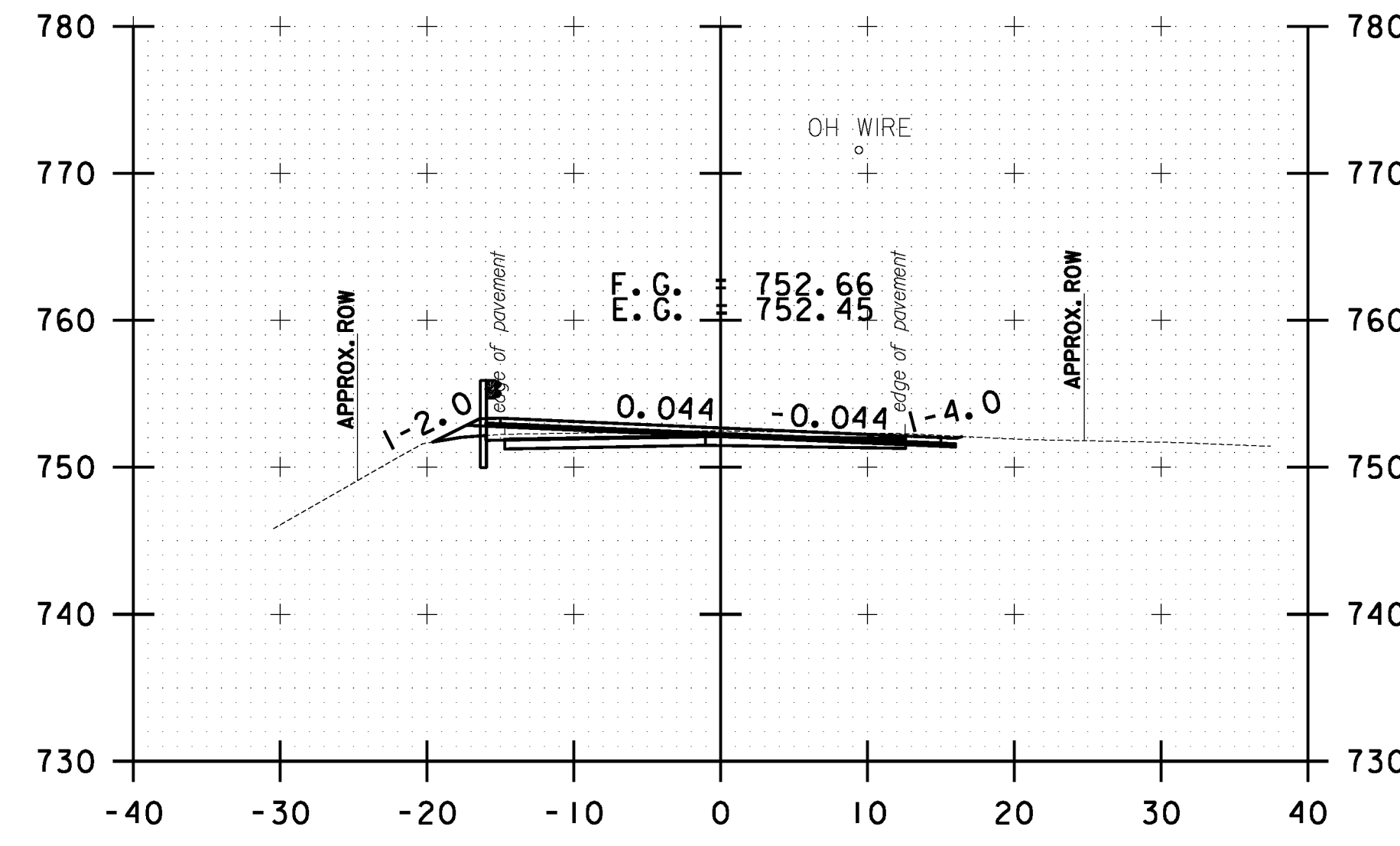
145+00.00



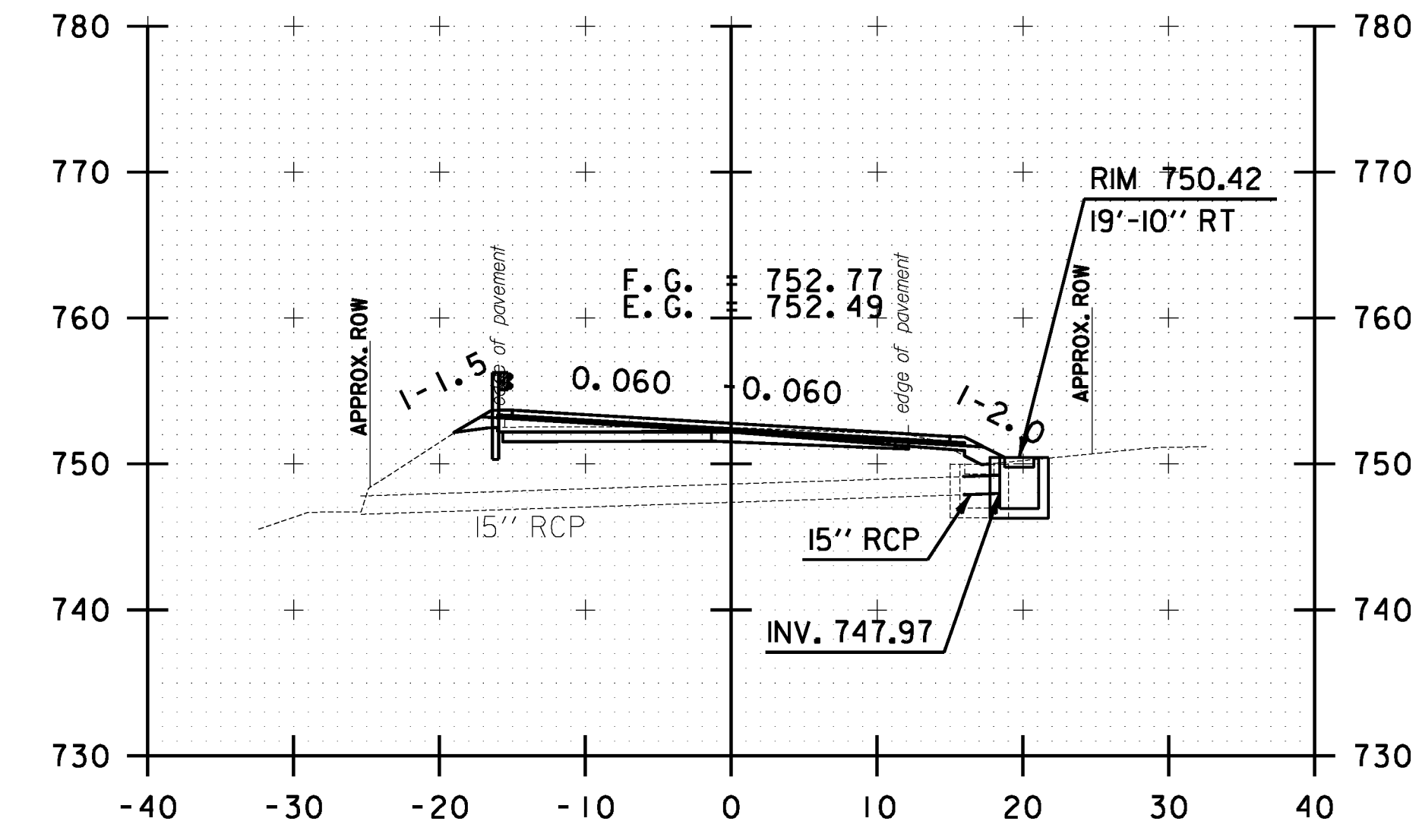
145+50.00



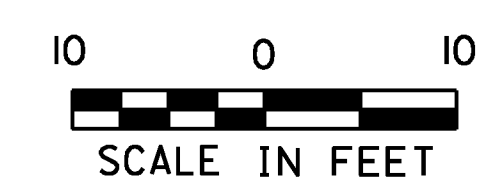
143+50.00



144+50.00



145+10.10



STOCKBRIDGE CROSS SECTION SHEET #48	PROJECT NAME: STOCKBRIDGE-BETHEL
	PROJECT NUMBER: STP 2910(1)
	FILE NAME: z10b214_stock_xc.dgn
	IPARM FILE: z10b214xs48.1
	PLOT DATE: 3/17/2014
	DRAWN BY: W.G.P.
	CHECKED BY: J.P.S.
	SHEET 261 OF 397