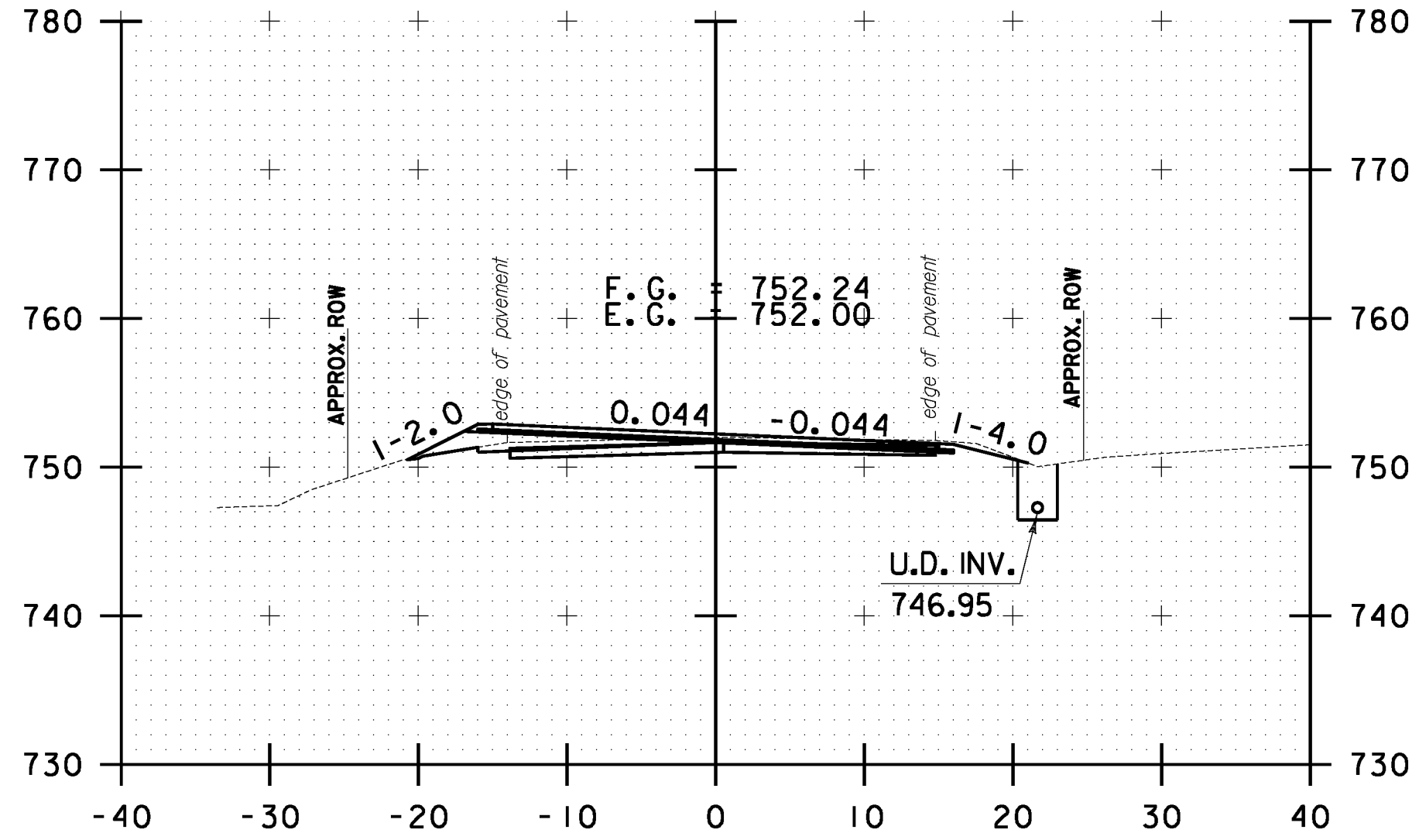
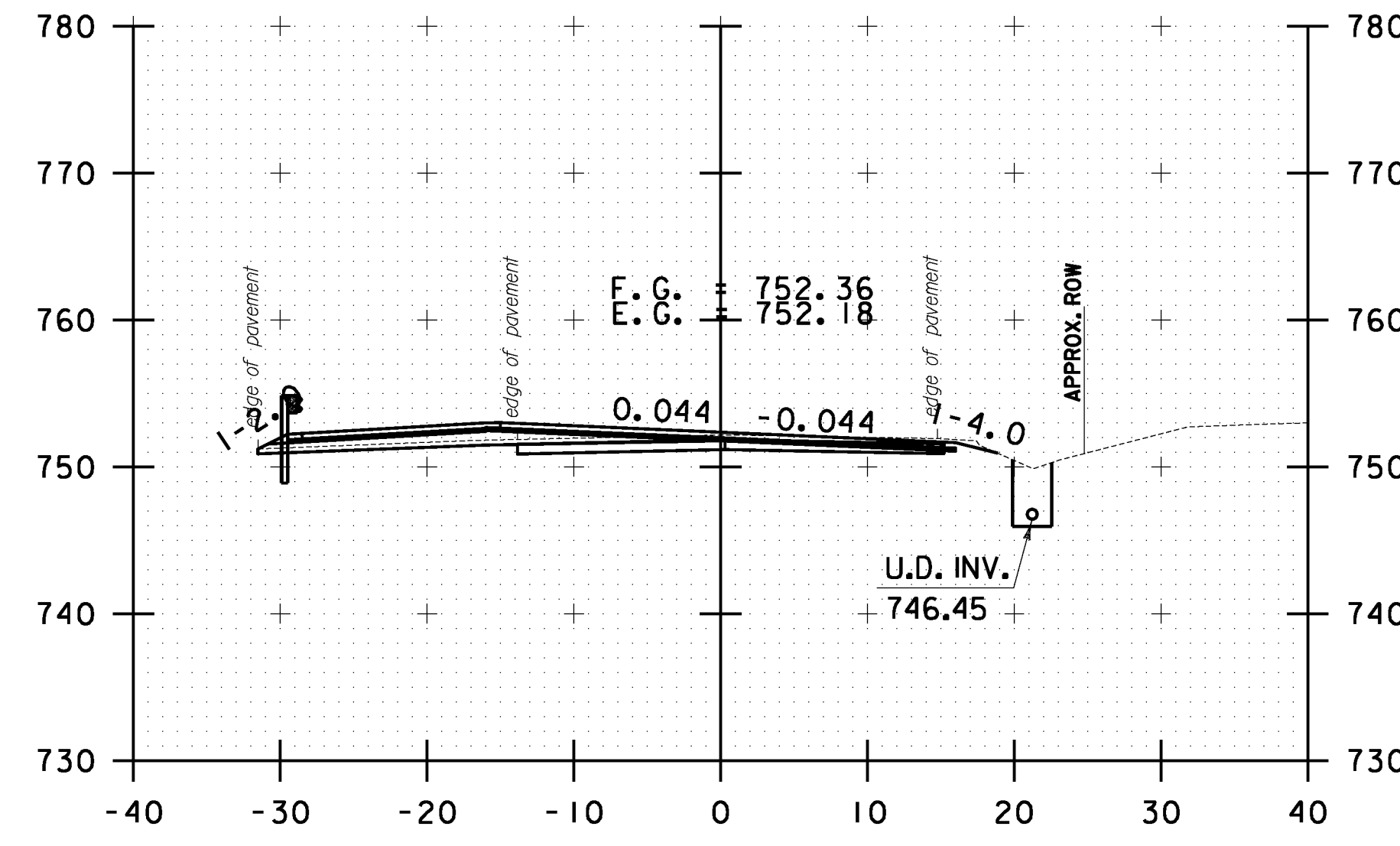


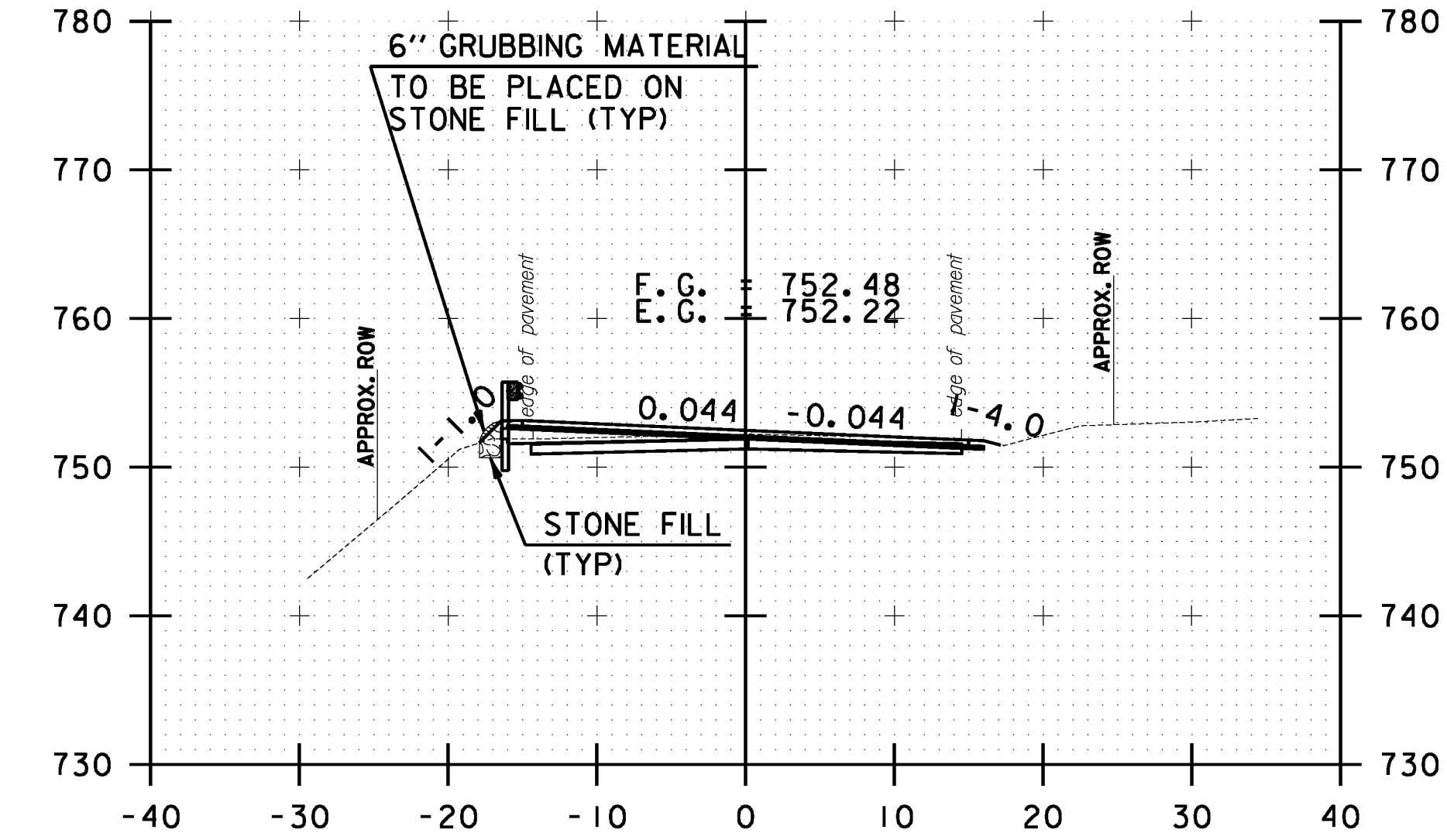
FILE NAME = Y:\P\c\ass\ANY\X2\22425\CA001\MSTN\10b214_stock.nc.dgn
 DATE/TIME = 3/17/2014
 USER = 4916



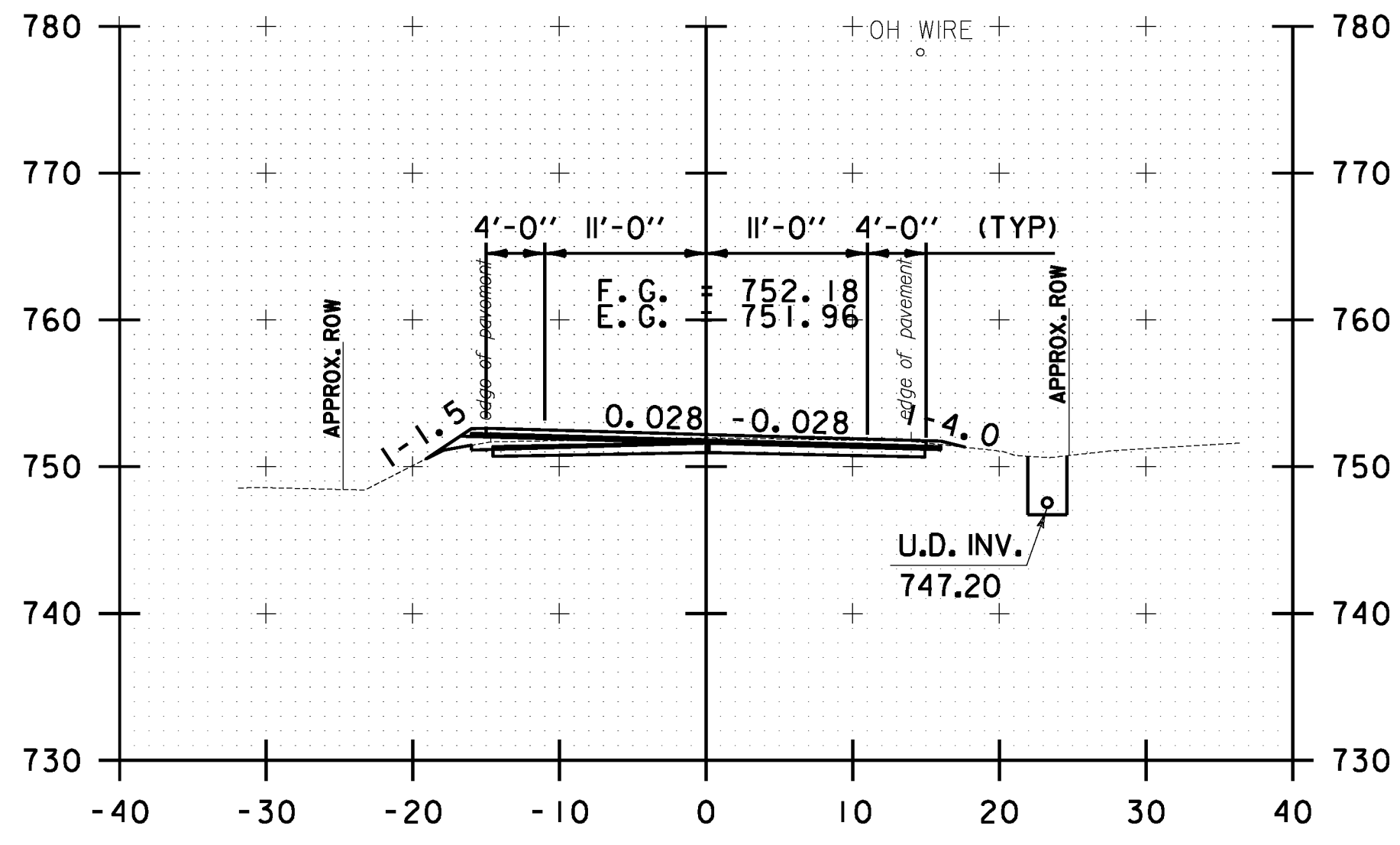
141+00.00



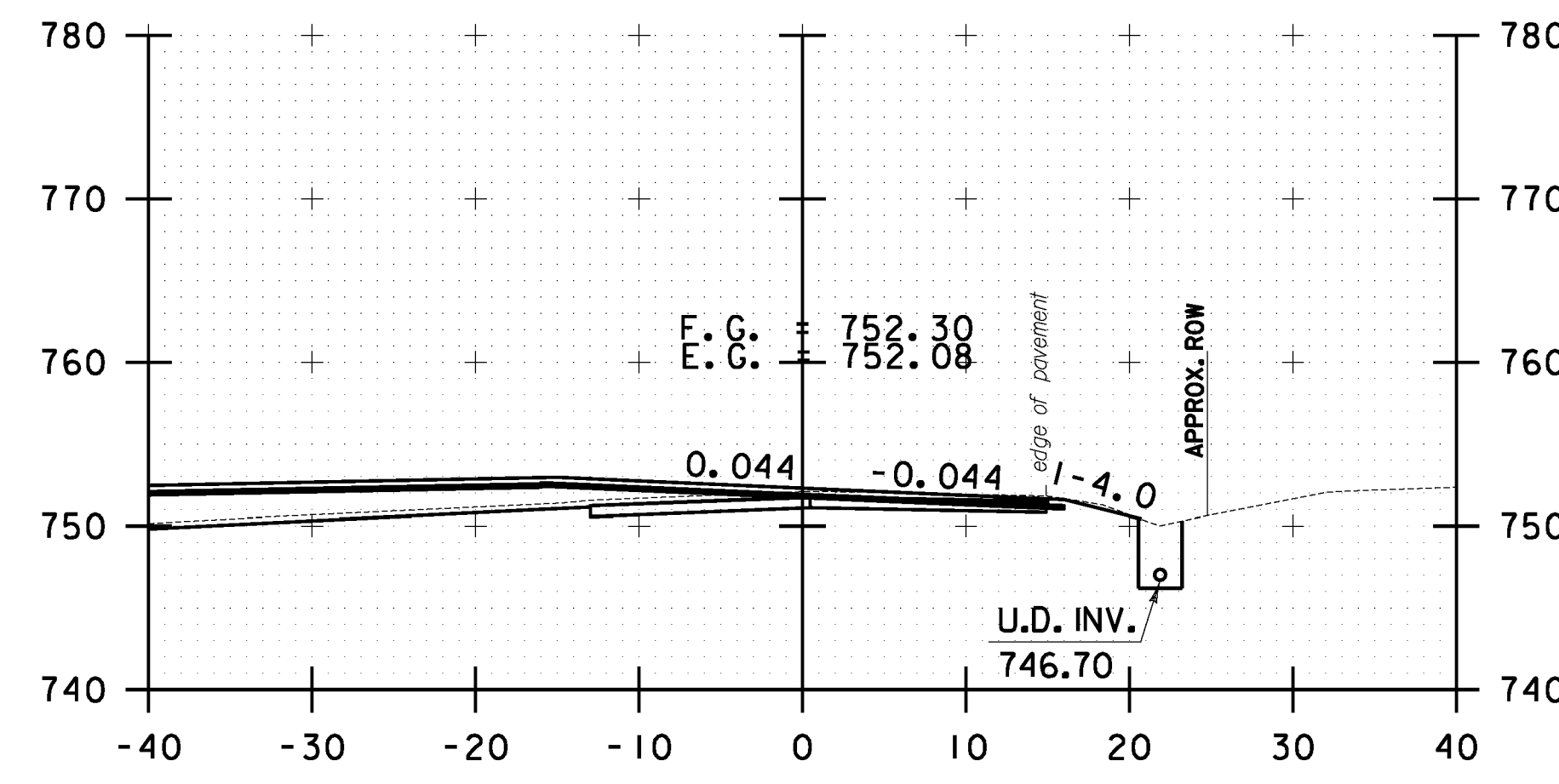
142+00.00



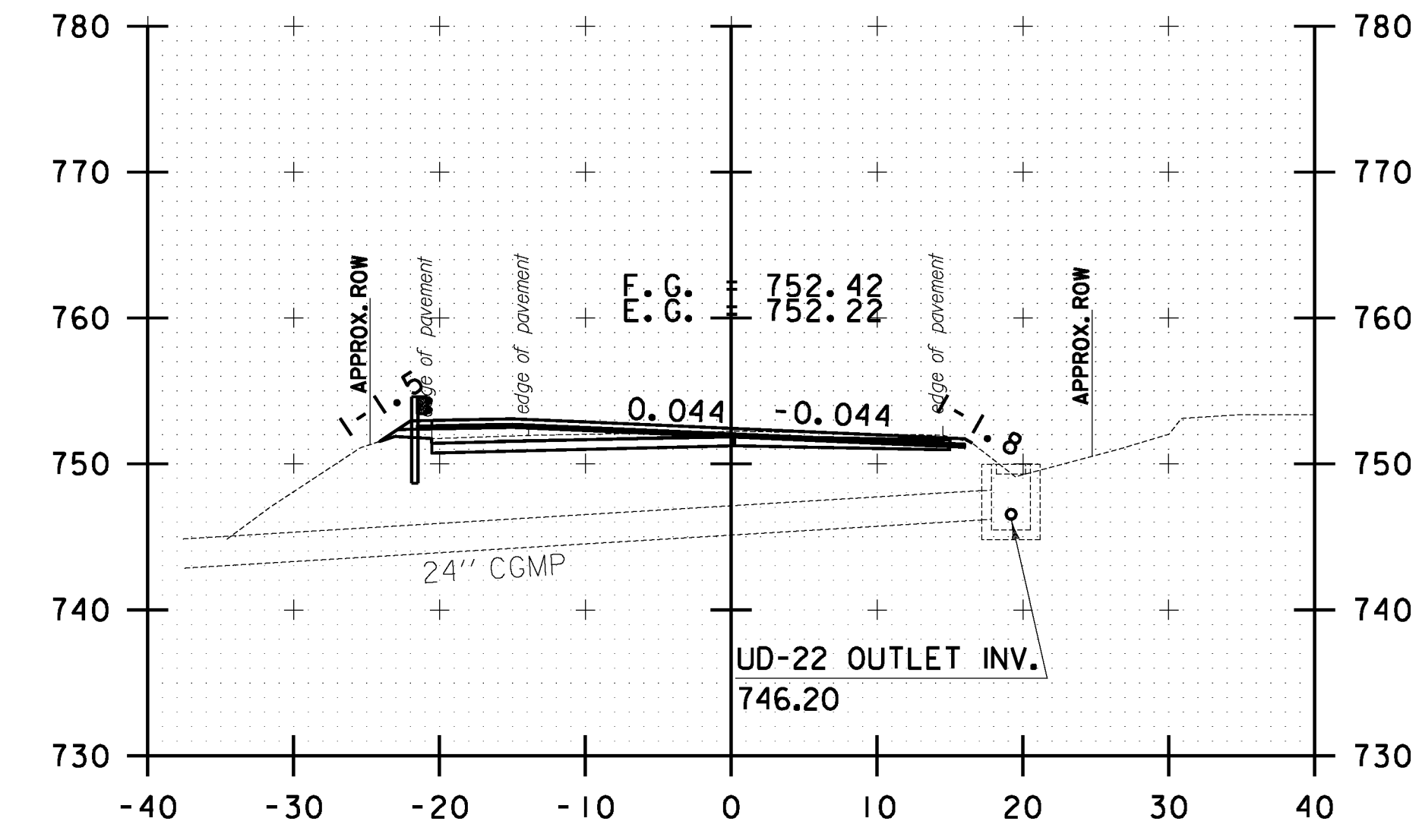
143+00.00



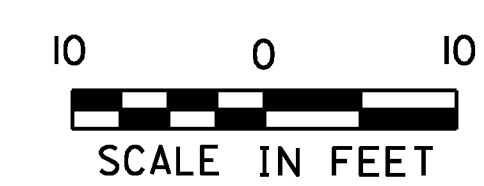
140+50.00



141+50.00



142+50.00



STOCKBRIDGE CROSS SECTION SHEET #47	PROJECT NAME: STOCKBRIDGE-BETHEL
	PROJECT NUMBER: STP 2910(1)
	FILE NAME: z10b214_stock.xc.dgn
	IPARM FILE: z10b214xs47.1
	PLOT DATE: 3/17/2014
	DRAWN BY: W.G.P.
	CHECKED BY: J.P.S.
	SHEET 260 OF 397