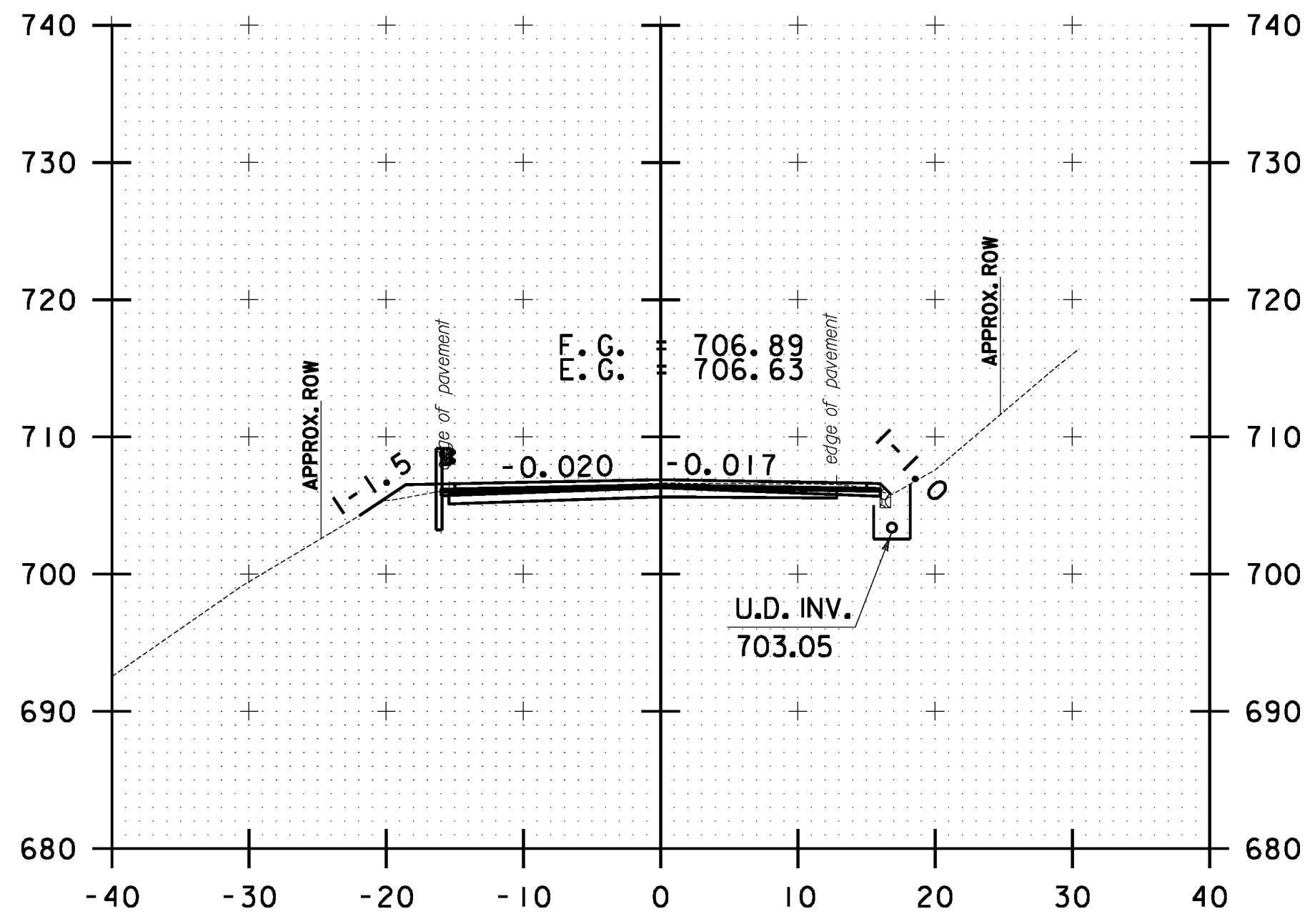
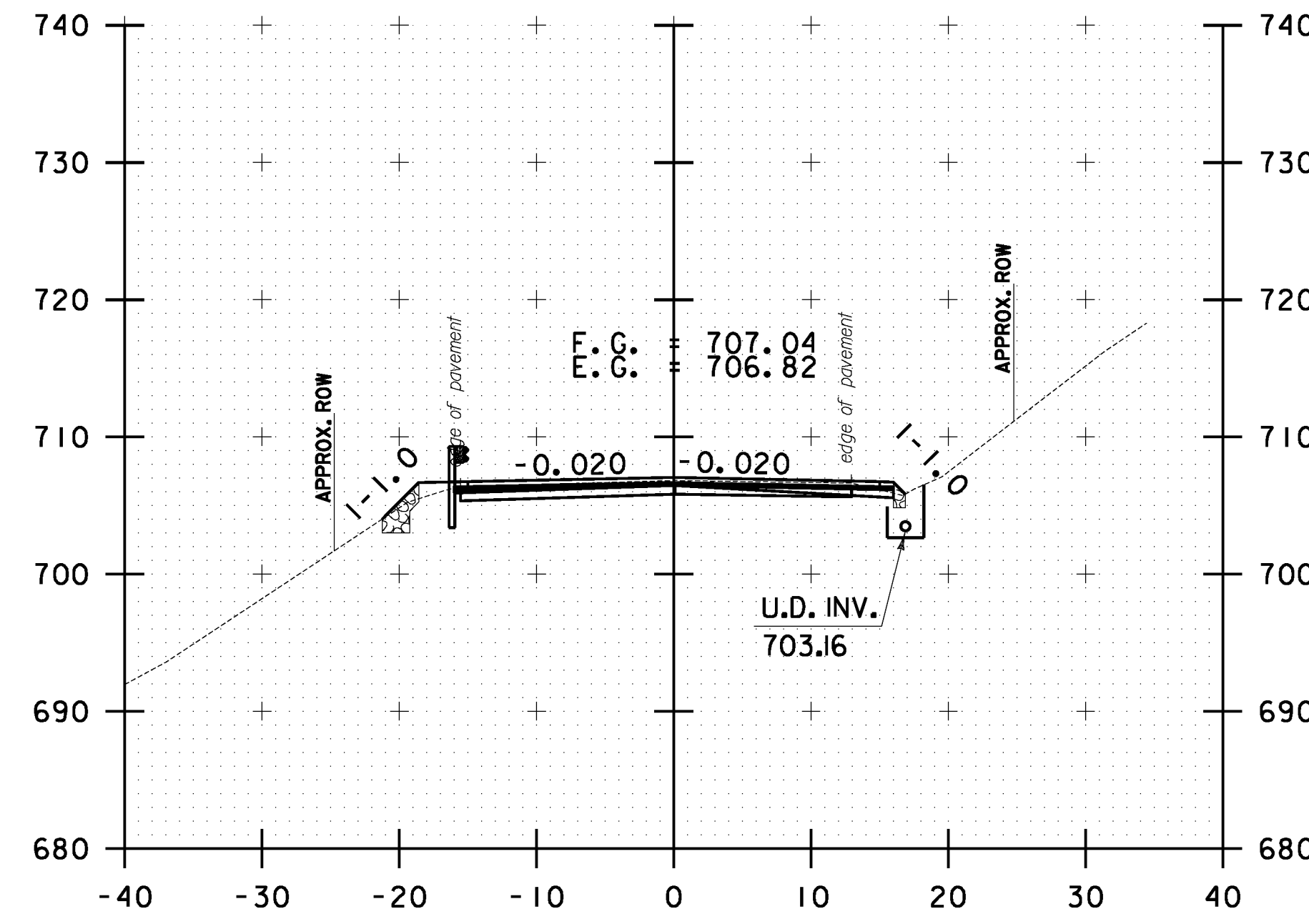


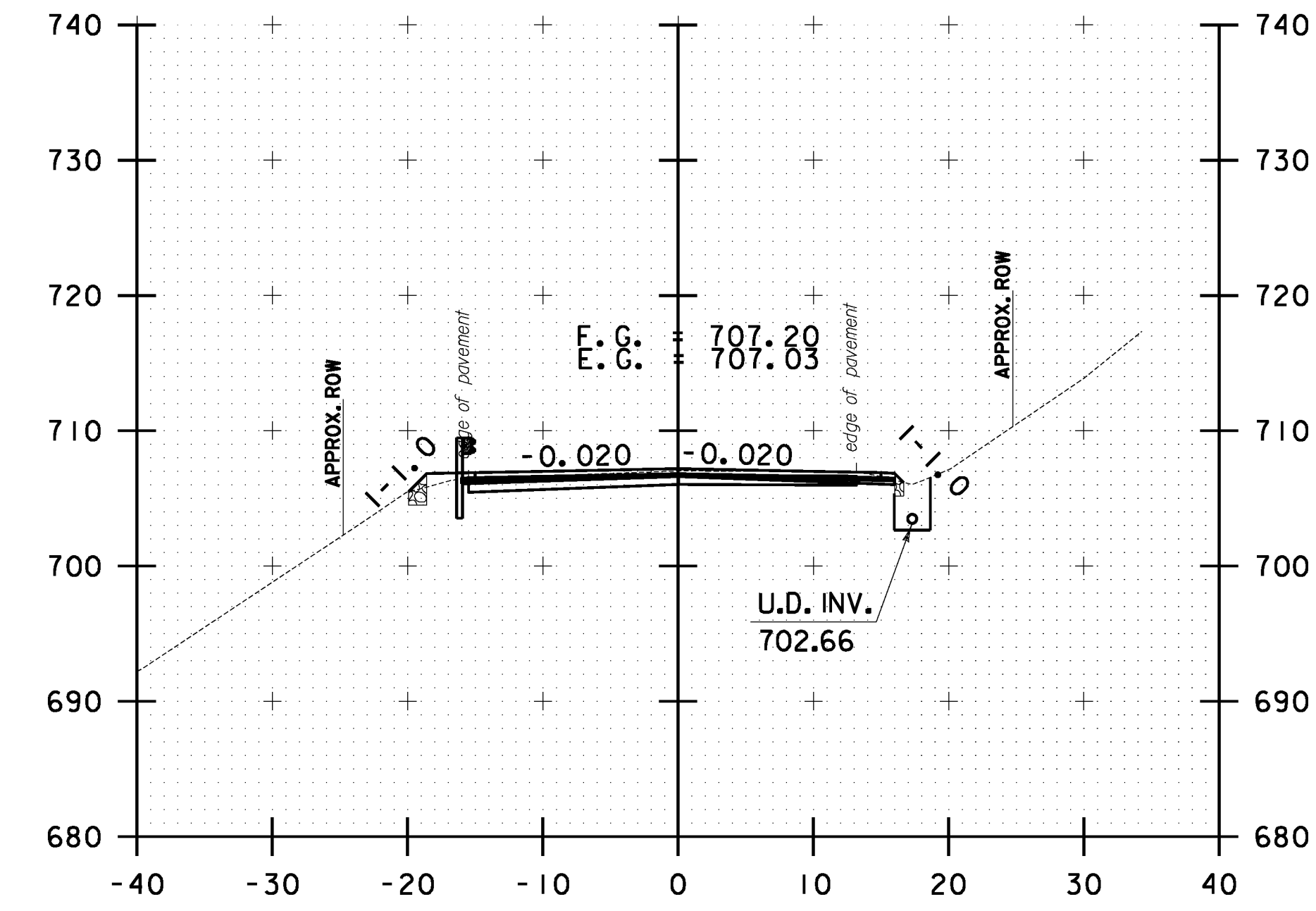
FILE NAME = V:\P\c\res\any\k2\22425\CAOD\...MSTN\10b214_stock_xc.dgn
 DATE/TIME = 3/17/2014
 USER = 4916



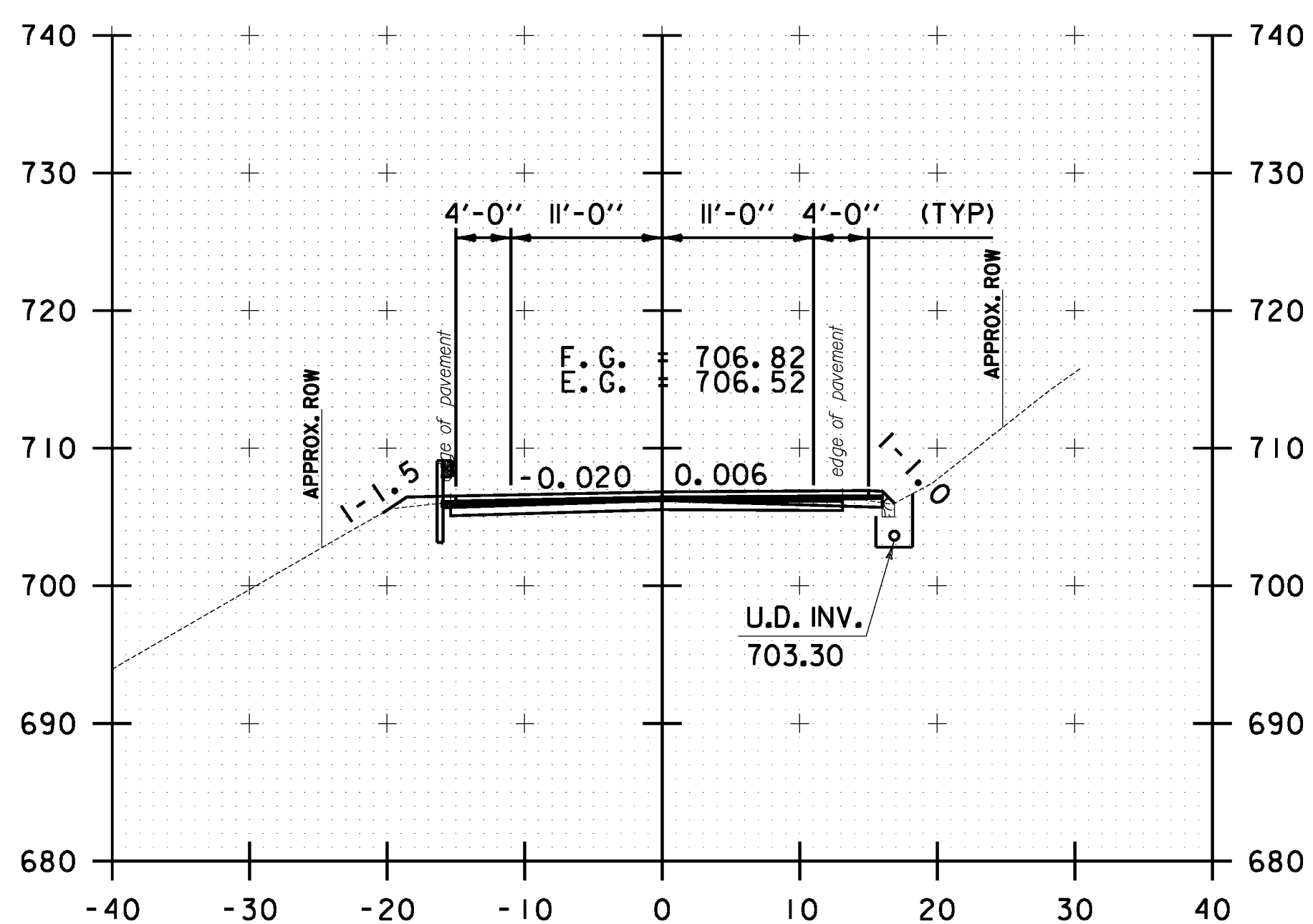
117+00.00



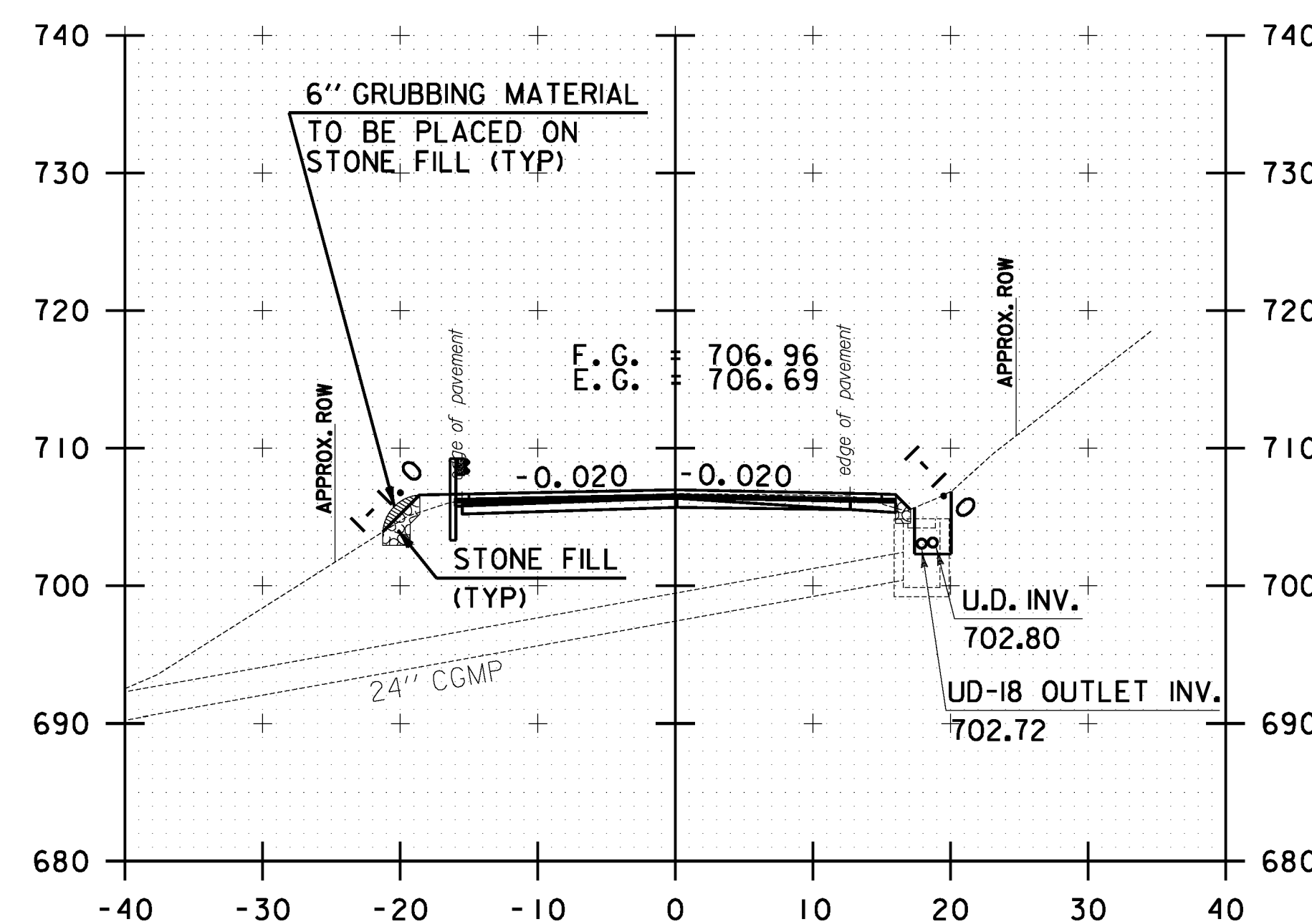
118+00.00



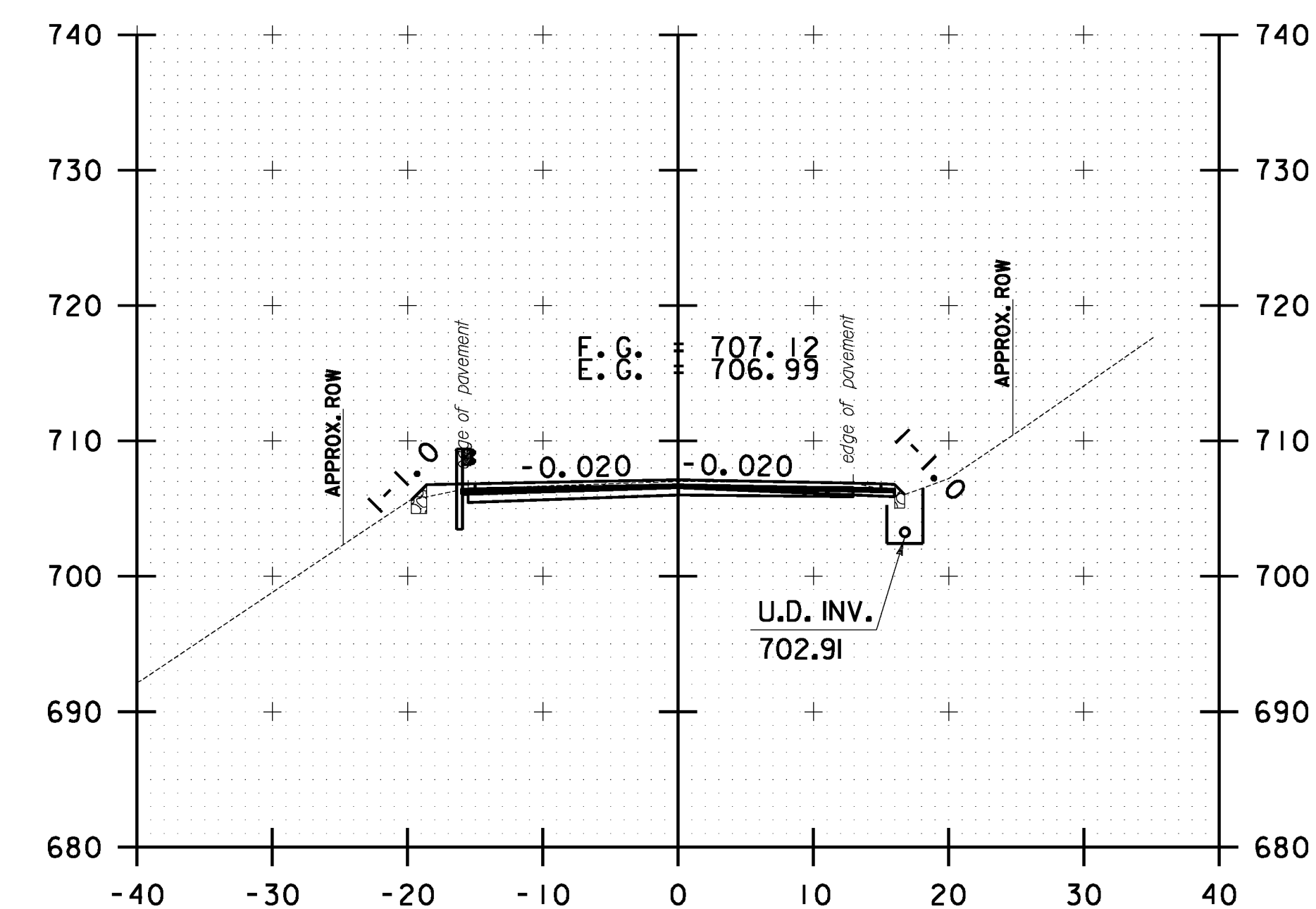
119+00.00



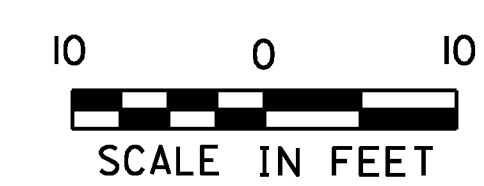
116+50.00



117+50.00



118+50.00



STOCKBRIDGE CROSS SECTION SHEET #39	PROJECT NAME: STOCKBRIDGE-BETHEL
	PROJECT NUMBER: STP 2910(1)
	FILE NAME: z10b214_stock_xc.dgn
	IPARM FILE: z10b214xs39.1
	PLOT DATE: 3/17/2014
	DRAWN BY: W.G.P.
	CHECKED BY: J.P.S.
	SHEET 252 OF 397