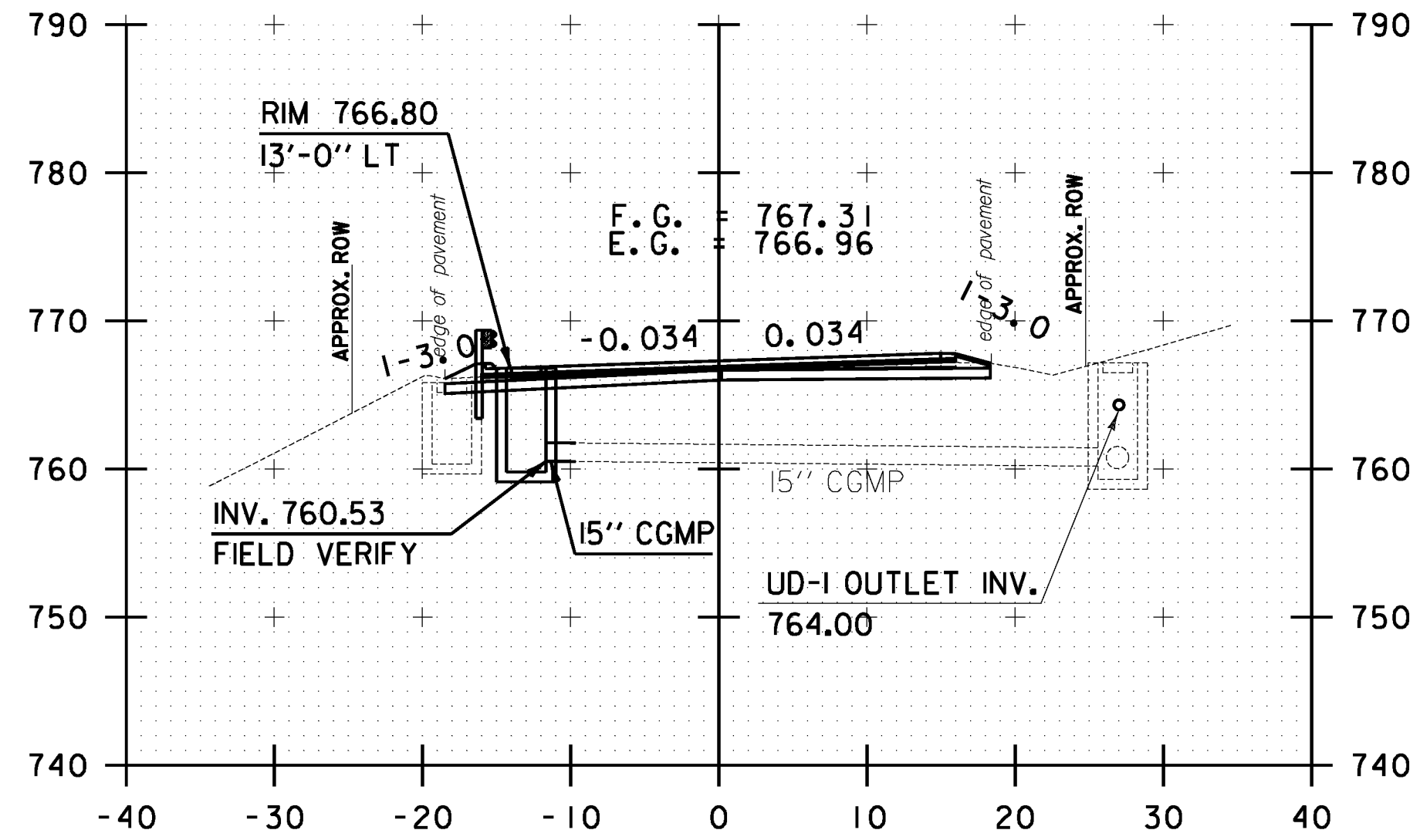
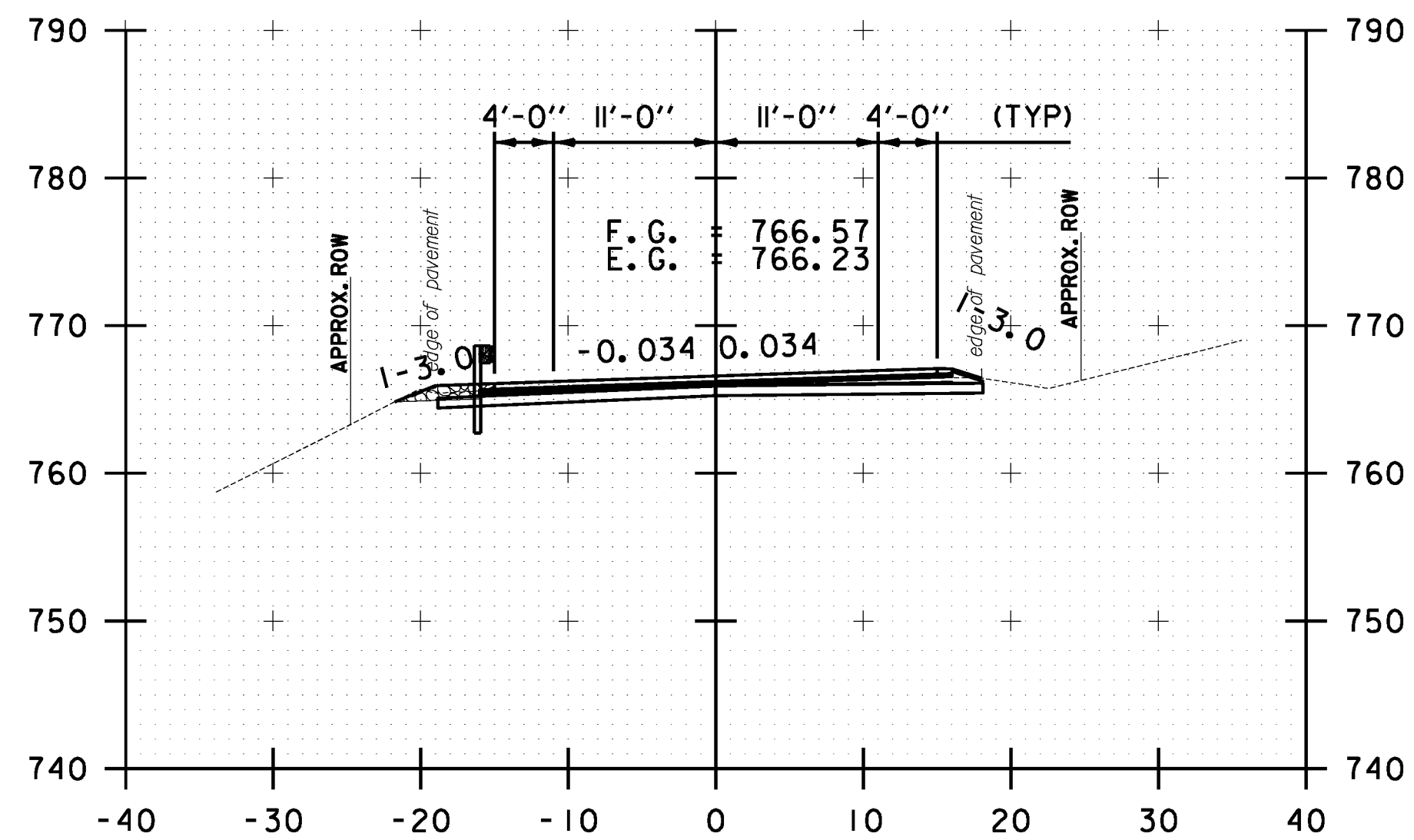


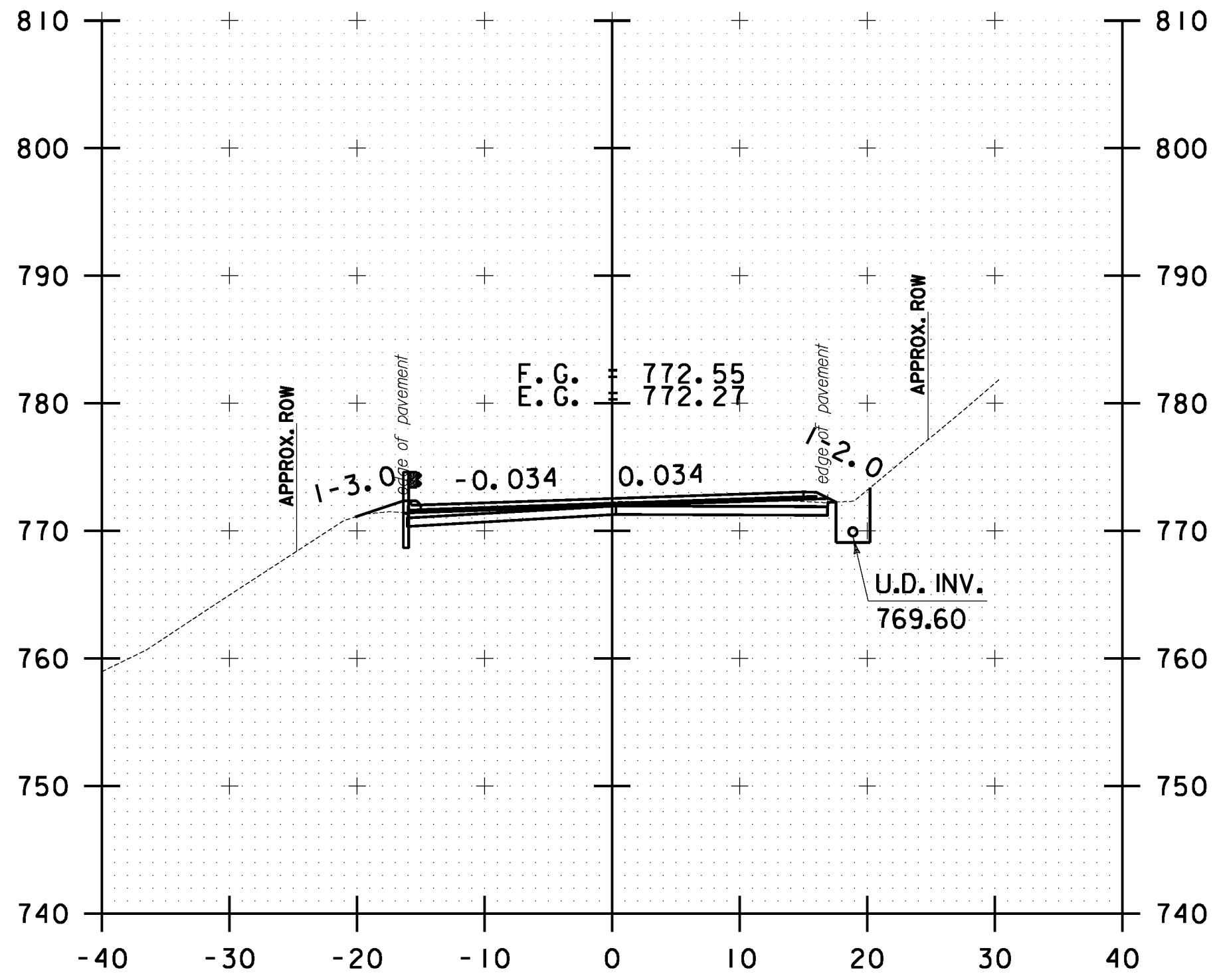
FILE NAME = V:\P\c\res\any\k2\22425\CA001\MSTN18b214\_stock.nc.dgn  
 DATE/TIME = 3/17/2014  
 USER = 4916



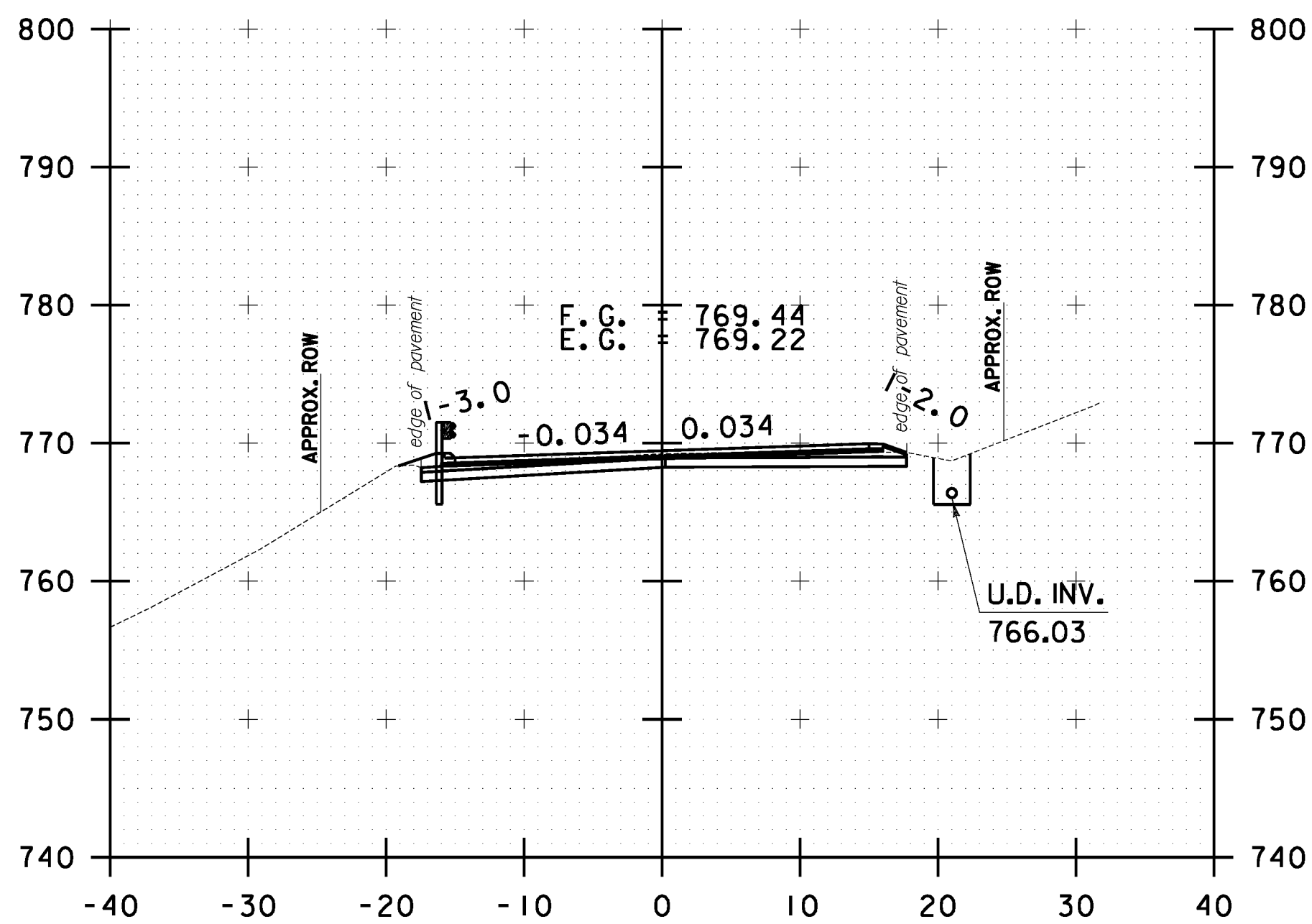
17+13.10



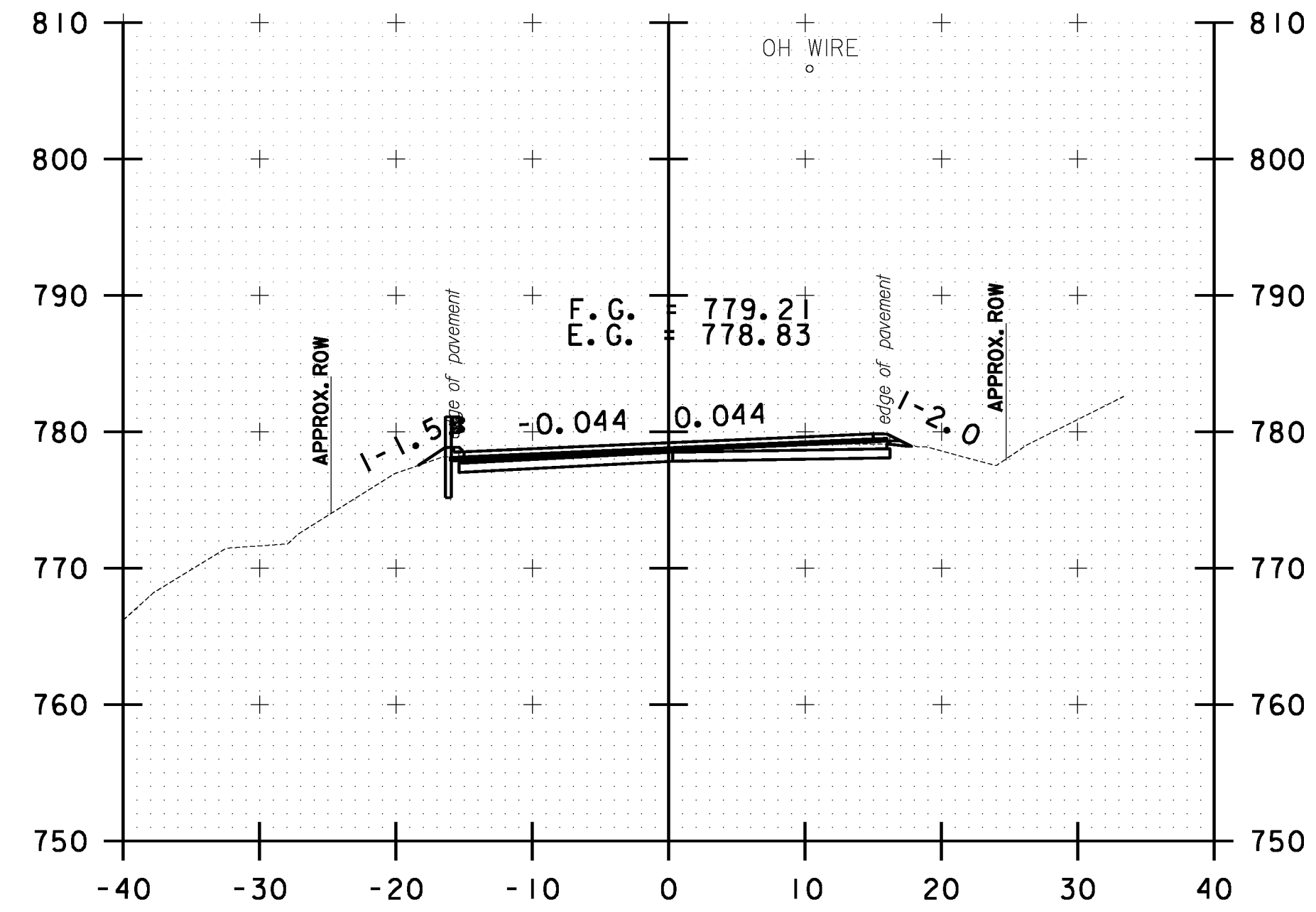
17+00.00



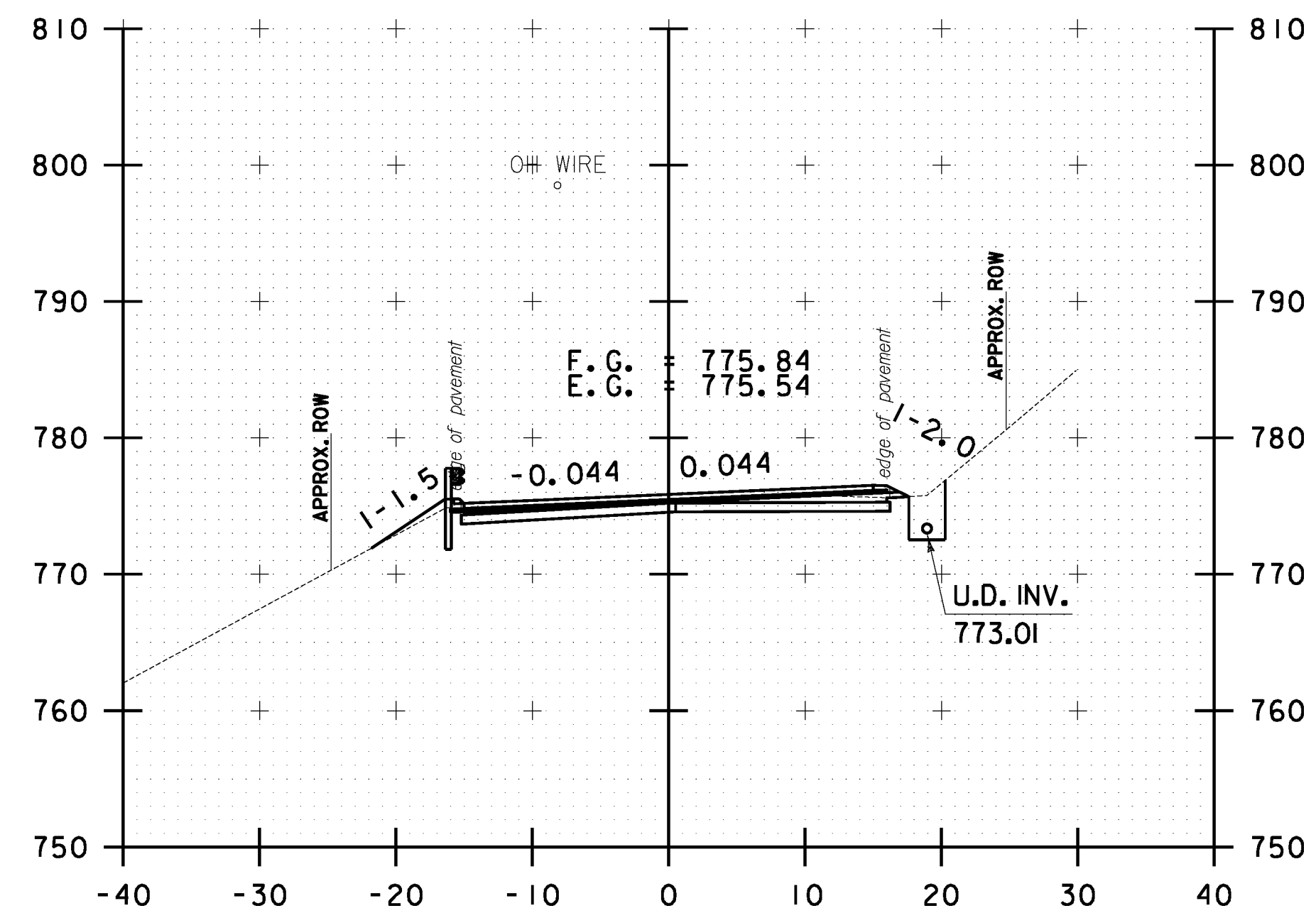
18+00.00



17+50.00



19+00.00



18+50.00



**STOCKBRIDGE  
 CROSS SECTION  
 SHEET #6**

PROJECT NAME: STOCKBRIDGE-BETHEL

PROJECT NUMBER: STP 2910(1)

FILE NAME: z10b214\_stock.nc.dgn

PROJECT LEADER: D.E.G.

DESIGNED BY: L.M.B.

IPARM FILE: z10b214xs6.1

PLOT DATE: 3/17/2014

DRAWN BY: W.G.P.

CHECKED BY: J.P.S.

SHEET 219 OF 397